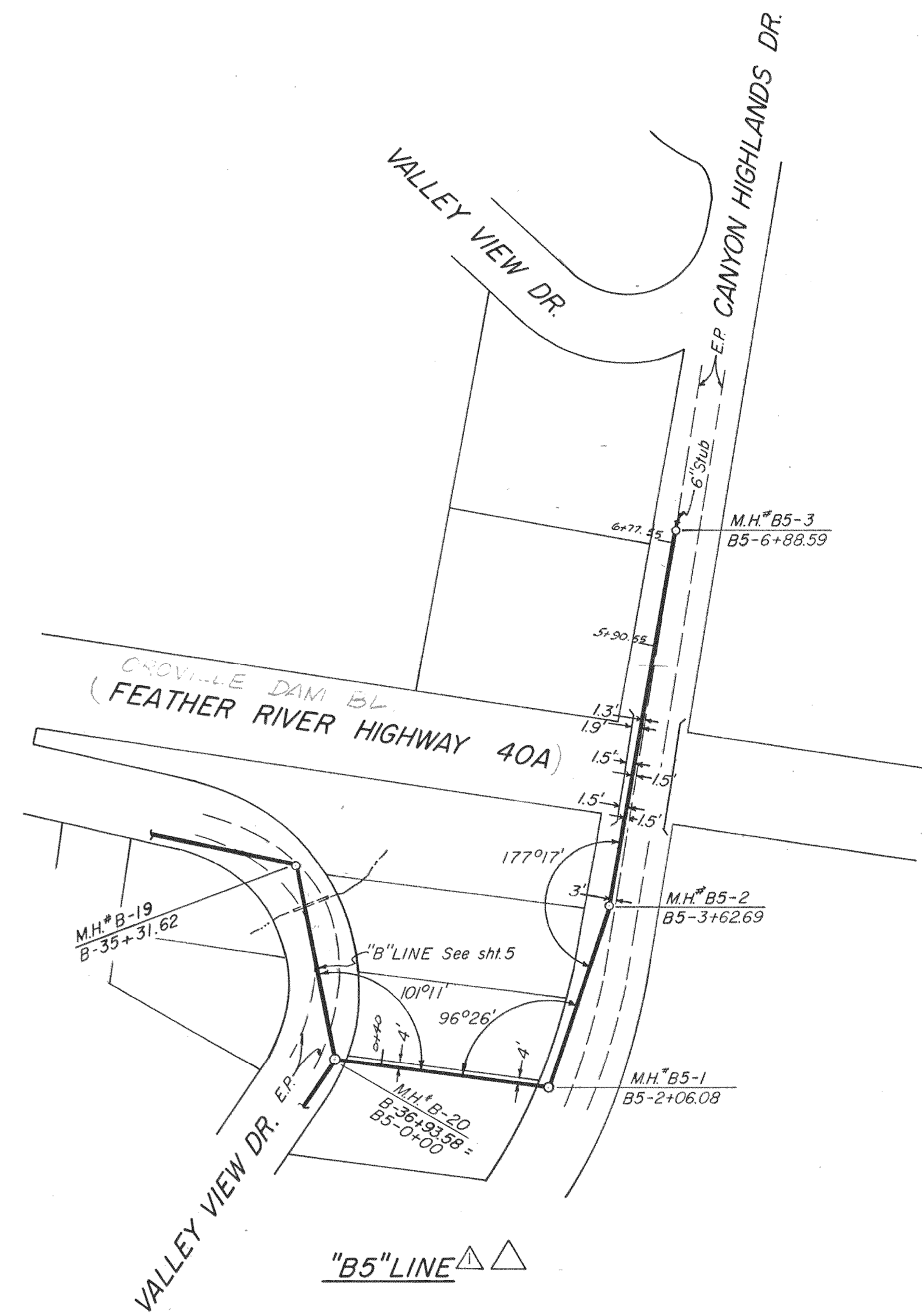
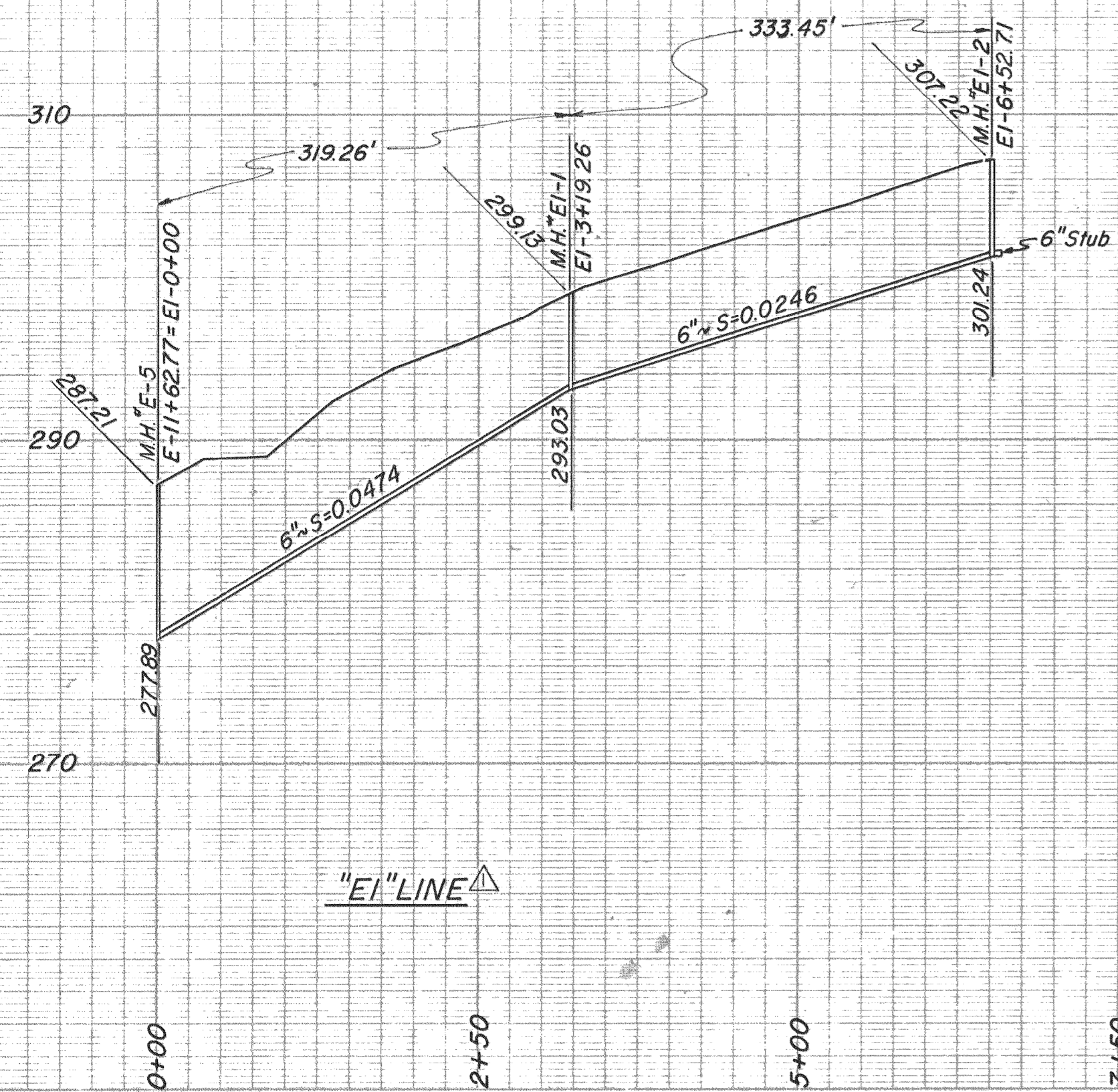


"E1" LINE $\triangle \triangle$

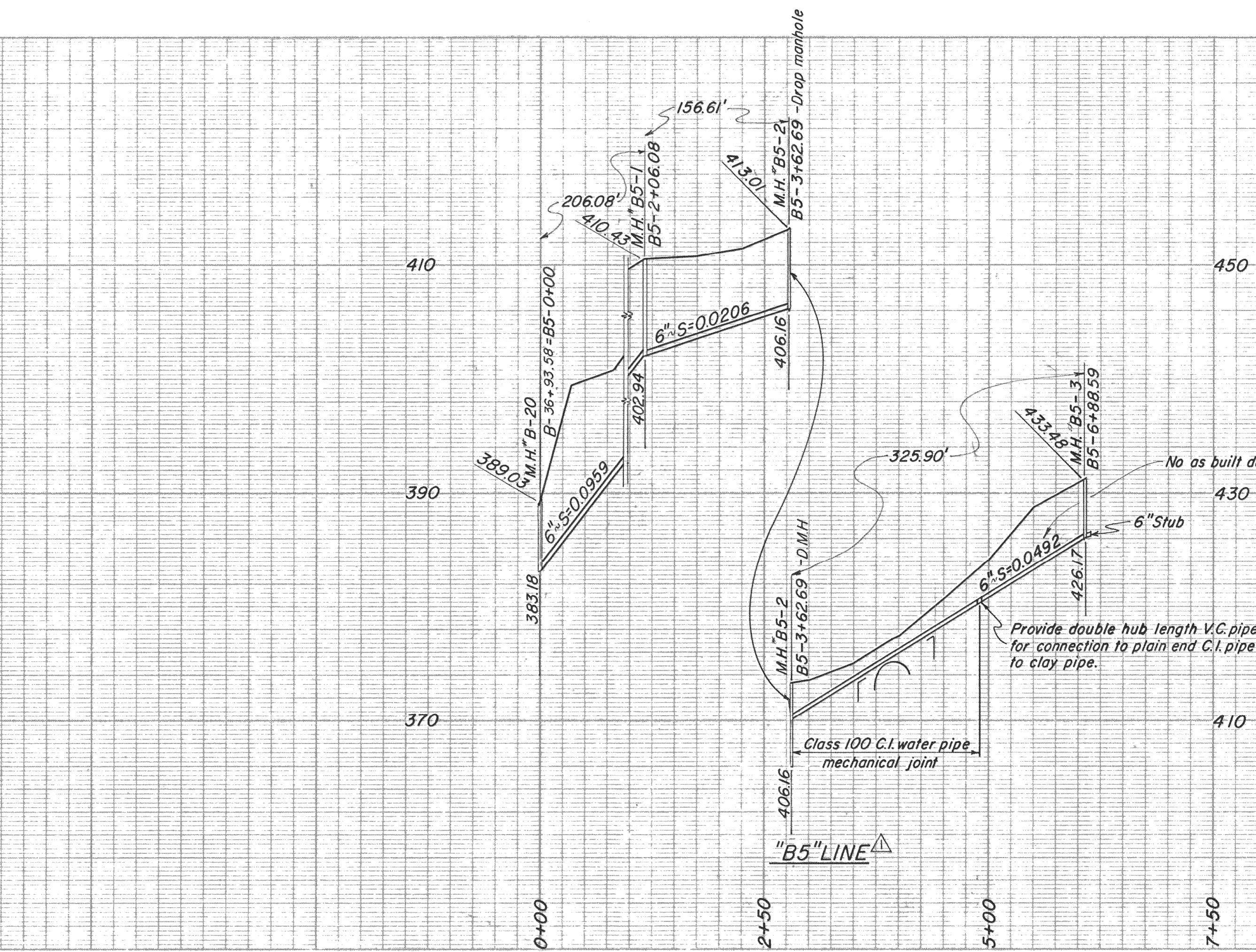
Scales:
Horizontal: 1"=100'
Vertical: 1"=8'



"B5" LINE $\triangle \triangle$

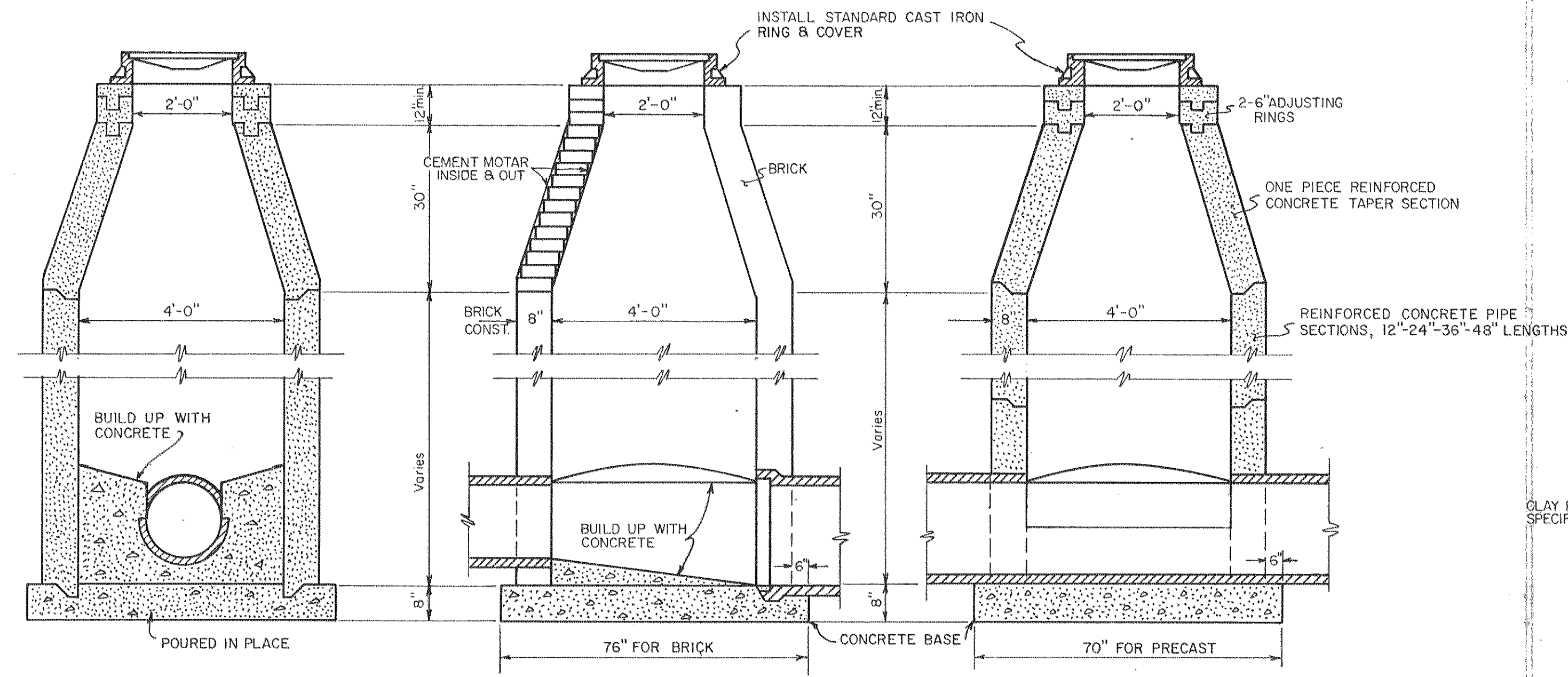


"E1" LINE $\triangle \triangle$



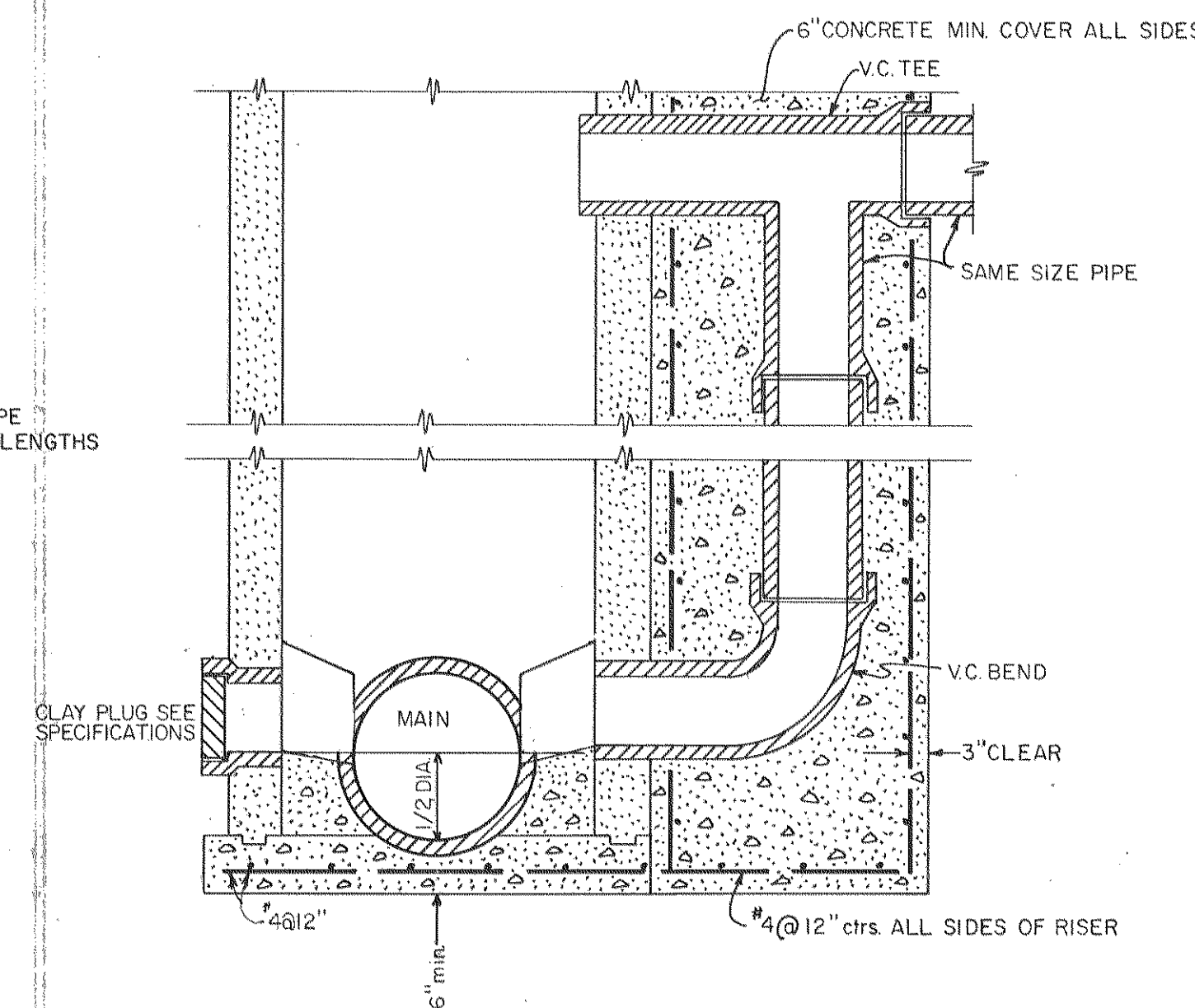
"B5" LINE $\triangle \triangle$

| AS BUILT | | |
|--|-------------------------------------|--------------|
| 33062 | Added Laterals | BAB |
| AB 11359 | Revised entire "E1" & "B5" lines | LRK |
| REV. DATE | DESCRIPTION | BY APP. |
| FEATHER PORTALS ASSESSMENT DISTRICT OROVILLE, CALIFORNIA | | |
| SANITARY SEWER SYSTEM PLAN & PROFILE "E1" & "B5" LINES | | |
| SANITARY AND CIVIL ENGINEERS - SACRAMENTO, CALIFORNIA | | |
| DRAWN: L.R.K. | SUBMITTED: <i>Edwin R. Stappell</i> | SHEET NO. 10 |
| CHECKED: N.E.W. | APPROVED: <i>R. J. Carpenter</i> | OF 11 |
| DATE: March '59 | | |



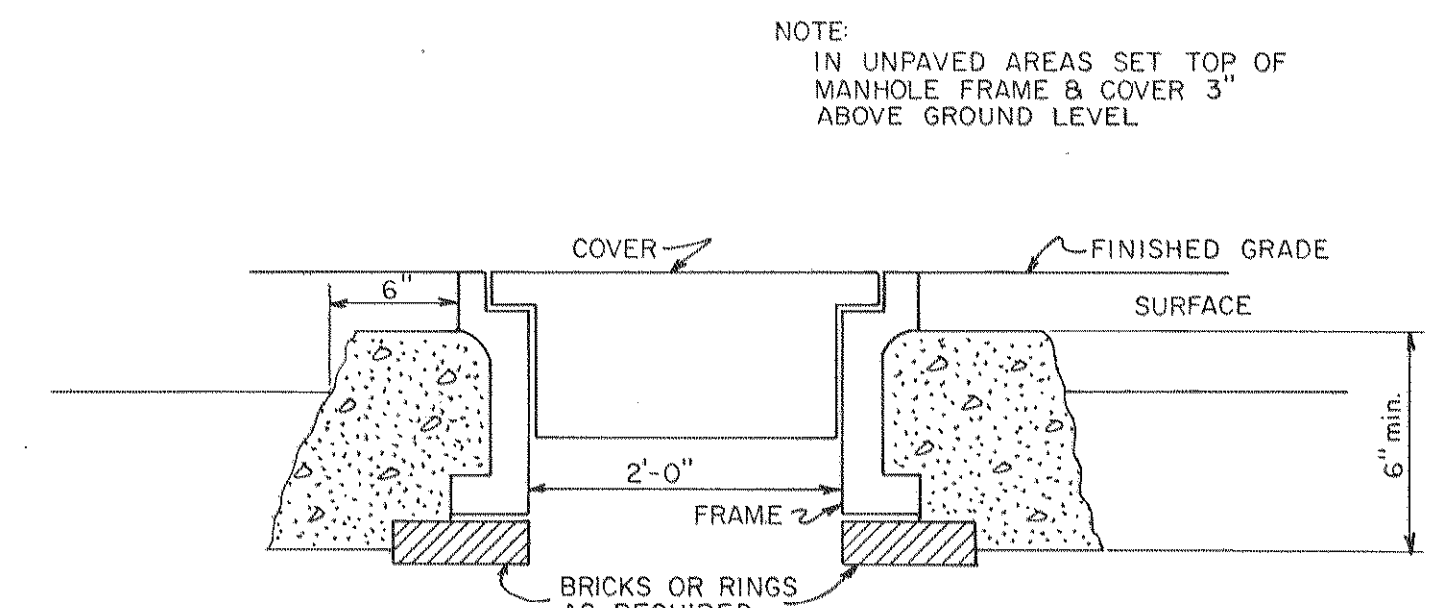
STANDARD MANHOLES PRECAST CONCRETE OR BRICK

NO SCALE



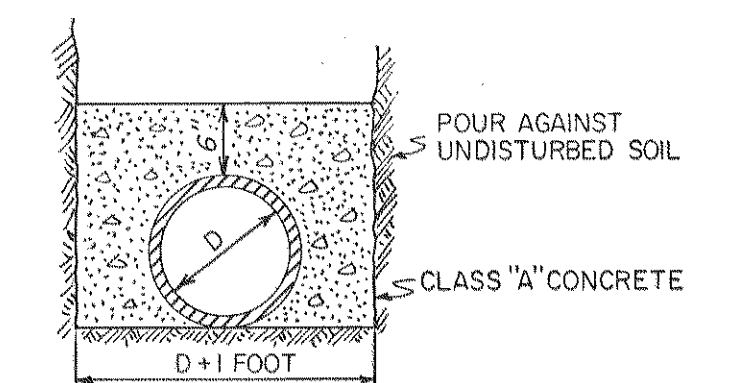
TYPICAL STUB & DROP MANHOLE

NO SCALE



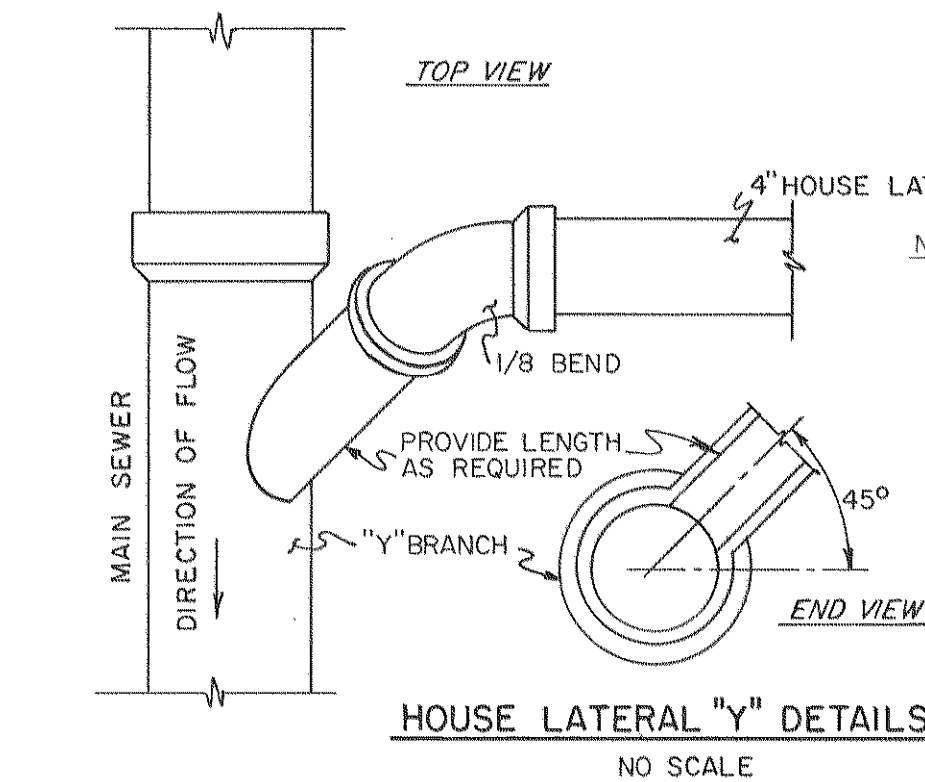
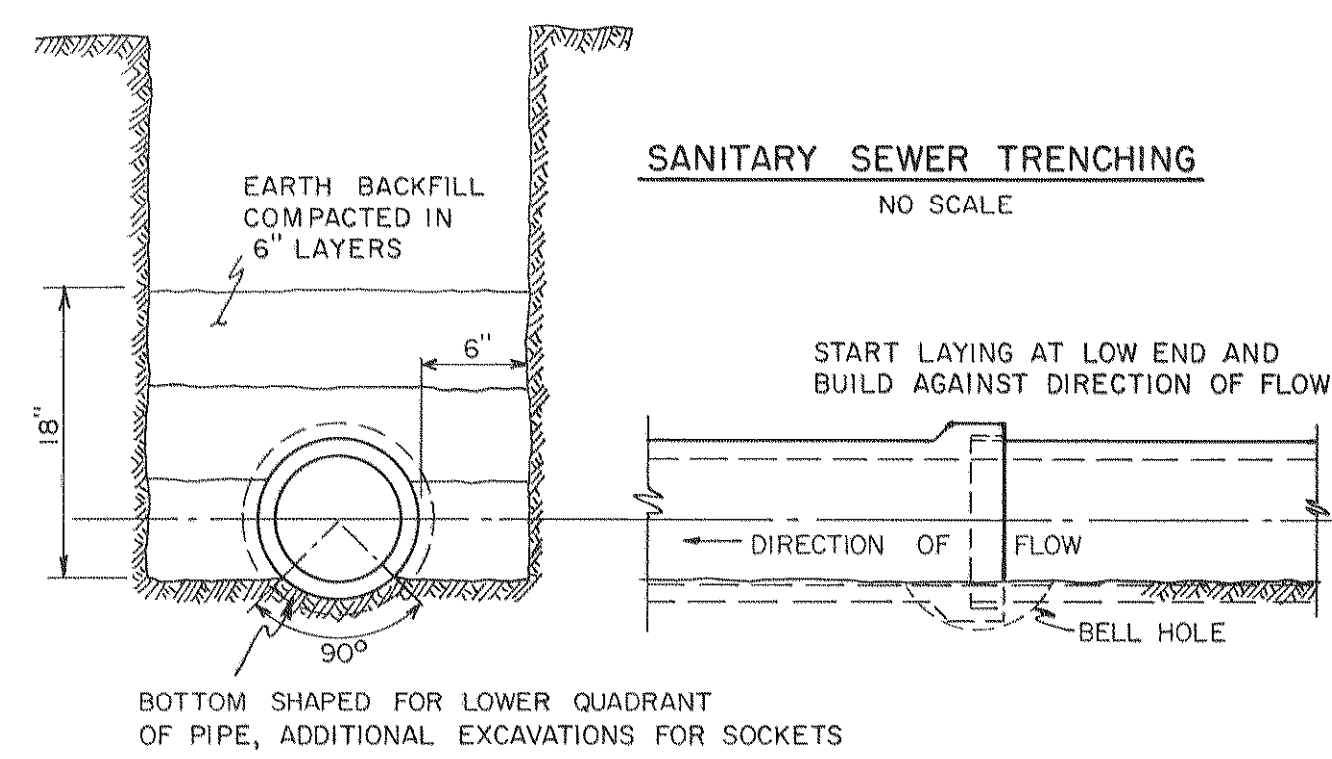
METHOD OF SETTING MANHOLE RING & COVER

NO SCALE

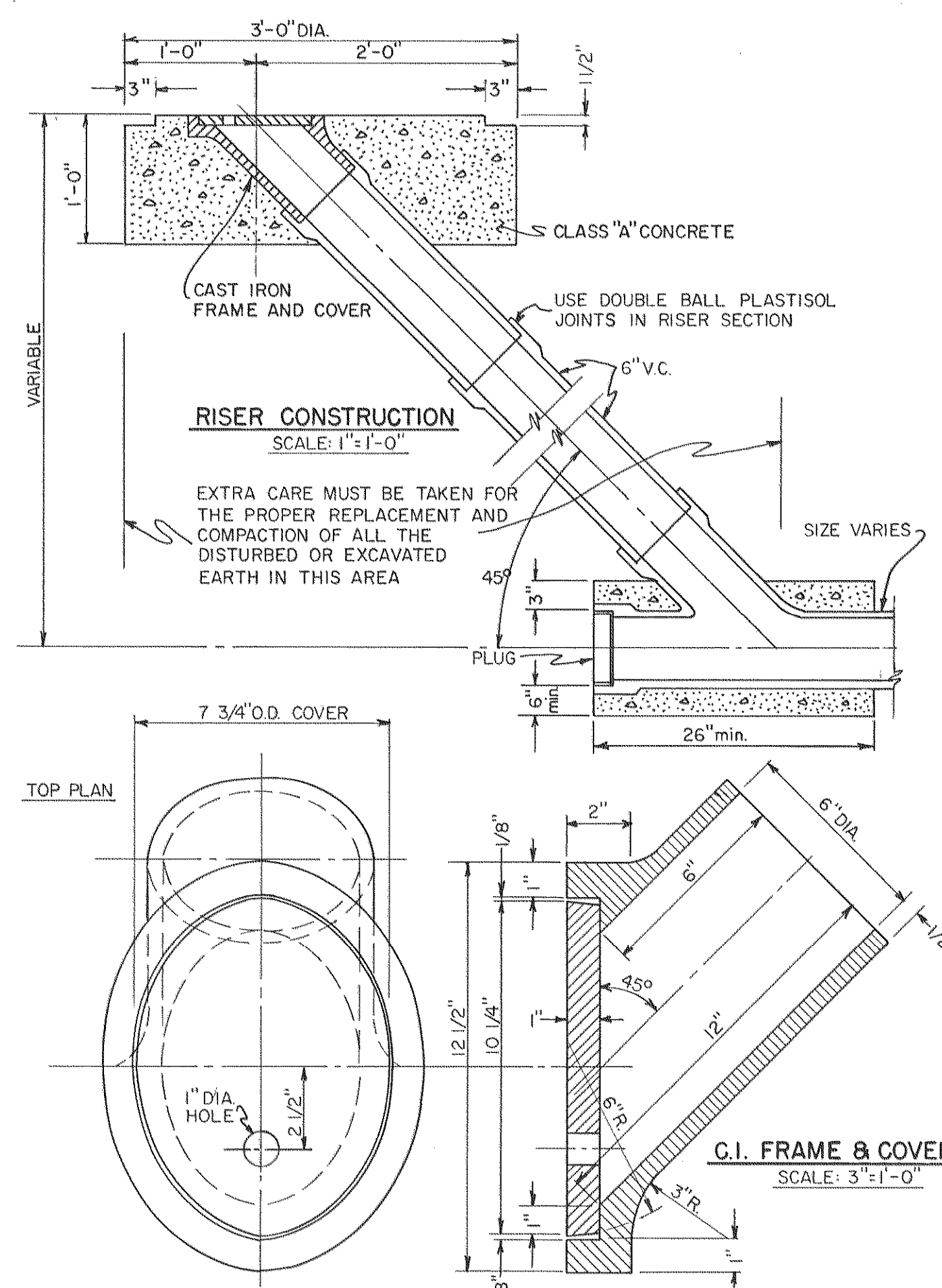


PIPE ENCASEMENT

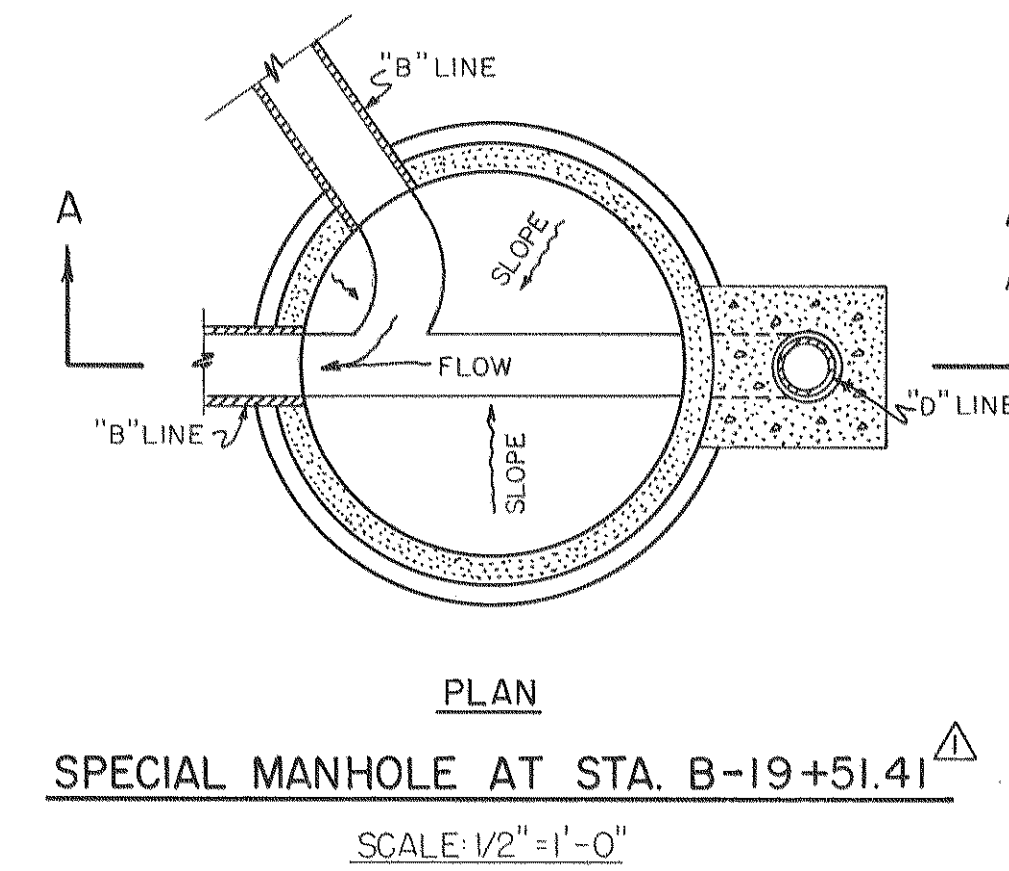
NO SCALE



Note: Wyes & service lines to be installed in locations as directed.

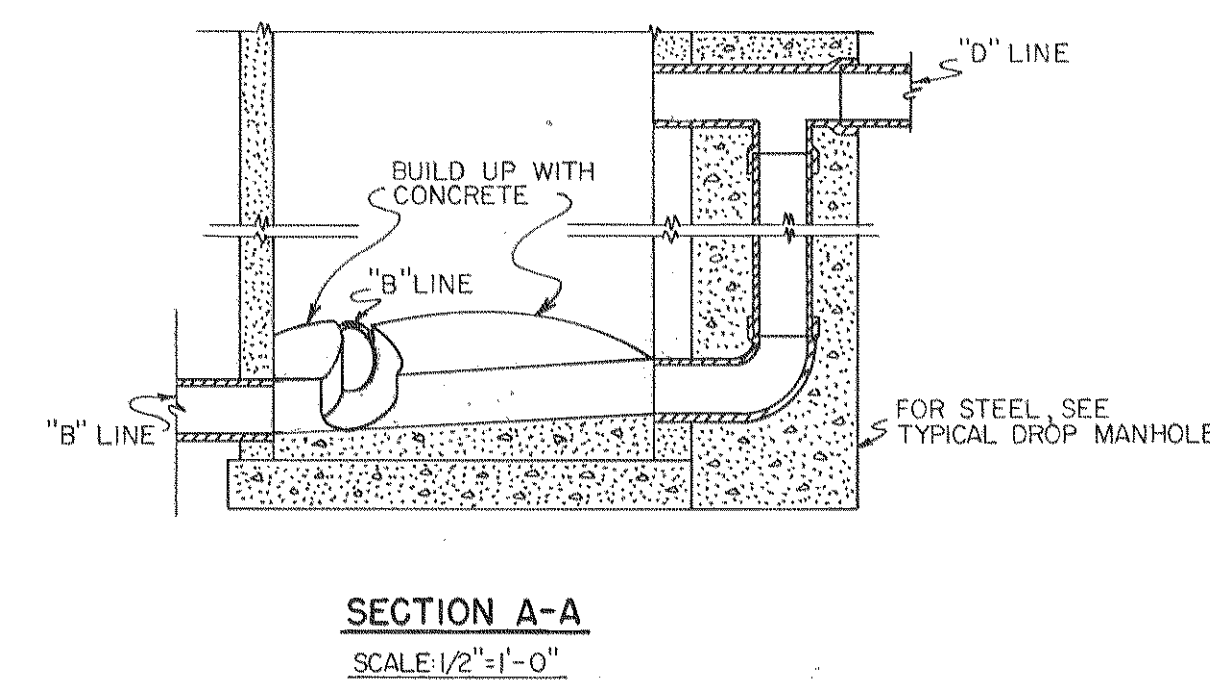


CITY OF OROVILLE STANDARD S 28



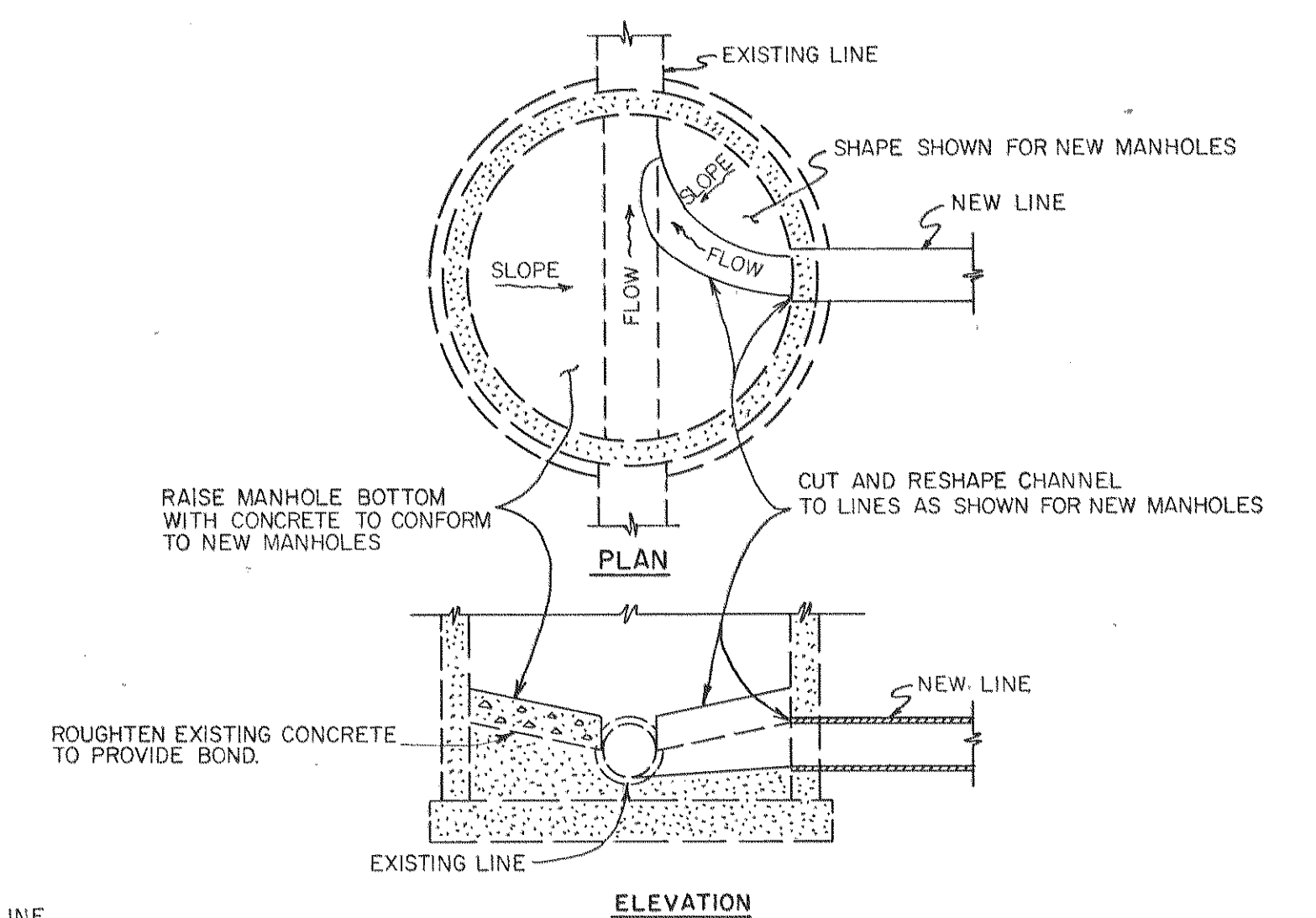
SPECIAL MANHOLE AT STA. B-19+51.41

SCALE: 1/2"=1'-0"



SECTION A-A

SCALE: 1/2"=1'-0"



MODIFICATION EXISTING MANHOLES

SCALE: 1/2"=1'-0"

AS BUILT

| | | |
|--|--------------------|-------------|
| AB 11359 | Revised stationing | LRK |
| REV. | DATE | DESCRIPTION |
| FEATHER PORTALS ASSESSMENT DISTRICT OROVILLE, CALIFORNIA | | |
| SANITARY SEWER SYSTEM | | |
| MISCELLANEOUS DETAILS | | |
| DEWANTE AND STOWELL SANITARY AND CIVIL ENGINEERS - SACRAMENTO, CALIFORNIA | | |
| DRAWN: L.R.K. | SUBMITTED: | SHEET NO. |
| CHECKED: NEW | APPROVED: | 11 |
| DATE: March '59 | | OF 11 |