

SHEET INDEX

SHEET NUMBER	DESCRIPTION
1	LOCATION MAPS, SHEET INDEX
2	CONSTRUCTION DETAILS
3	PLAN-PROFILE
THRU 70 (INCLUDING 70)	PLAN-PROFILE
75, 80	PUMP STATION DETAILS, ELECTRICAL DETAILS
APPENDUM 75, 80	PUMP STATION ELECT SERVICE & CONTROL DETS.

SUBMITTED
Eugene A. Ringel
 EUGENE A. RINGEL, R.C.E. #28
 DISTRICT ENGINEER

APPROVED
Elden Brown
 ELDEN BROWN, CHAIRMAN
 THERMALITO IRRIGATION DISTRICT
 BOARD OF DIRECTORS

..... = EXIST'G SEWER (PHASE I) (OR UNDER CONSTRUCTION)
 34 = SHEET NO
 10 = LIFT STATIONS

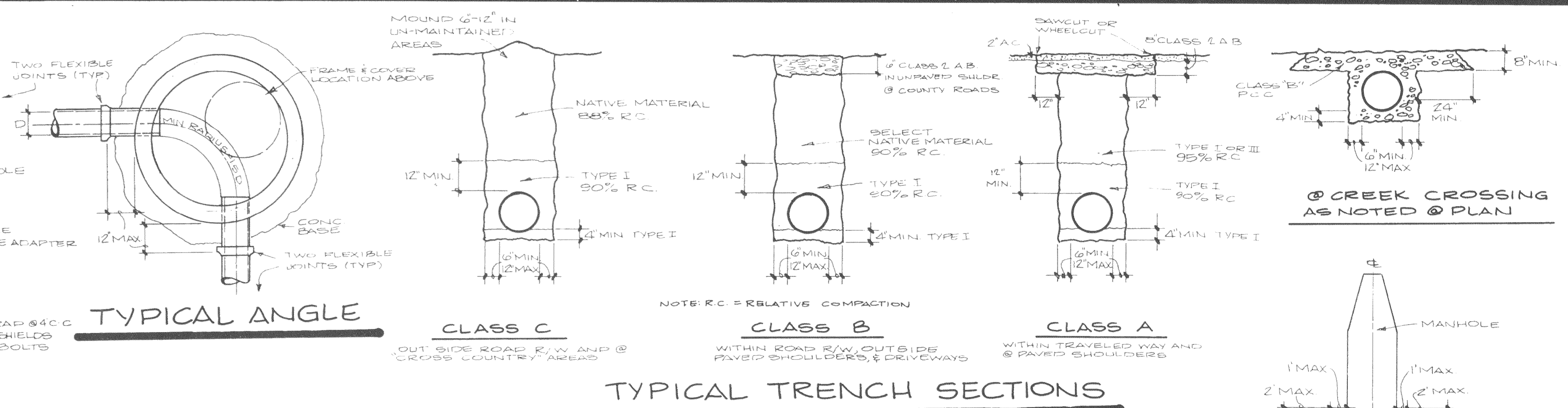
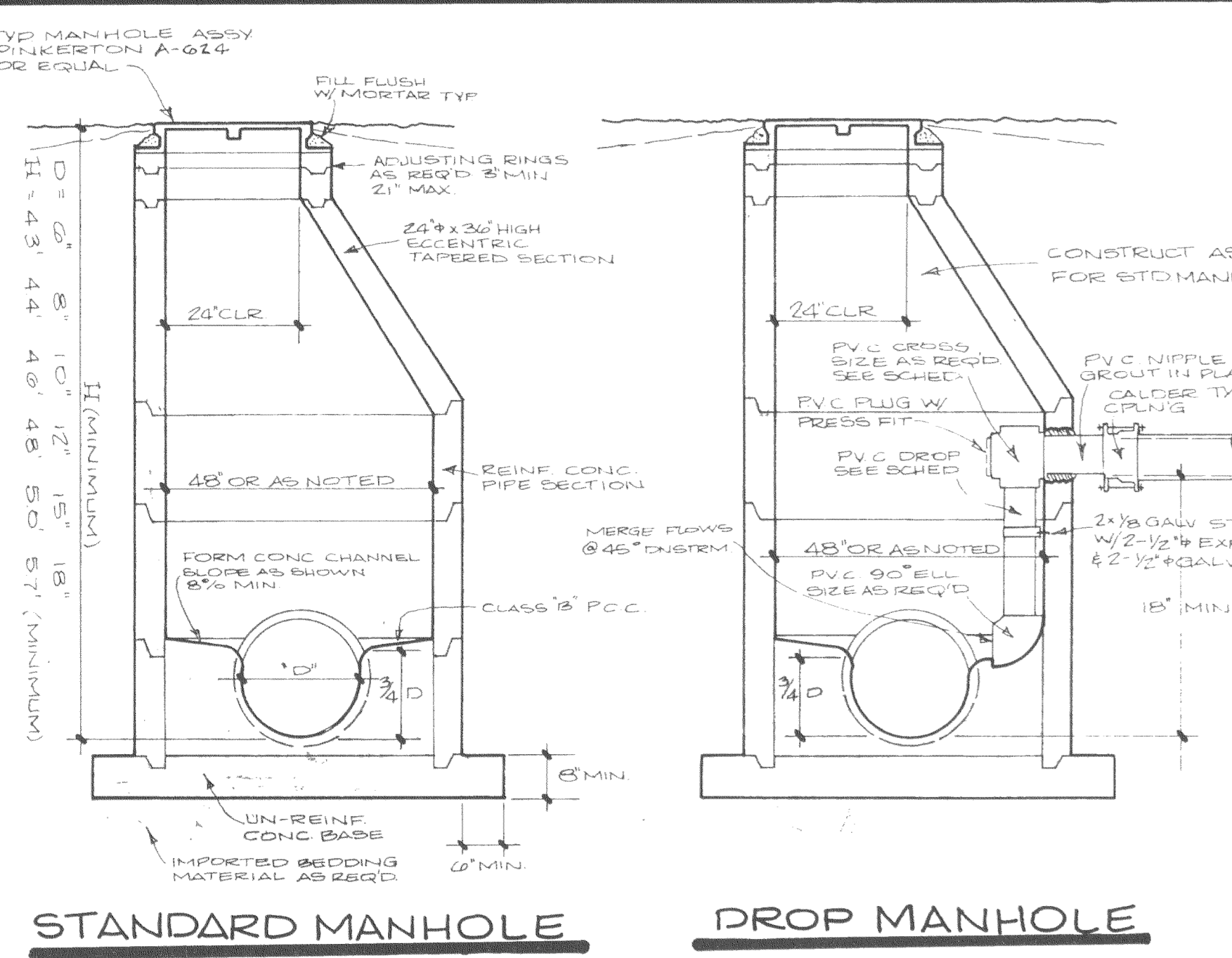
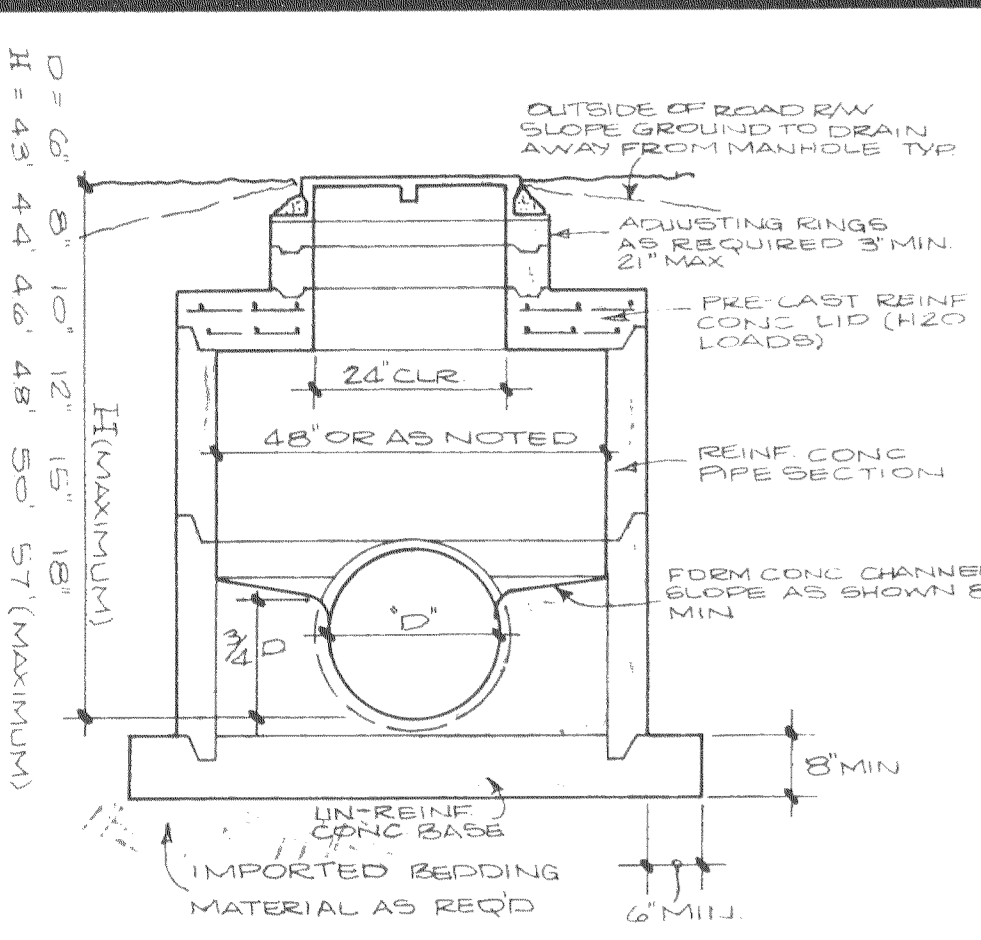
KEY MAP
 CONTOUR INTERVAL = 4'

	DESIGN: LENS	DATE: 2.75				
	DRAWN: K. TANAKA	DATE: 2.75				
	CHECKED: E.A.R.	DATE: 5.75				
	APPROVED: E.A.R.	DATE: 5.75				
	NO.	DATE	REVISION	BY	APPD.	

**THERMALITO IRRIGATION DISTRICT
 SANITARY SEWER SYSTEM
 COUNTY SERVICE AREA 26**

LOCATION MAPS AND SHEET INDEX

SHEET NO. 1
 OF SHEETS
 PROJECT NO.



SHALLOW MANHOLE

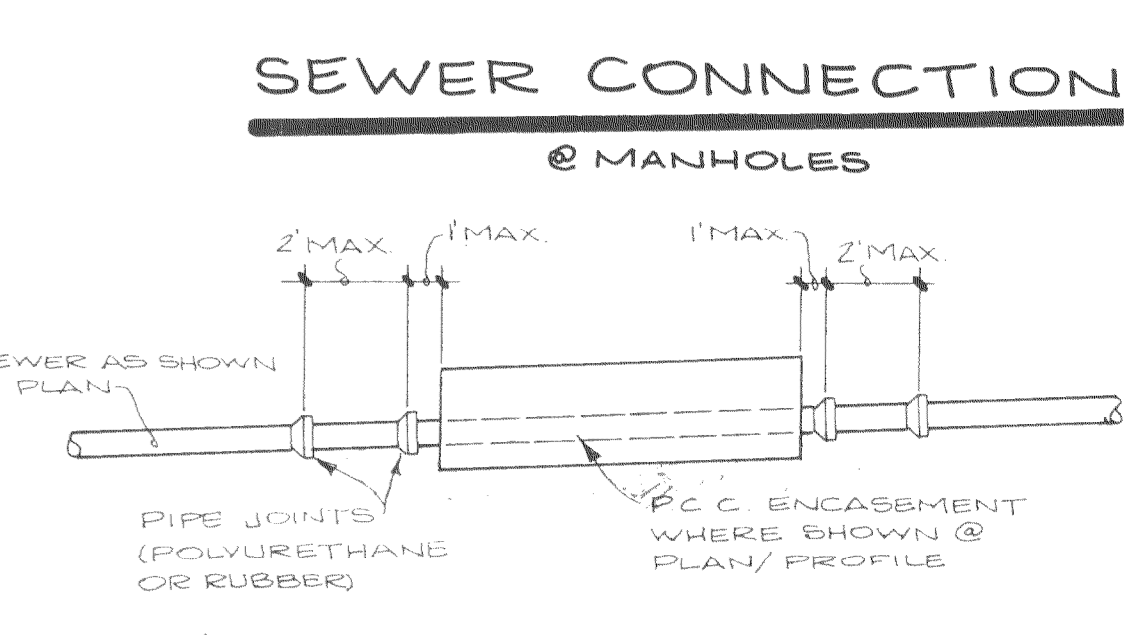
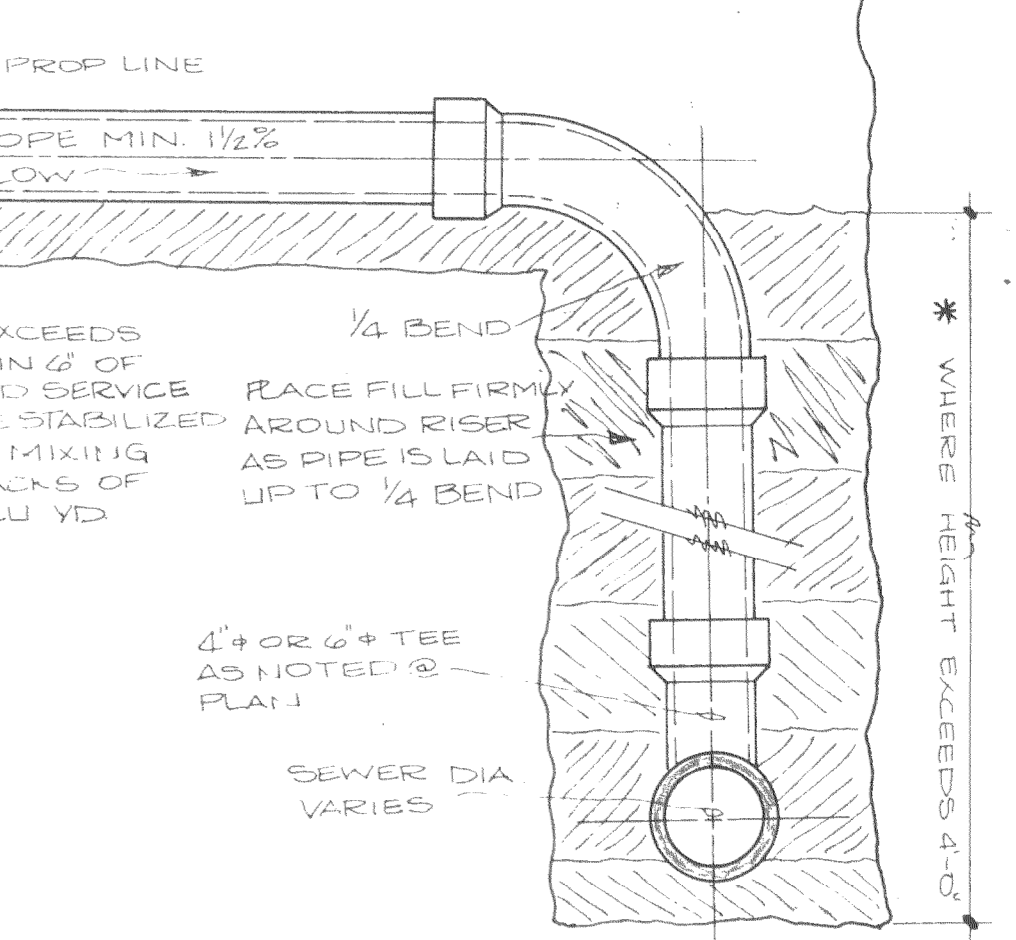
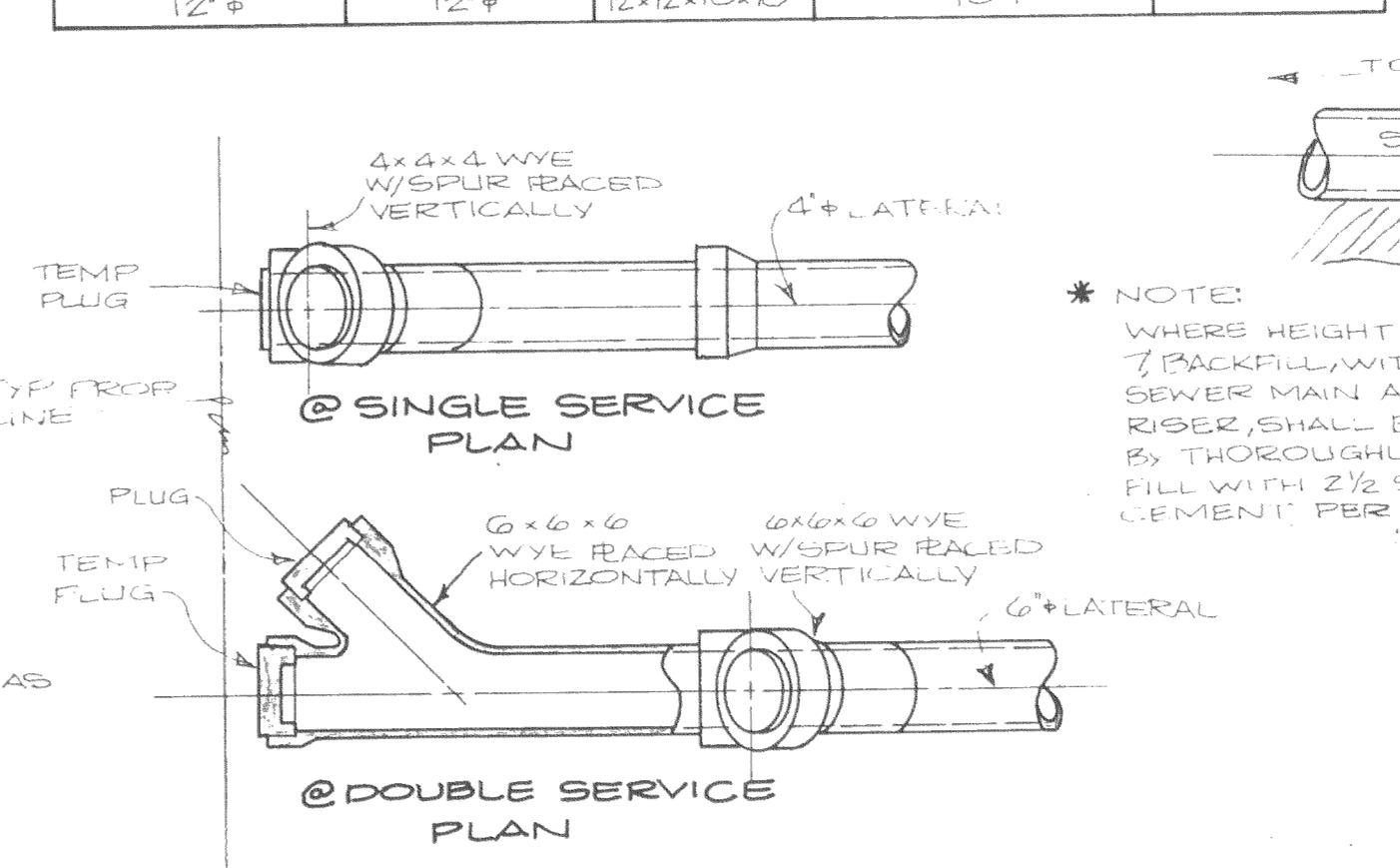
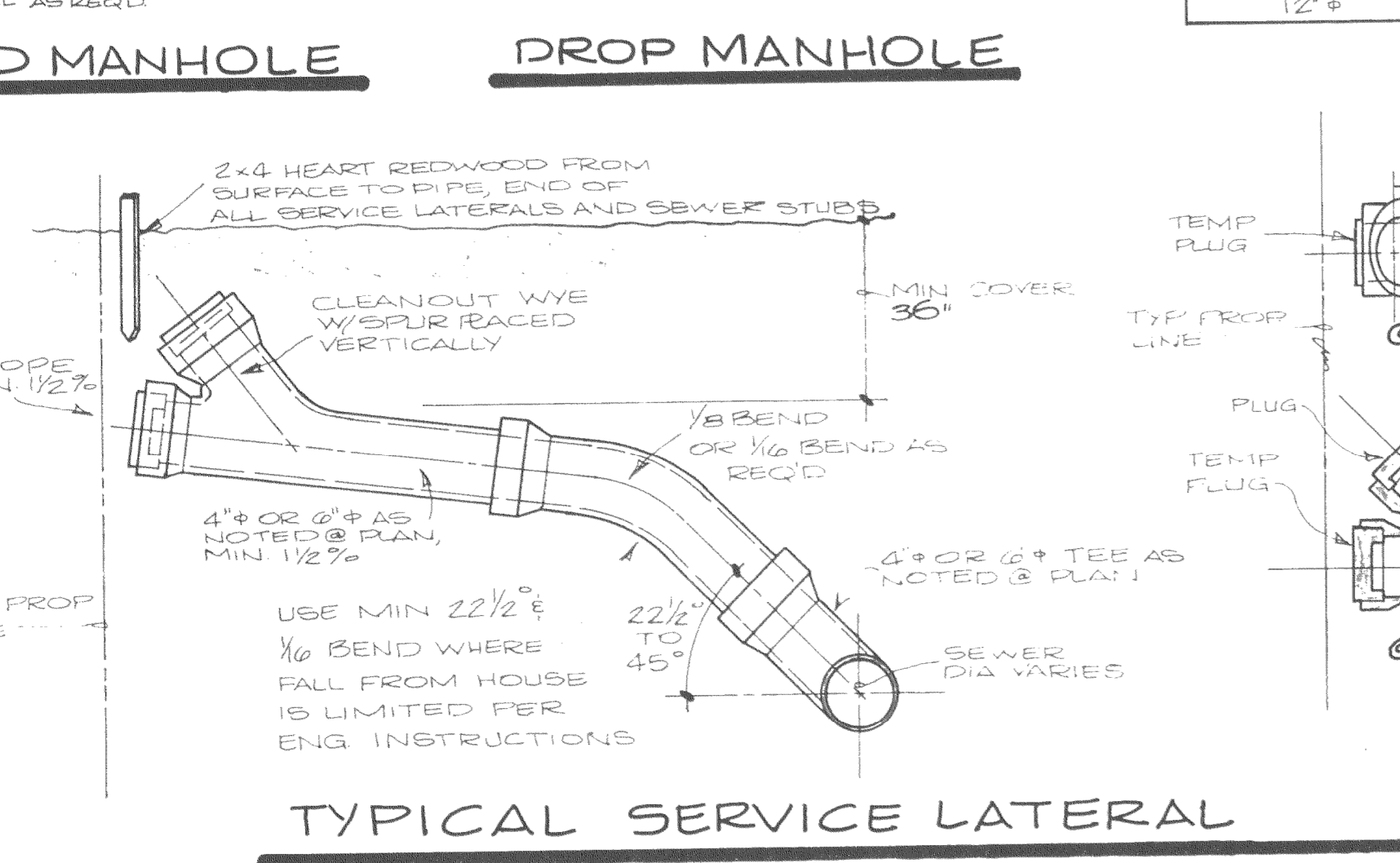
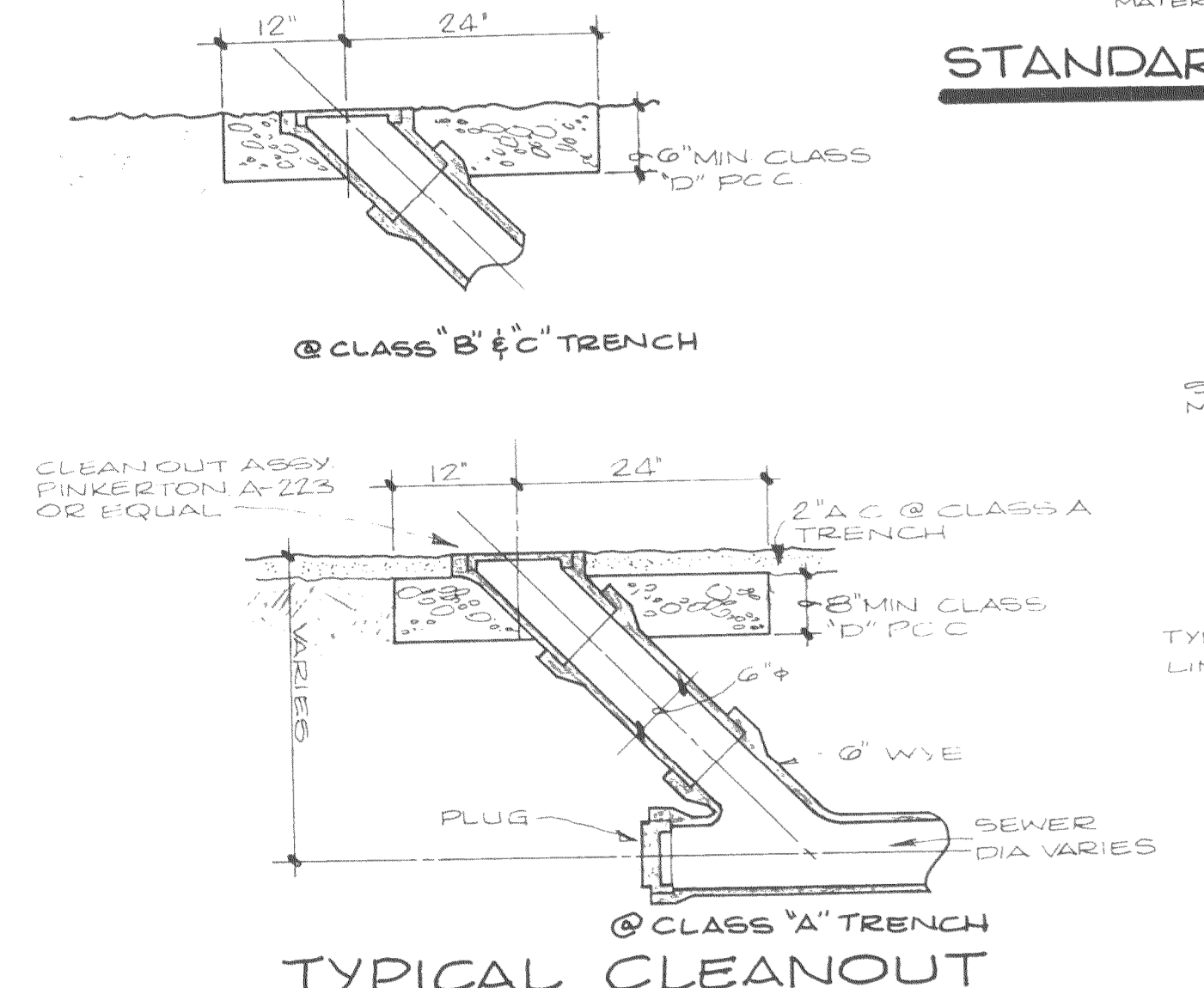
STANDARD MANHOLE

DROP MANHOLE

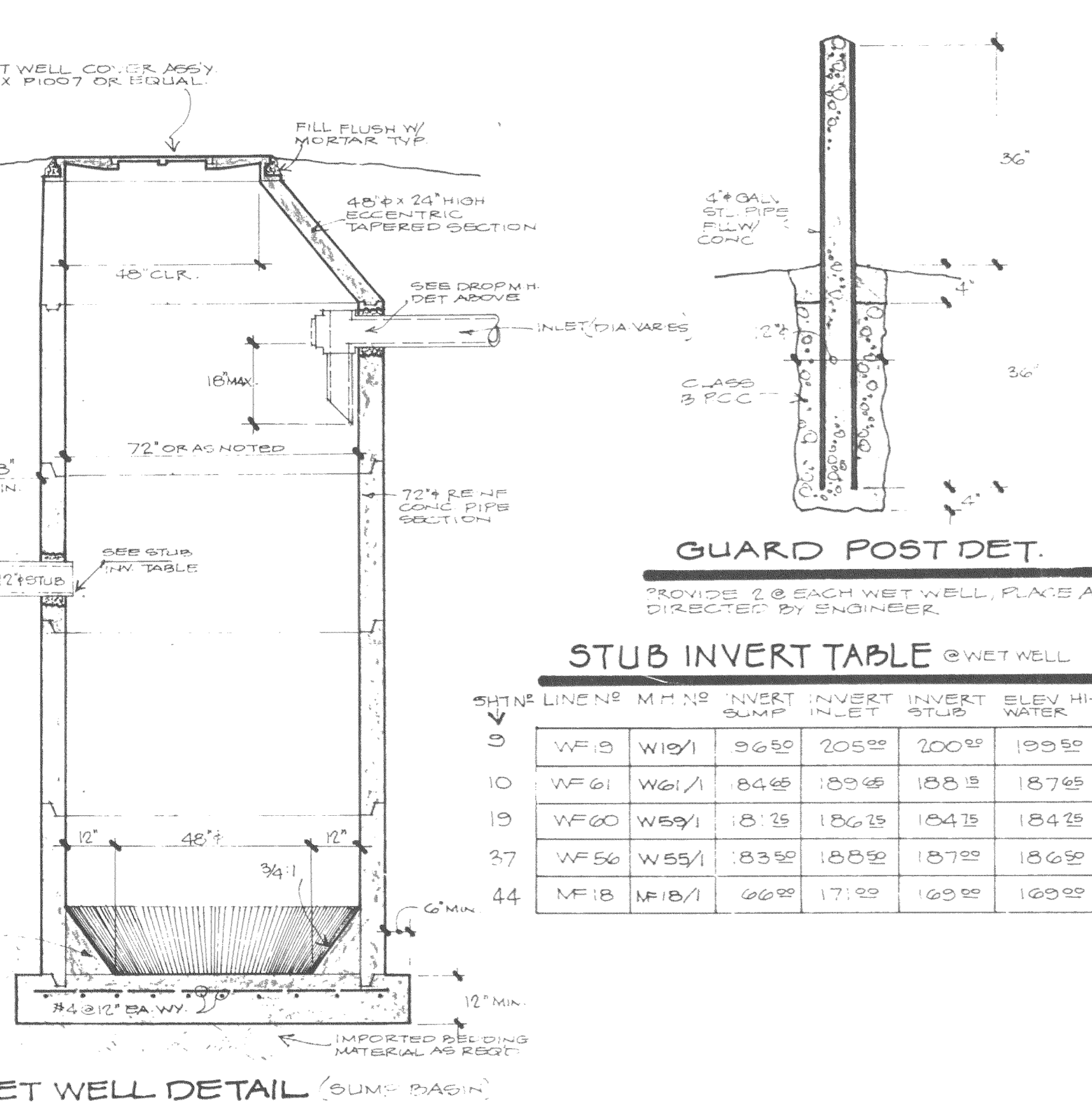
DROP SCHEDULE

INLET SEWER DIAMETER	PVC NIPPLE DIAMETER	CROSS SIZE	DROP DIAMETER	90° ELL DIAMETER
6"	6"	2x2x2	6"	6"
8"	8"	2x2x2	8"	8"
10"	10"	2x2x2	10"	10"
12"	12"	2x2x2	12"	12"

TYPICAL TRENCH SECTIONS @ TRUNKS & COLLECTORS

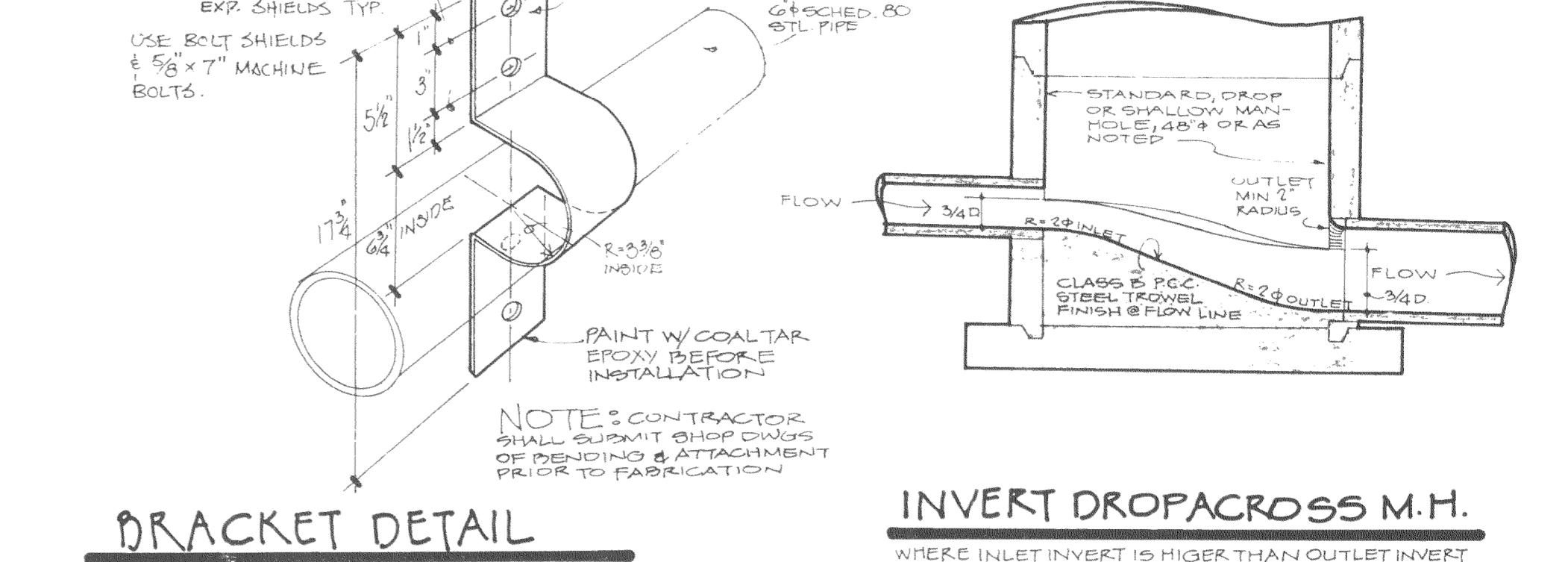
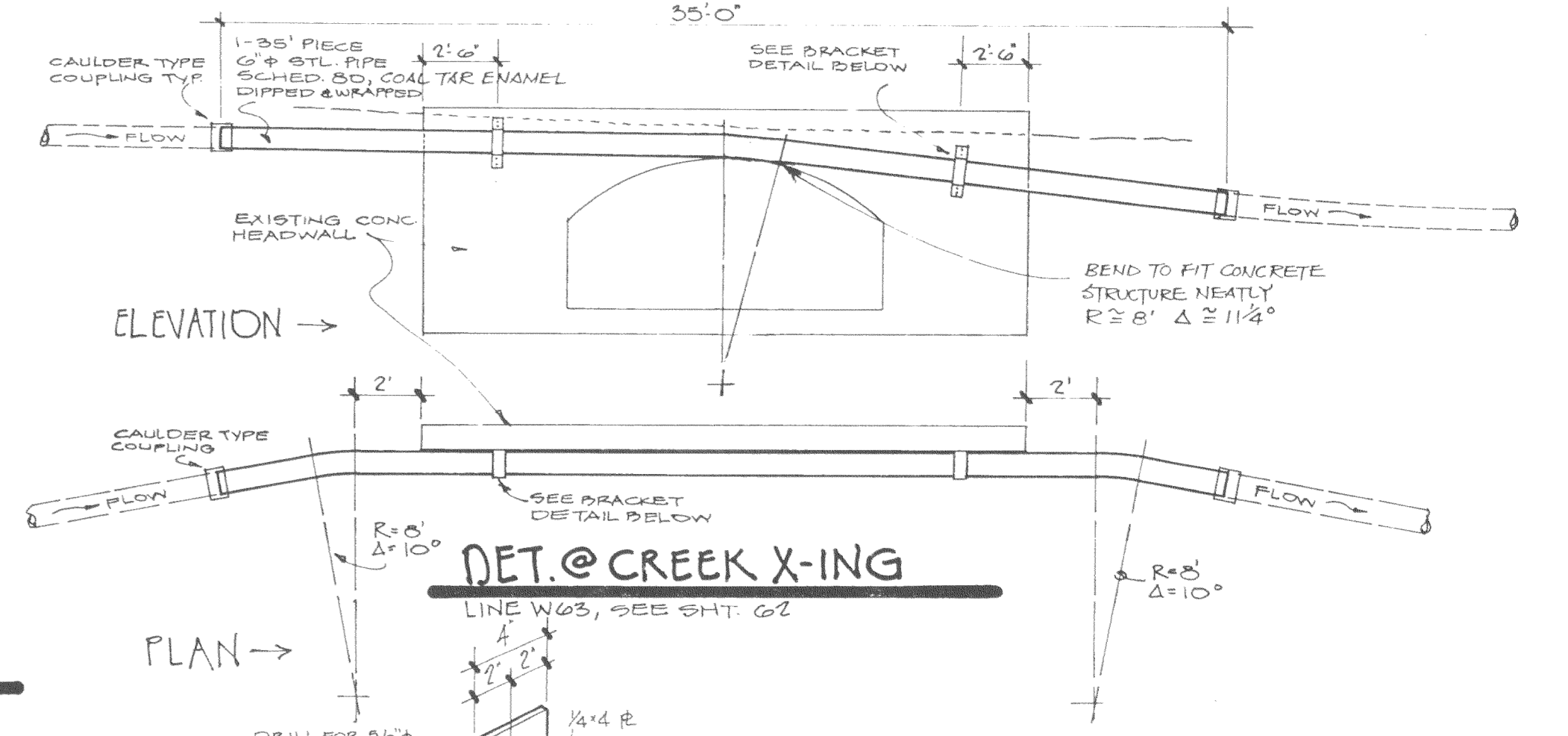


- LEGEND**
- ABS = ACRYLONITRILE BUTADIENE STYRENE PIPE
 - PVC = POLYVINYL CHLORIDE PIPE
 - VCP = VITRIFIED CLAY PIPE
 - ACP = ASBESTOS CEMENT PIPE
 - PCC = PORTLAND CEMENT CONCRETE
 - EOL = END OF LINE
 - COTG = CLEANOUT TO GRADE
 - W = WATER LINE
 - GAS SERVICE = GAS LINE
 - MIN. WELLS = MANHOLE WITH LINE NO. MANHOLE NO. (OR CLEANOUT AS NOTED)
 - SERVICE LATERALS/SEPTIC TANK AND LINES & NOTES OF HOUSE LATERAL SPREADS/SEPTIC TANK LOCATION NOT KNOWN AT THIS TIME
 - SEWER AS NOTED @ PROFILE
 - PIPE INVERT
 - MIN. OR GRADE CHANGE
 - FORCE MAIN

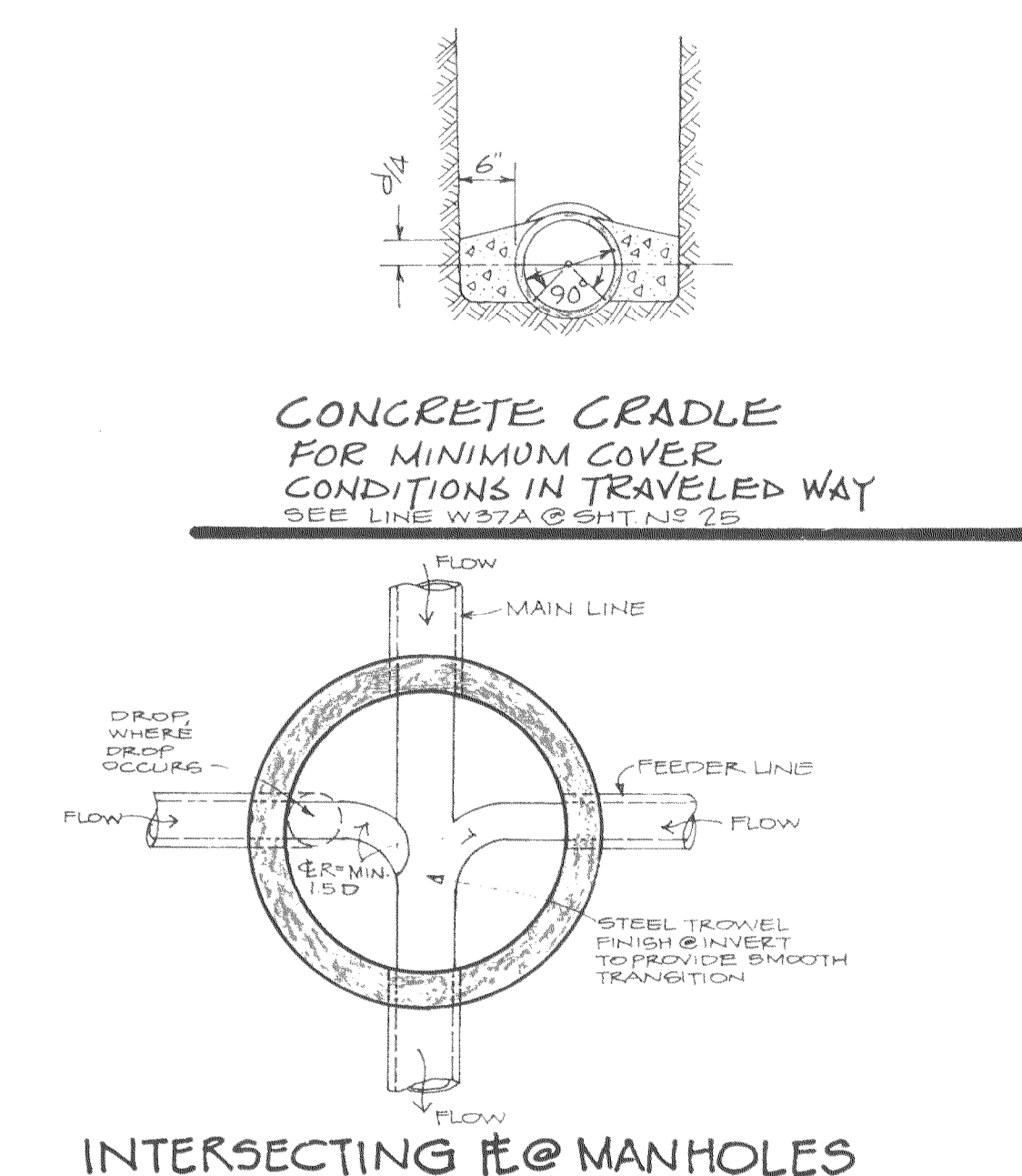


STUB INVERT TABLE @ WET WELL

SHINE LINE #	M.M. NO.	INVERT	INVERT	INVERT	ELEV. HI. WATER	
5	WF18	W19/1	86.59	205.92	200.92	199.92
10	WF61	W61/1	84.65	189.45	188.15	187.05
19	WF60	W59/1	83.75	186.15	184.15	184.15
37	WF56	W55/1	83.52	185.92	187.92	186.92
44	MF18	MF18/1	66.92	171.92	169.92	169.92



BEDDING & BACKFILL GRADATION



RINGEL & ASSOCIATES INC.

DESIGN: ENVS DATE: 2-74

DRAWN: DIANE

CHECKED:

APPROVED:

NO.	DATE	REVISION	BY	APPD.

THERMALITO IRRIGATION DISTRICT

SANITARY SEWER SYSTEM

COUNTY SERVICE AREA 26

CONSTRUCTION DETAILS

SHEET NO. 2

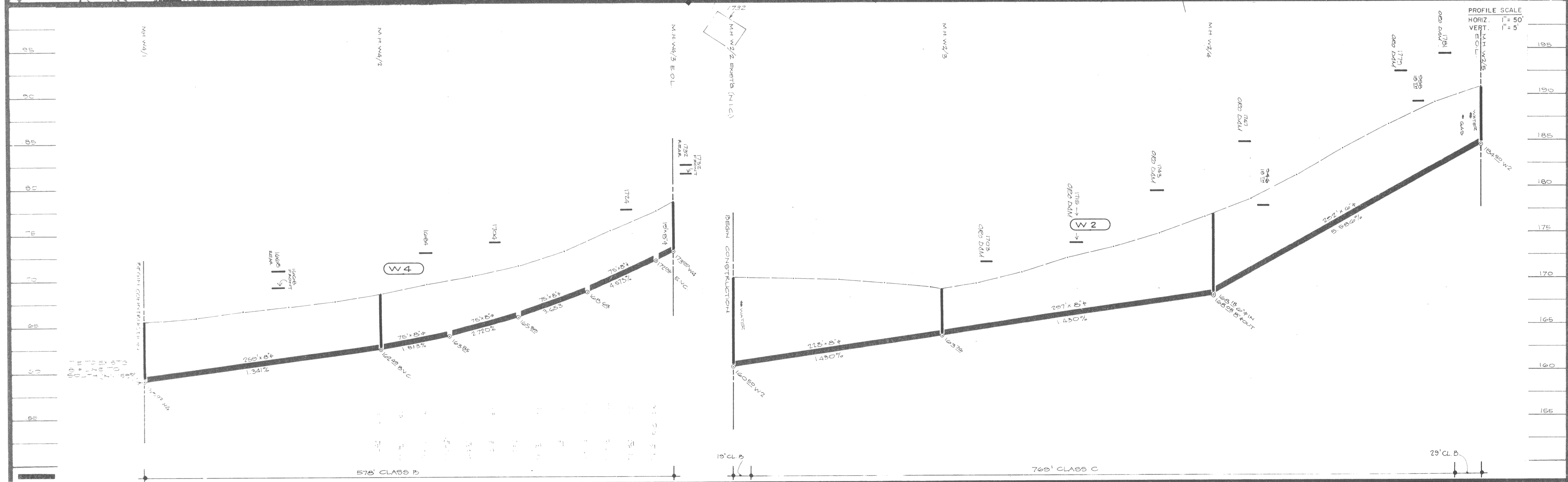
OF SHEETS

PROJECT NO.



THE EXISTENCE AND LOCATION OF ALL UTILITIES SHALL BE VERIFIED BY THE CONTRACTOR

PLAN SCALE: 1" = 50'



PROFILE SCALE
 HORIZ. 1" = 50'
 VERT. 1" = 5'

RINGEL & ASSOCIATES INC.		DESIGN DENIS	DATE 11.74			
		DRAWN DENIS	11.74			
		CHECKED EAK	5.75			
		APPROVED E.L.	5.75			
			NO	DATE	REVISION	
					BY	APPRO

THERMALITO IRRIGATION DISTRICT
SANITARY SEWER SYSTEM
COUNTY SERVICE AREA 26

LINE NO. W2 & W4
FROM: W2: MH W2/2 (existg)
 W4: MH W4/1 **TO:** MH W2/5 (o.o.)
 MH W4/3 (o.o.)

SHEET NO. 3
 OF SHEETS
 PROJECT NO.