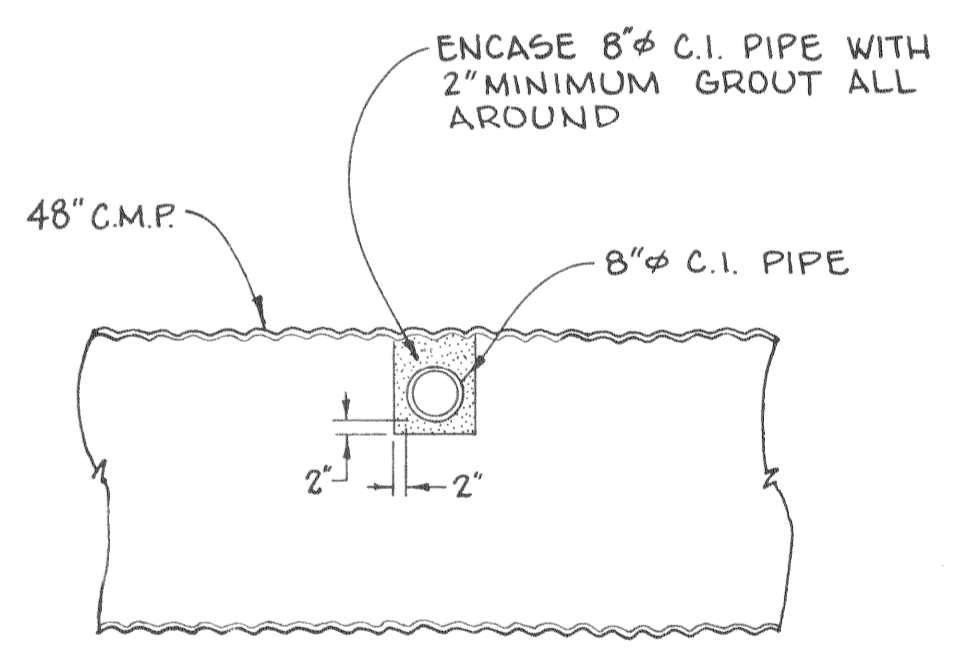
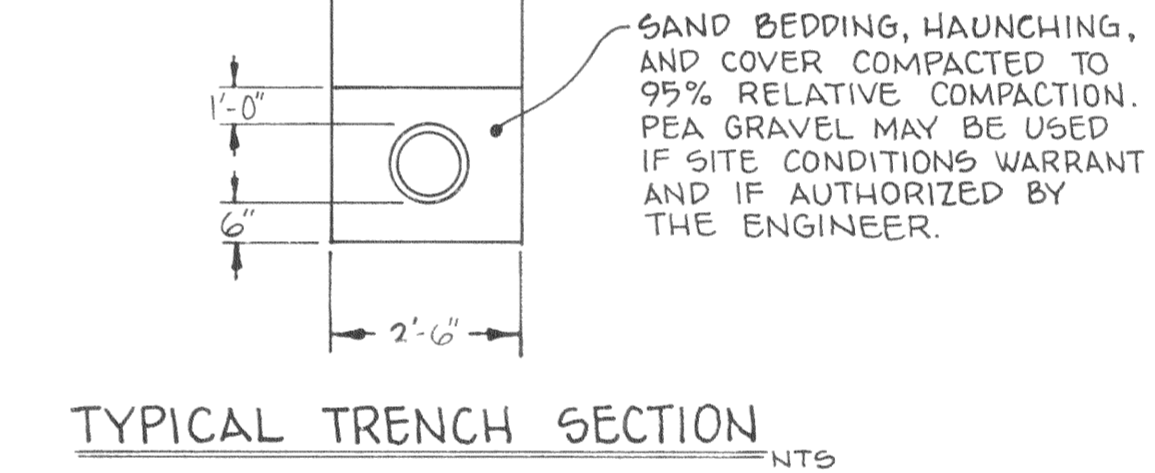
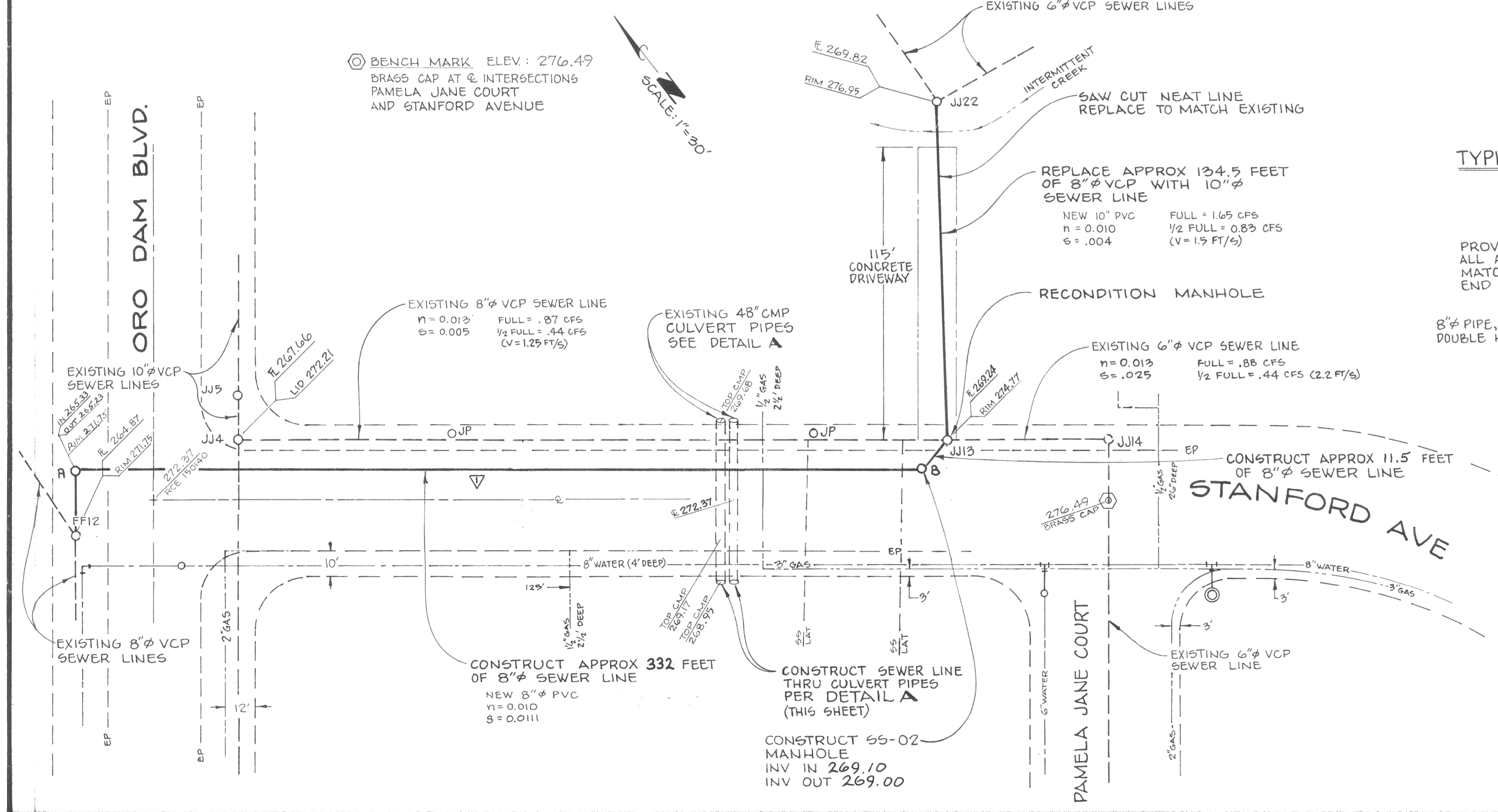
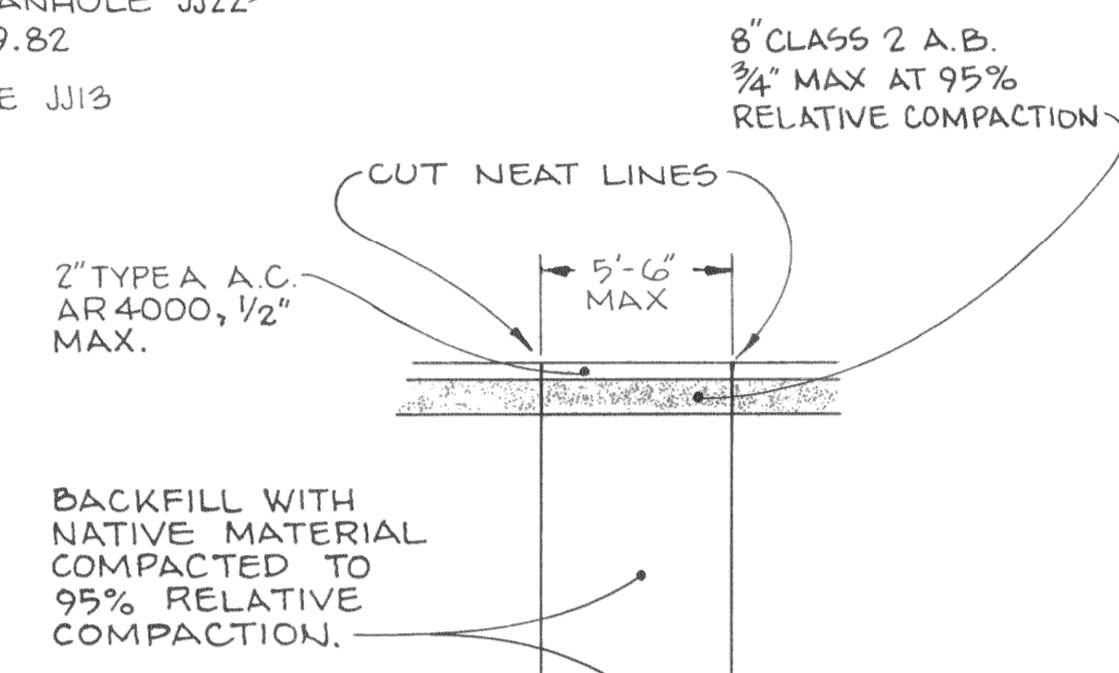
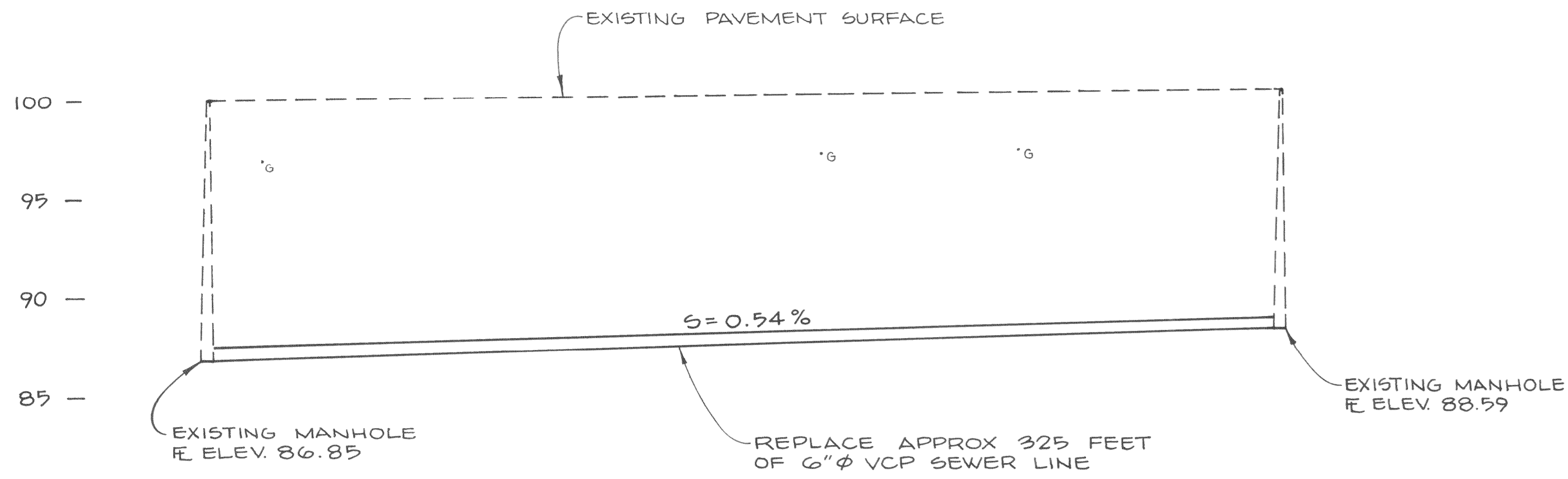


GENERAL NOTES

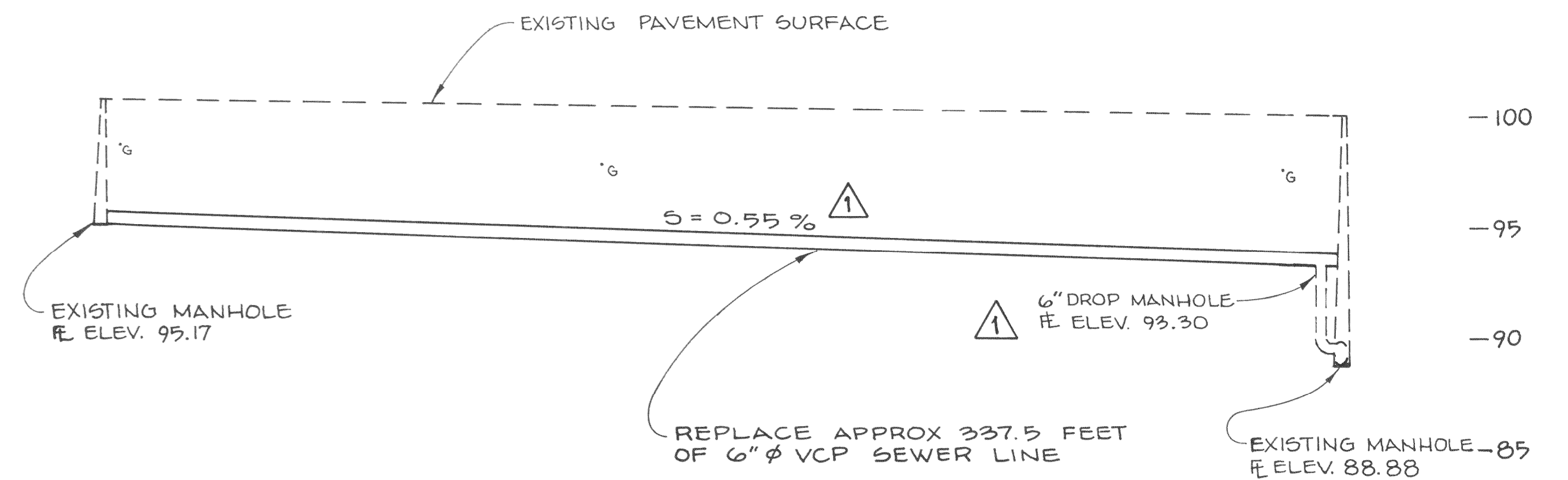
1. THE LOCATION OF EXISTING UTILITIES AS SHOWN IS FROM INFORMATION PROVIDED BY THE VARIOUS UTILITY COMPANIES. THE EXISTENCE AND LOCATION OF ALL UTILITIES SHALL BE VERIFIED BY THE CONTRACTOR.
2. PRIOR TO ANY CONSTRUCTION, CONTACT UNDERGROUND SERVICE ALERT AT 800-642-2444 FOR INFORMATION ABOUT UNDERGROUND UTILITIES IN THE CONSTRUCTION AREA.
3. THE CONTRACTOR IS CAUTIONED THAT A PERMIT FROM THE DIVISION OF INDUSTRIAL SAFETY IS REQUIRED PRIOR TO COMMENCING EXCAVATION OF A TRENCH GREATER THAN 5 FEET IN DEPTH.
4. THESE PLANS ARE TO BE USED IN CONJUNCTION WITH THE STATE STANDARD SPECIFICATIONS, JULY 1984 EDITION.
5. THE CONTRACTOR SHALL TAKE NECESSARY PRECAUTIONS TO PRESERVE OR REPLACE CENTERLINE MONUMENTS AT ALL INTERSECTIONS.



		CITY OF OROVILLE	
		SANITARY SEWER REPLACEMENT STANFORD AVENUE & DETAILS	
APPROVED BY <i>W. J. [Signature]</i> PUBLIC WORKS DIRECTOR	DESIGNED BY <i>J. Mike [Signature]</i>	DRAWN BY <i>B. J. [Signature]</i>	DRAWING NO. 55-308
REVISION 6/86 [Signature]	CHECKED BY <i>[Signature]</i>	DATE 1/3/89	SHEET 1 OF 2

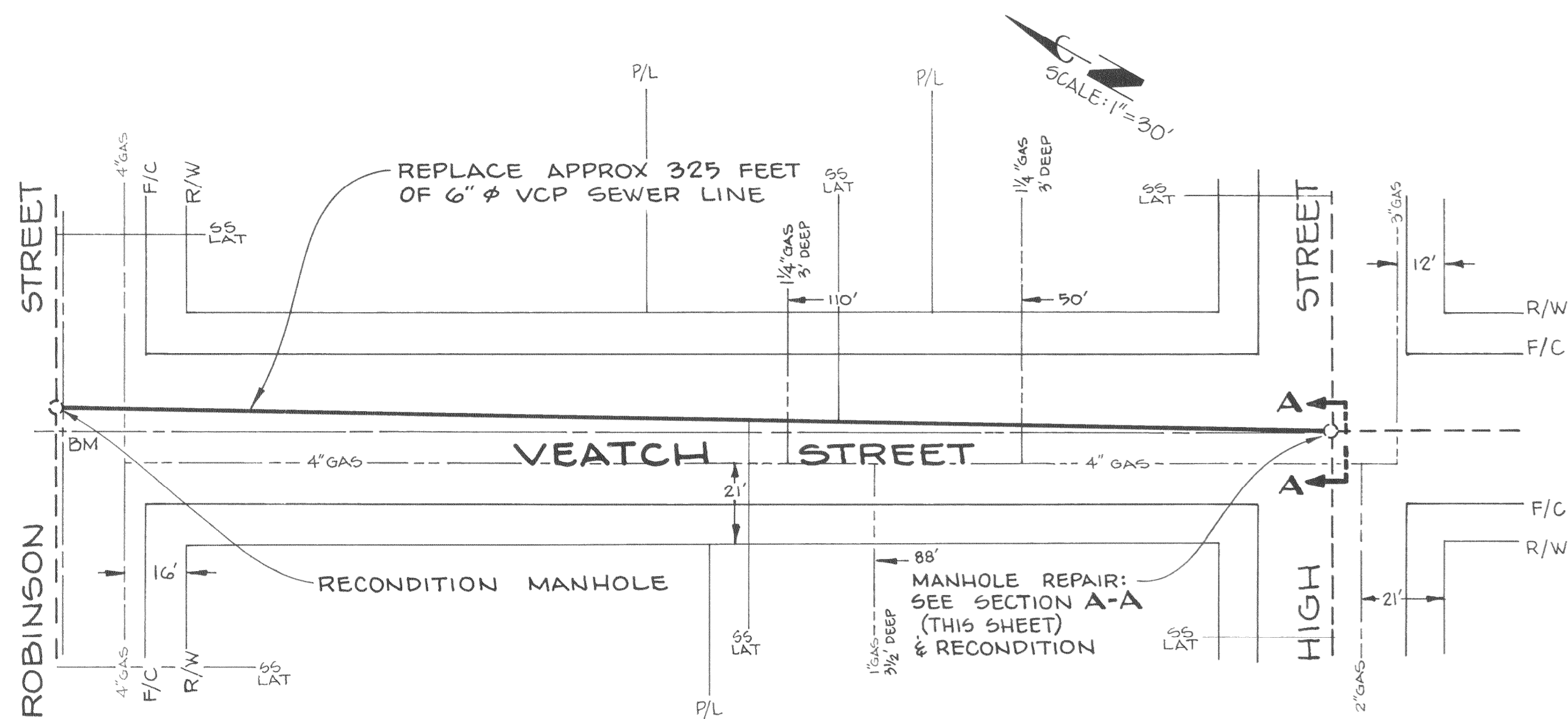


SCALE:
HORIZ. 1" = 30'
VERT. 1" = 5'

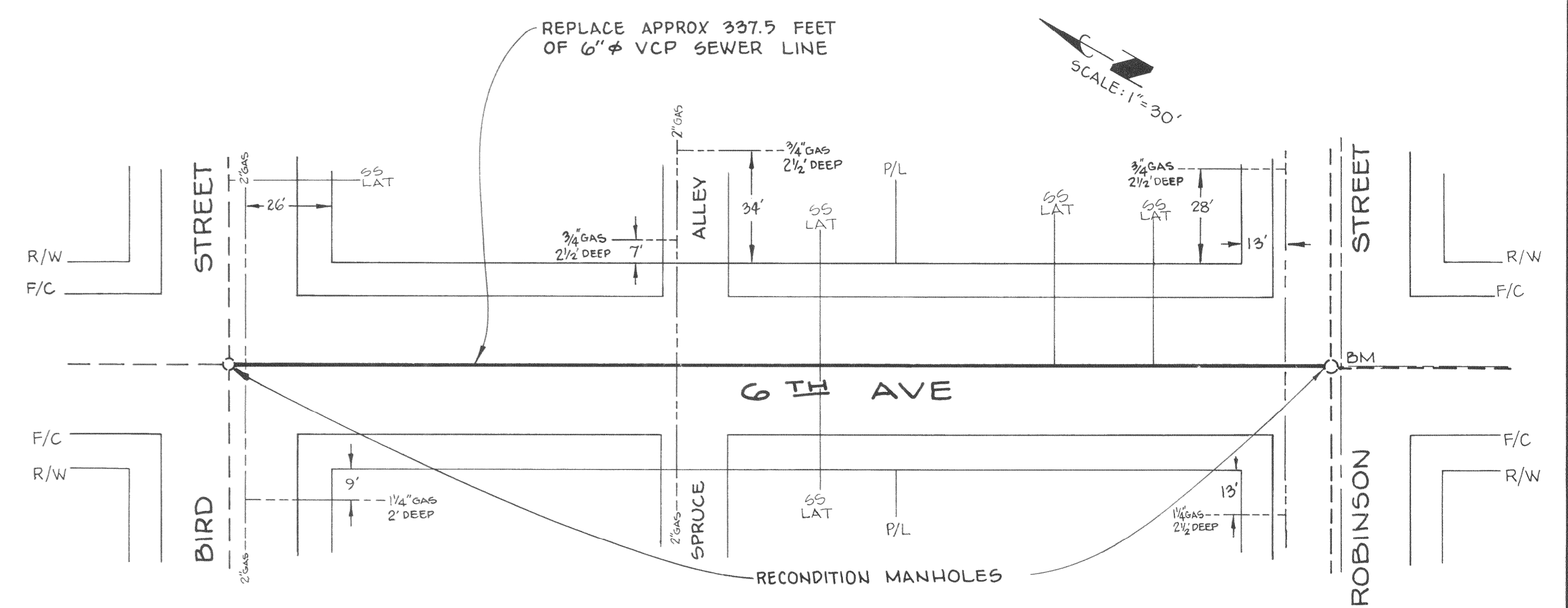


SCALE:
HORIZ. 1" = 30'
VERT. 1" = 5'

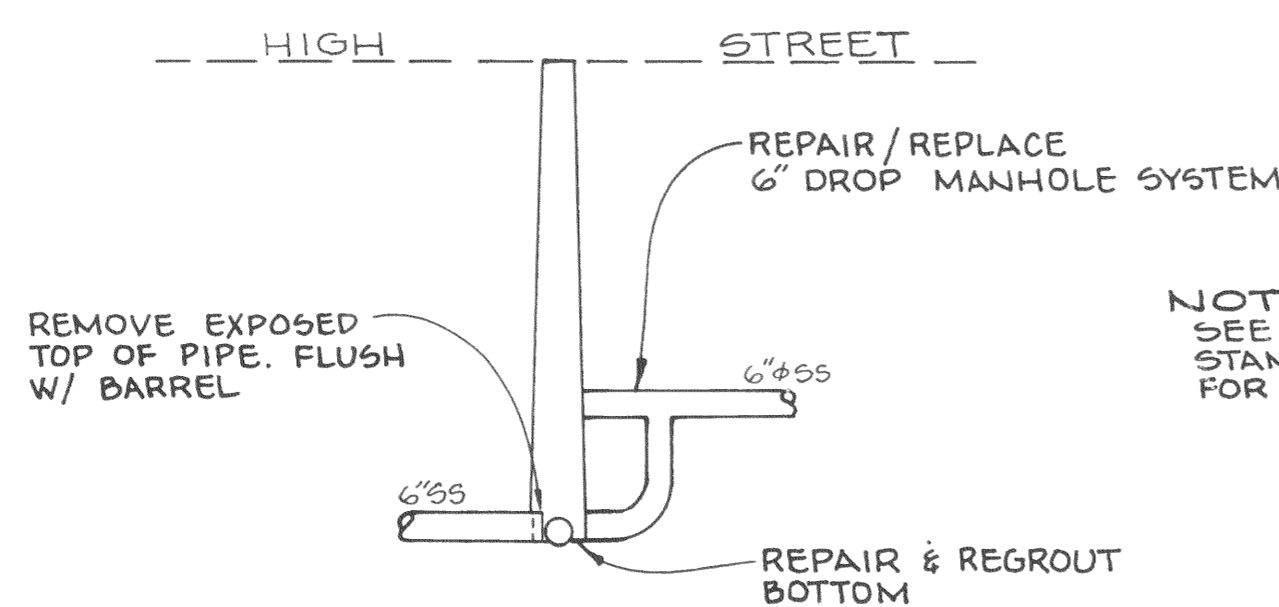
NOTE: LOCATIONS OF SANITARY SEWER
LATERALS ARE APPROXIMATE ONLY.



BM: BRASS CAP AT E/C
VEATCH ST. / ROBINSON ST.
ASSUMED ELEV. 100.00'





BM: BRASS CAP AT E/C
6TH AVE / ROBINSON ST.
ASSUMED ELEV. 100.00'



SECTION A-A
NTS

NOTE:
SEE CITY OF OROVILLE
STANDARD 55-03 FOR DROP MANHOLE
FOR SANITARY SEWER

REVISD APRIL 24, 1986

	CITY OF OROVILLE	
	SANITARY SEWER REPLACEMENT VEATCH STREET & 6TH AVENUE	
APPROVED BY 	DESIGNED BY S. McCreary	DRAWING NO. 55-308
PUBLIC WORKS DIRECTOR RCE 21762	CHECKED BY G. S. [Signature]	DATE 9-17-85
		SHEET 2 OF 2