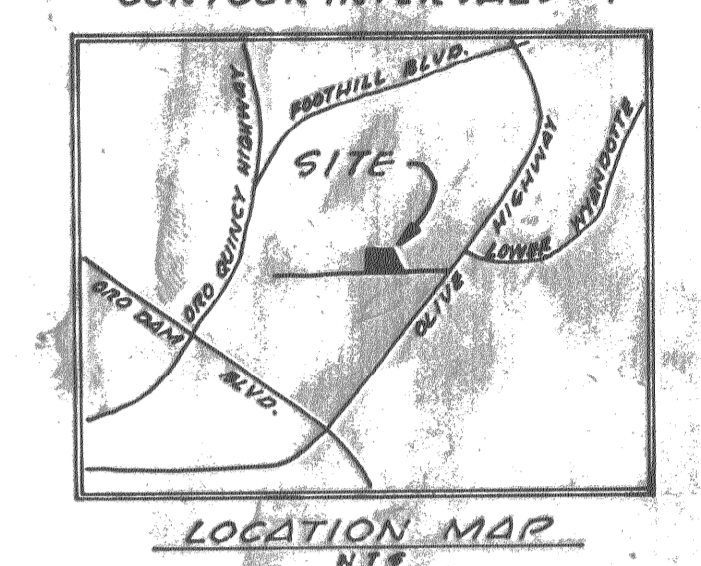
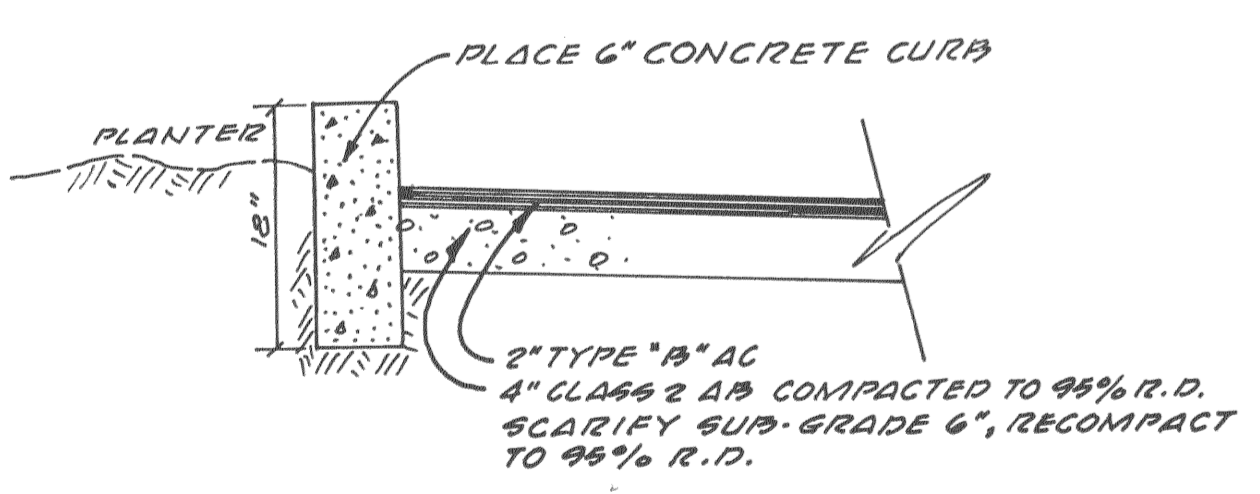


SCALE 1" = 20'  
CONTOUR INTERVALS = 1'

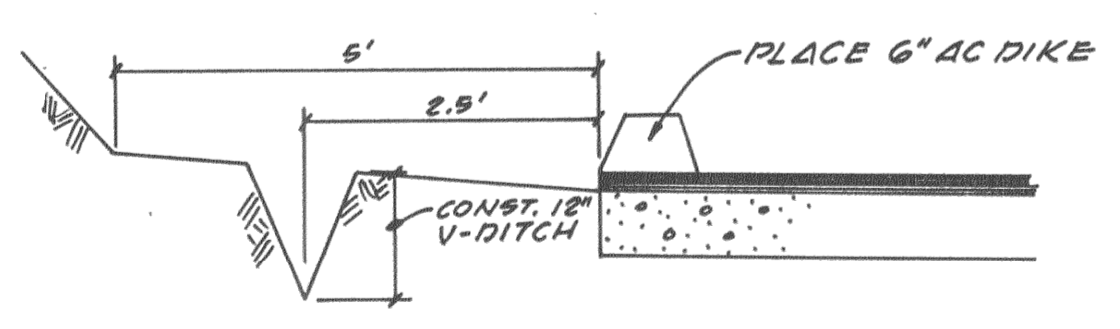


**GENERAL NOTES**

- All materials and construction shall be in strict conformance with requirements of the City of Oroville, and as set forth in specifications and as shown on these plans.
- The types, locations, sizes and/or depths of existing underground utilities as shown on these improvement plans were obtained from sources of varying reliability. The Contractor is cautioned that only actual excavation will reveal the number, types, extent, sizes, location and depth of such underground utilities. However, Barnhart-Brown & Associates, can assume no responsibility for the completeness or accuracy of its delineation of such underground utilities not for the existence of other buried objects or utilities which may be encountered, but which are not shown on these drawings.
- The Contractor is hereby notified that prior to commencing construction, he is responsible for contacting the utility companies involved and verifying at the construction site the locations of all utilities as shown on these improvement plans, or discovered in the field. Contractor shall notify Underground Service Alert (Ph. 800-422-2444) 48 hours in advance of any work.
- The Contractor shall remove all obstructions, both above the ground and underground, except as indicated on the plans, as necessary for the construction of the proposed improvements.
- The Contractor shall be solely and completely responsible for condition of premises on which the work is performed and for safety of all persons and property on the site, both during and outside of normal working hours, until such work is accepted by the owner.
- Sufficient equipment shall be available to provide dust control at all times during construction operations. Areas surrounding the work shall be kept clean and returned to original conditions upon completion of this contract.
- Where Barnhart-Brown & Associates are to provide construction stakes, the contractor shall:
  - Request staking at least 24 hours in advance
  - Request concrete form checks
  - Preserve all stakes and monuments
- The Contractor shall, at all times, coordinate his work with that of others on the site.
- The Contractor shall provide construction area traffic control devices as per section of the State Standard Specifications.
- All salvaged material shall become the property of the contractor unless otherwise noted.
- Contractor shall be responsible for the protection of all existing monuments and other survey markers during construction. All such monuments and markers destroyed during construction shall be replaced at contractor's expense.
- Building pads to be scarified to a 12" depth, moisture conditioned and recompacted to 95% R.D.



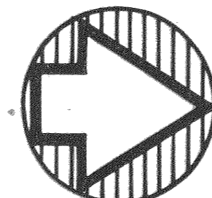
TYPICAL STRUCTURAL SECTION



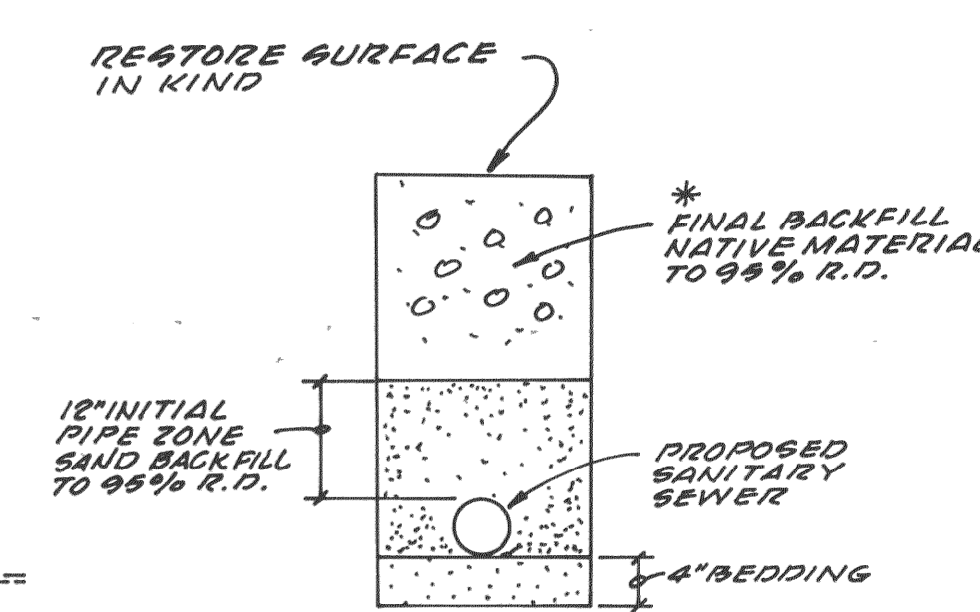
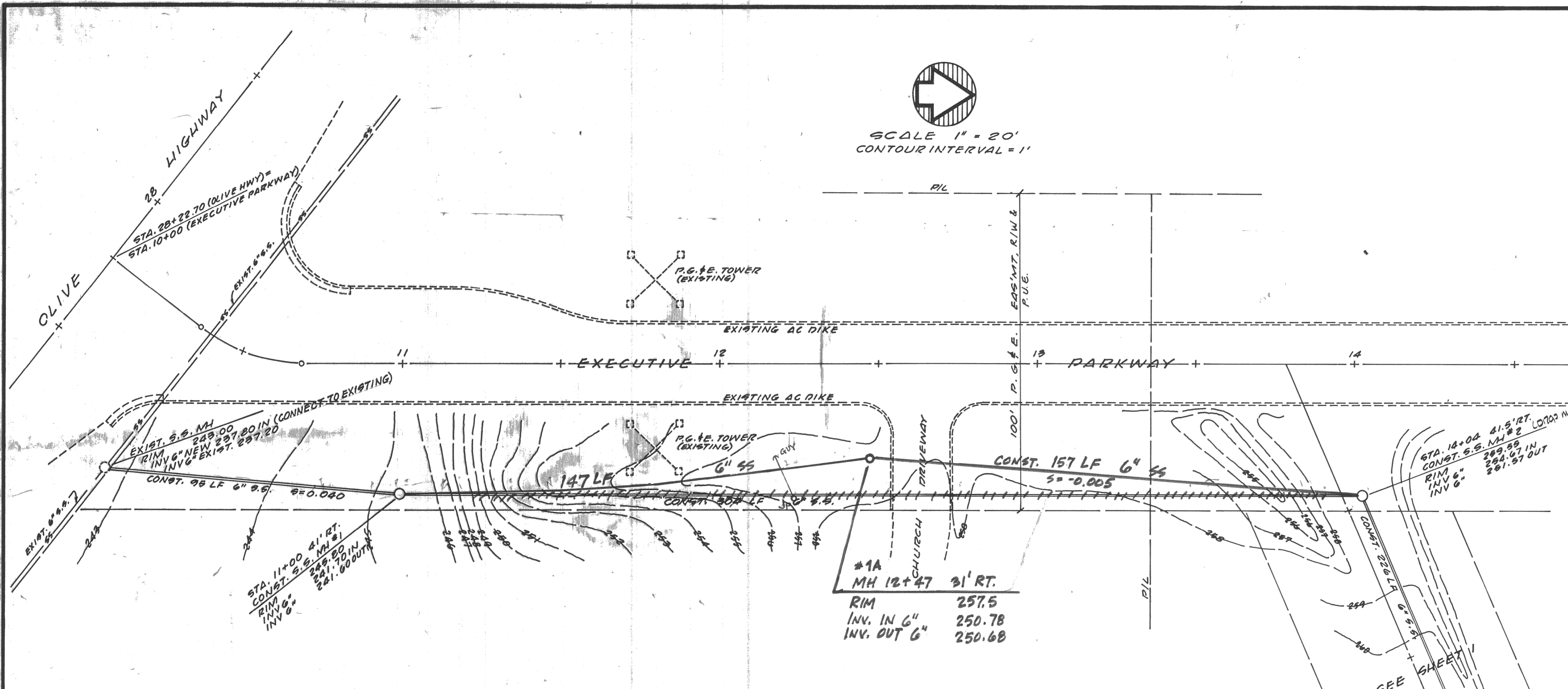
INTERCEPTOR V-DITCH

"AS BUILT" 1/21/98

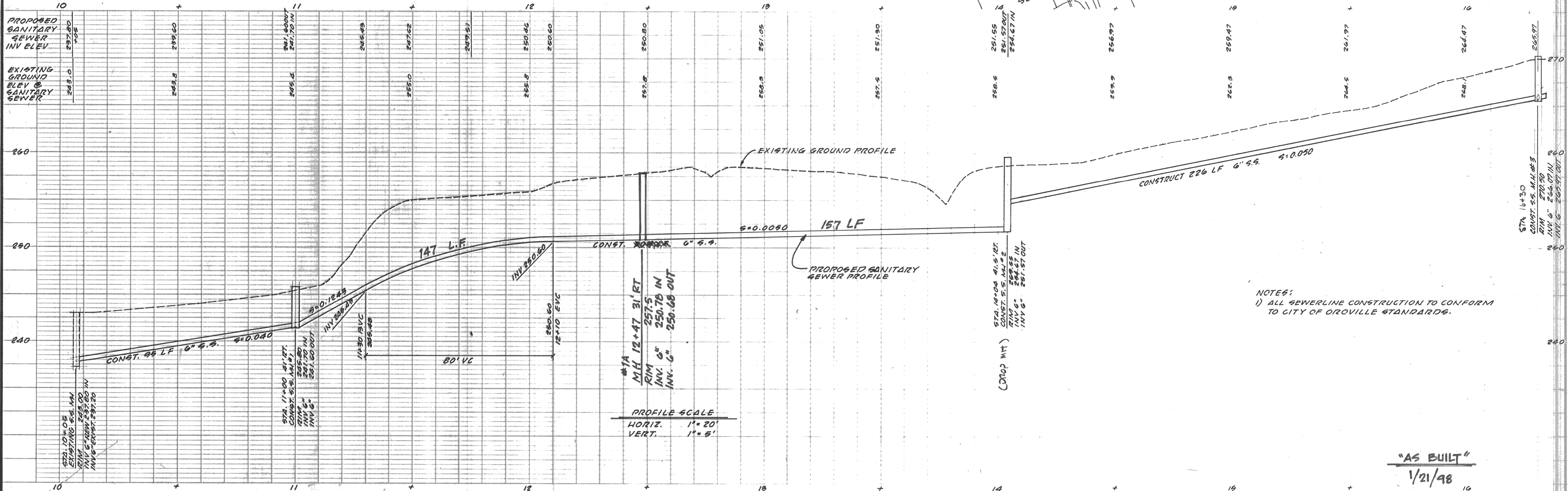
	2/14/88 ADD WATER LINES 2/14/88 CHANGE SS 6" LINE 3/10/88 IDENTIFY R/W & P.U.E. 4/15/88 REVISE SS 6", 6", 6", 6"	V.E.F. A.G.B. V.E.F. A.G.B. D.E.R. A.G.B. D.E.R. A.G.B.	FIELD BOOK ELEVATION DATUM	DRAWN LANE DESIGNED LANE CHECKED A.G.B. SCALE AS SHOWN			P.O. Box 1576 Oroville, CA 95965 CIVIL ENGINEERS	916/5341911 LAND SURVEYORS	<b>GRADING PLAN</b> <b>FOR OROVILLE EXECUTIVE PARK</b> <b>PHASE 1</b> CITY OF OROVILLE, CA.	SHEET 1 OF 2 JOB NO. 87052
	DATE REVISION BY APPD	DATE REVISION BY APPD	DATE REVISION BY APPD	DATE REVISION BY APPD	DATE REVISION BY APPD	DATE REVISION BY APPD	DATE REVISION BY APPD	DATE REVISION BY APPD	DATE REVISION BY APPD	DATE REVISION BY APPD



SCALE 1" = 20'  
CONTOUR INTERVAL = 1'

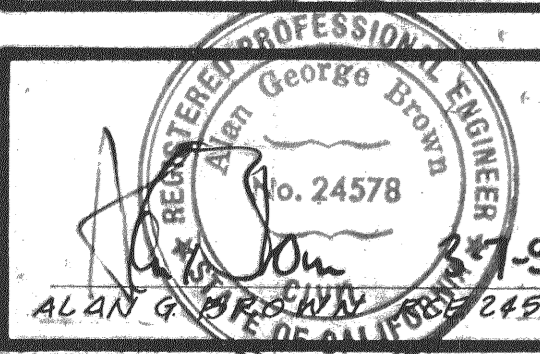


TYPICAL TRENCH SECTION  
\* AT CHURCH DRIVEWAY CROSSING FINAL BACKFILL TO BE 3/4" AB TO 95% R.D.



NOTES:  
1) ALL SEWERLINE CONSTRUCTION TO CONFORM TO CITY OF GROVILLE STANDARDS.

"AS BUILT"  
1/21/98



DATE	REVISION	BY	APP'D
2/7/88	CHANGE 85' LINE BETWEEN M.H. #2 & M.H. #3	V.L.F. A.S.B.	
3/18/88	IDENTIFY R/W & R.U.E.	DER. A.S.B.	

FIELD BOOK	DESIGNED LANE
ELEVATION DATUM	CHECKED A.S.B.
	SCALE AS SHOWN

APPROVED: *Alan G. Brown* 2/4/88 DATE

**Barnhart Brown & Associates**  
A CALIFORNIA CORPORATION  
P.O. Box 1576, Oroville, CA 95965, 916/534-1911  
CIVIL ENGINEERS • LAND SURVEYORS

**SANITARY SEWER PLAN FOR GROVILLE EXECUTIVE PARK PHASE I**  
SHEET 2 OF 2  
JOB NO. 87052  
CITY OF GROVILLE, CA.