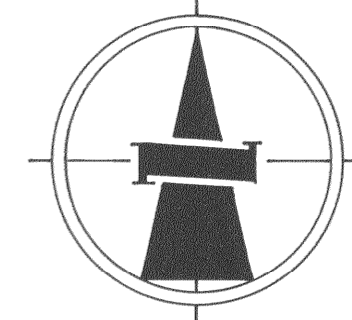


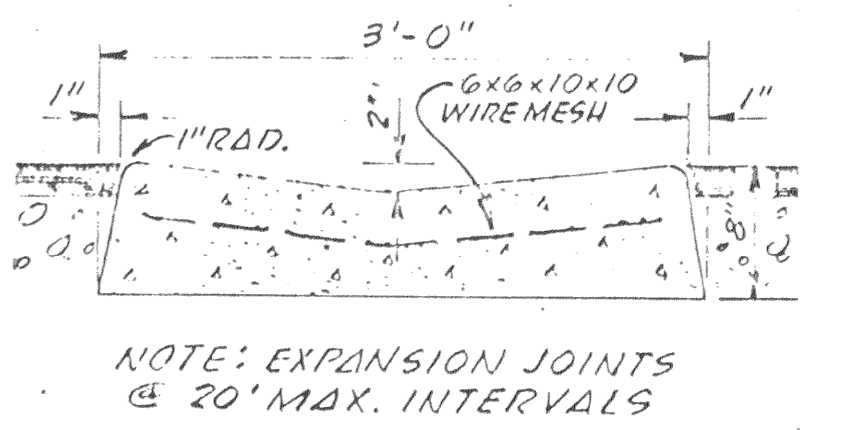
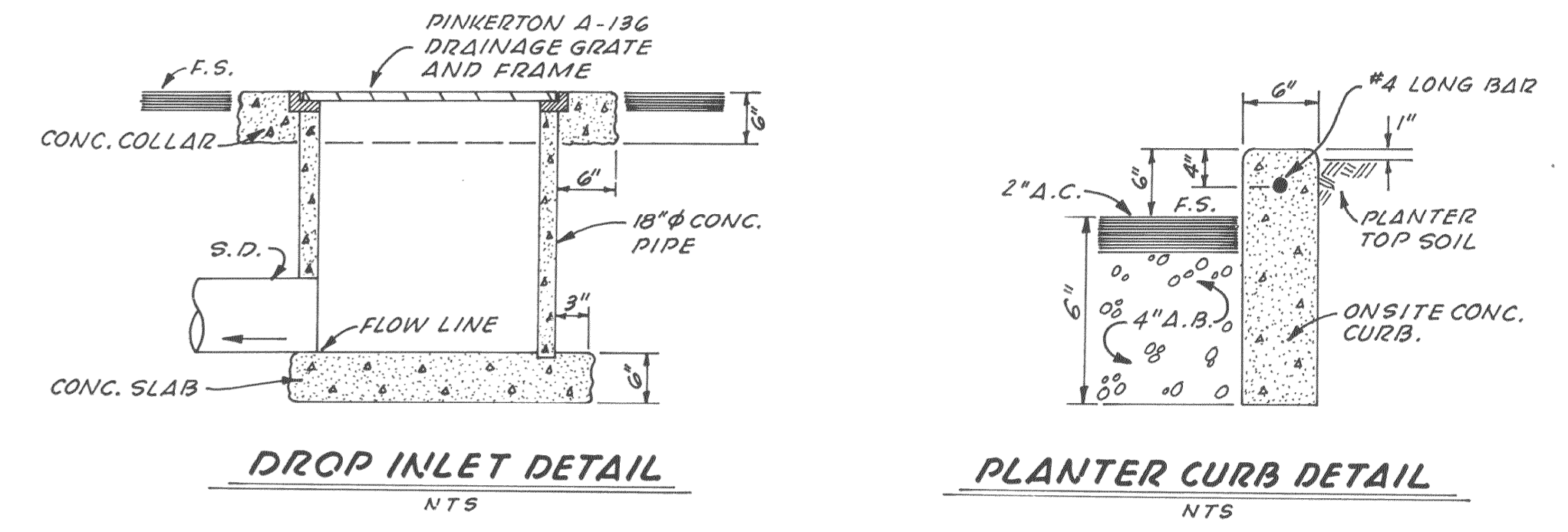
CONSTRUCTION OF CURB-GUTTER AND SIDEWALK SHALL BE IN ACCORDANCE WITH APPROVED CITY OF OROVILLE PLANS DATED MARCH 23, 1978.

ORO-DAM BOULEVARD



SCALE 1"=20'

WILLIAM S. HARELSON
DIRECTOR OF PUBLIC WORKS
CITY OF OROVILLE



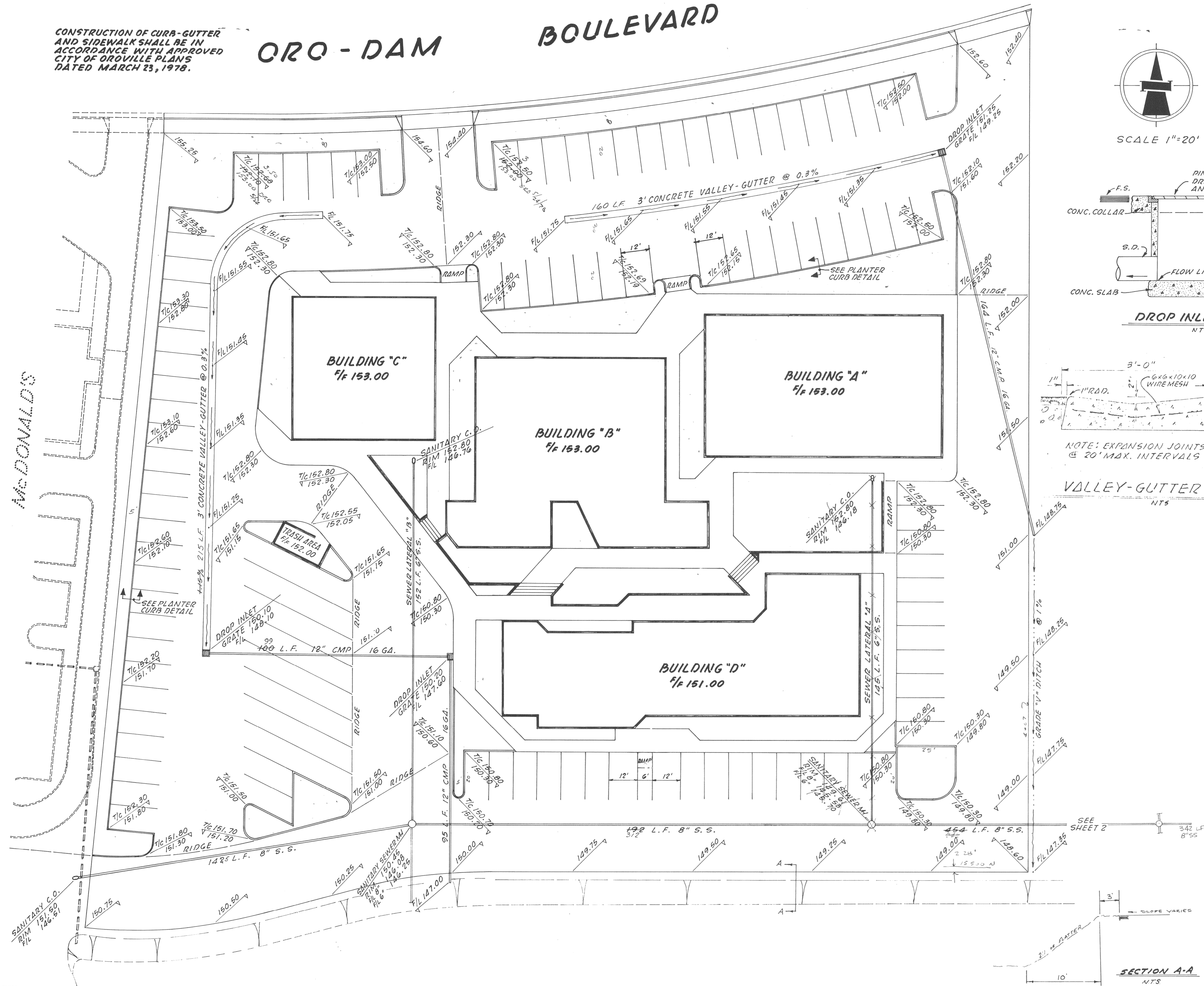
NOTE: EXPANSION JOINTS @ 20' MAX. INTERVALS

VALLEY-GUTTER DETAIL
NTS

GENERAL NOTES:

- All materials and construction shall be in strict conformance with requirements of the City of Oroville and all County and State codes.
- Approval of City Engineer or his authorized representative is required on completed work prior to:
 - Placing of any concrete
 - Placing of aggregate base
 - Backfilling trenches for drainage pipe
 - Placing of asphaltic concrete
- Work done without such approval shall be done at the contractor's risk. Such approval, when given, shall not relieve the contractor from the responsibility of performing the work in an acceptable manner.
- The types, locations, sizes and/or depths of existing underground utilities, as shown on these improvement plans, were obtained from sources of varying reliability. The contractor is cautioned that only actual excavation will reveal the number, types, extent, sizes, locations, and depths of such underground utilities. A reasonable effort has been made to locate and delineate all known underground utilities. However, GEDDIS, DRISCOLL & ASSOCIATES can assume no responsibility for the completeness or accuracy of their delineation of such underground utilities, nor for the existence of other buried objects or utilities which may be encountered, but which are not shown on these drawings.
- The contractor is hereby notified that prior to commencing construction, he is responsible for contacting the utility companies involved and requesting a verification on the construction site of the locations of their underground utilities where such facilities may possibly conflict with the placement of improvements as shown on these improvement plans.
- The contractor shall remove all obstructions, both above ground and underground, except as indicated on the plans, as necessary for the construction of the proposed improvements.
- Where GEDDIS, DRISCOLL & ASSOCIATES are to provide construction stakes, said firm will assume no responsibility whatsoever for improvements constructed therefrom, unless the following procedure is observed by the contractor:
 - The contractor shall, through the office of GEDDIS, DRISCOLL & ASSOCIATES, request construction stakes for any particular phase of the work at least twenty-four (24) hours prior to the planned use of said stakes. No request received from a sub-contractor will be recognized.
 - Where construction stakes are intended for use in setting concrete forms, the contractor shall, upon completion of form setting, contact the office of GEDDIS, DRISCOLL & ASSOCIATES to request a form check. If the grade and alignment of the forms is not approved, certain corrections will be requested prior to permitting concrete to be placed. A representative of the contractor must be present at the form check. No authorization to place concrete will be given to a sub-contractor.
- Where GEDDIS, DRISCOLL & ASSOCIATES is to provide construction stakes, construction stakes for alignment and grade will be furnished to the contractor one (1) time only. The spacing and offset of the stakes shall be coordinated with GEDDIS, DRISCOLL & ASSOCIATES by the contractor. Stakes and marks set by GEDDIS, DRISCOLL & ASSOCIATES shall be carefully preserved by the contractor. In case such stakes and markings are destroyed or damaged, the costs of replacing or re-setting them will be deducted by the owner from any monies due or to become due the contractor. Requests for re-setting lost stakes or additional stakes will be acknowledged by GEDDIS, DRISCOLL & ASSOCIATES only when authorized by the owner. The contractor shall be responsible for obtaining such authorization.
- Contractor shall be solely and completely responsible for condition of premises on which the work is performed and for safety of all persons and property on the site, both during and outside of normal working hours, until such work is accepted by the owner.
- Sufficient equipment shall be available to provide dust control at all times during earthmoving operations. Areas surrounding the work shall be kept clean and returned to original condition upon completion of this contract.
- On-site relative compaction requirements:

Building Areas	90%
AC Paved Areas	95% (Top six (6) inches)
All Other Areas	85% (And trenches below top six (6) inches)
- All drainage pipe and structures to conform to City of Oroville standards.
- The contractor shall, at all times, coordinate his work with that of others on the site.
- See Architect's Site Plans for details, dimensions, and specifications of paving, turf areas, irrigation systems, curbs and all concrete flatwork, and on-site lighting systems not detailed hereon.
- Earthwork: Enhancement - Co. 10s. (Does not include Co. 10s. and excavating (includes basement) Cu. Yds. (Does not include allowance for shrinkage or stripping.) This estimate of quantities is for information purposes only. Contractor shall satisfy himself as to amounts of earthwork required.
- Specifications for A.R.A.C. and concrete work shall be as established by Cal-Trans Standard Specifications.



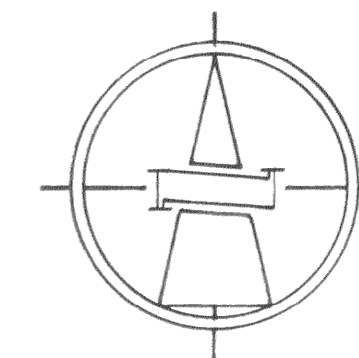
SECTION A-A
NTS

1/2" = 1' DELETE LATERAL "X"		FIELD BOOK ELEVATION DATUM U.S.G.S. BM IN ISLAND AT INTERSECTION OF ORO-DAM AND FEATHER RIVER BLVD'S ELEV. 157.78 CITY OF OROVILLE DATUM.	DRAWN Lane DESIGNED CHECKED D. Driscoll SCALE 1" = 20' APPROVED DATE 3/23/78	GEDDIS DRISCOLL AND ASSOCIATES	ENGINEERING SURVEYING PLANNING 1638 HUNTON STREET OROVILLE, CALIF. 95965 (916) 533-2068	GRADING PLAN FEATHER RIVER VILLAGE ORO-DAM BOULEVARD OROVILLE, CALIFORNIA	SHEET 1 OF 2 SHEETS JOB NO. 77-263
------------------------------	--	---	---	---	--	--	---

SS 286

ORO-DAM

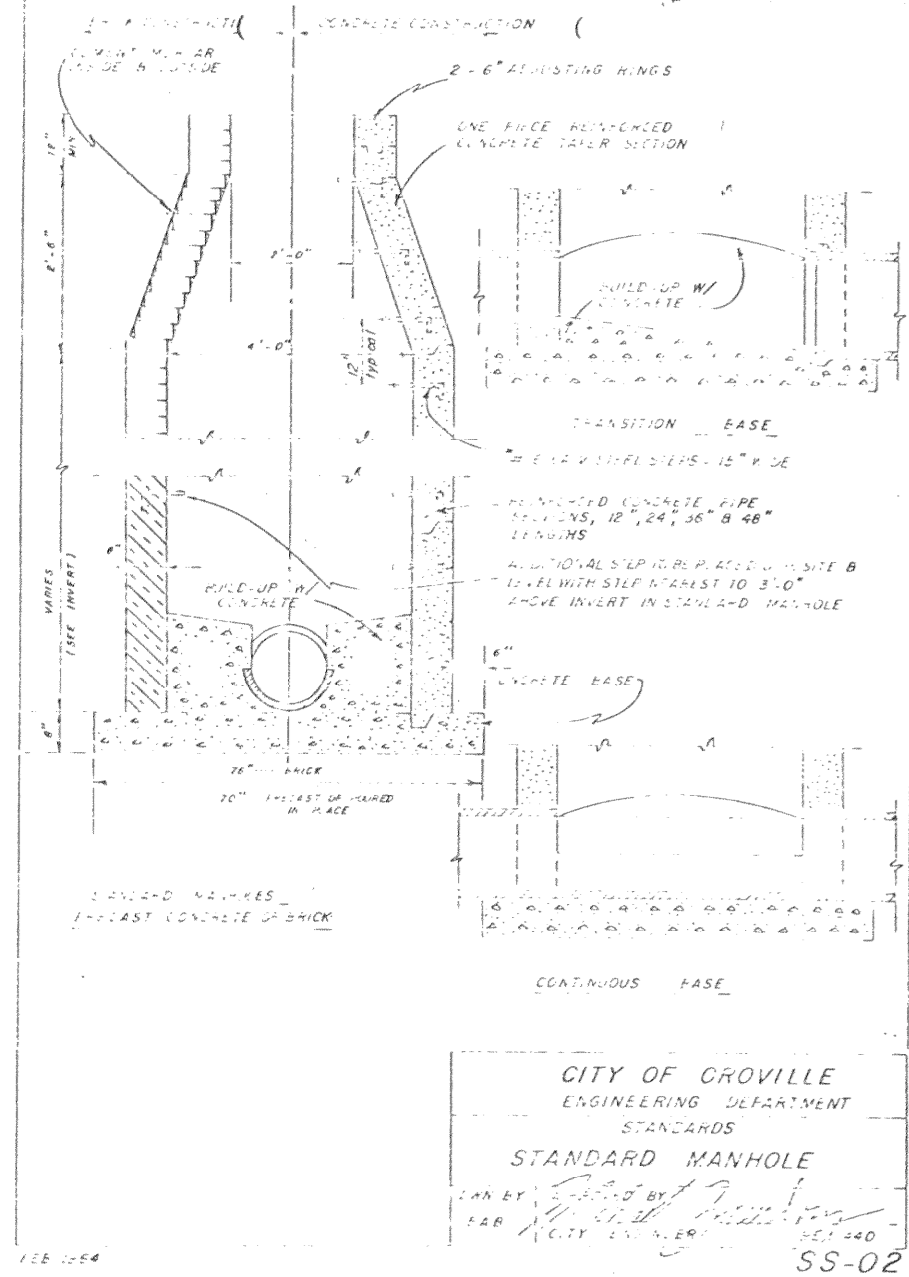
BOULEVARD



SCALE 1"=50'

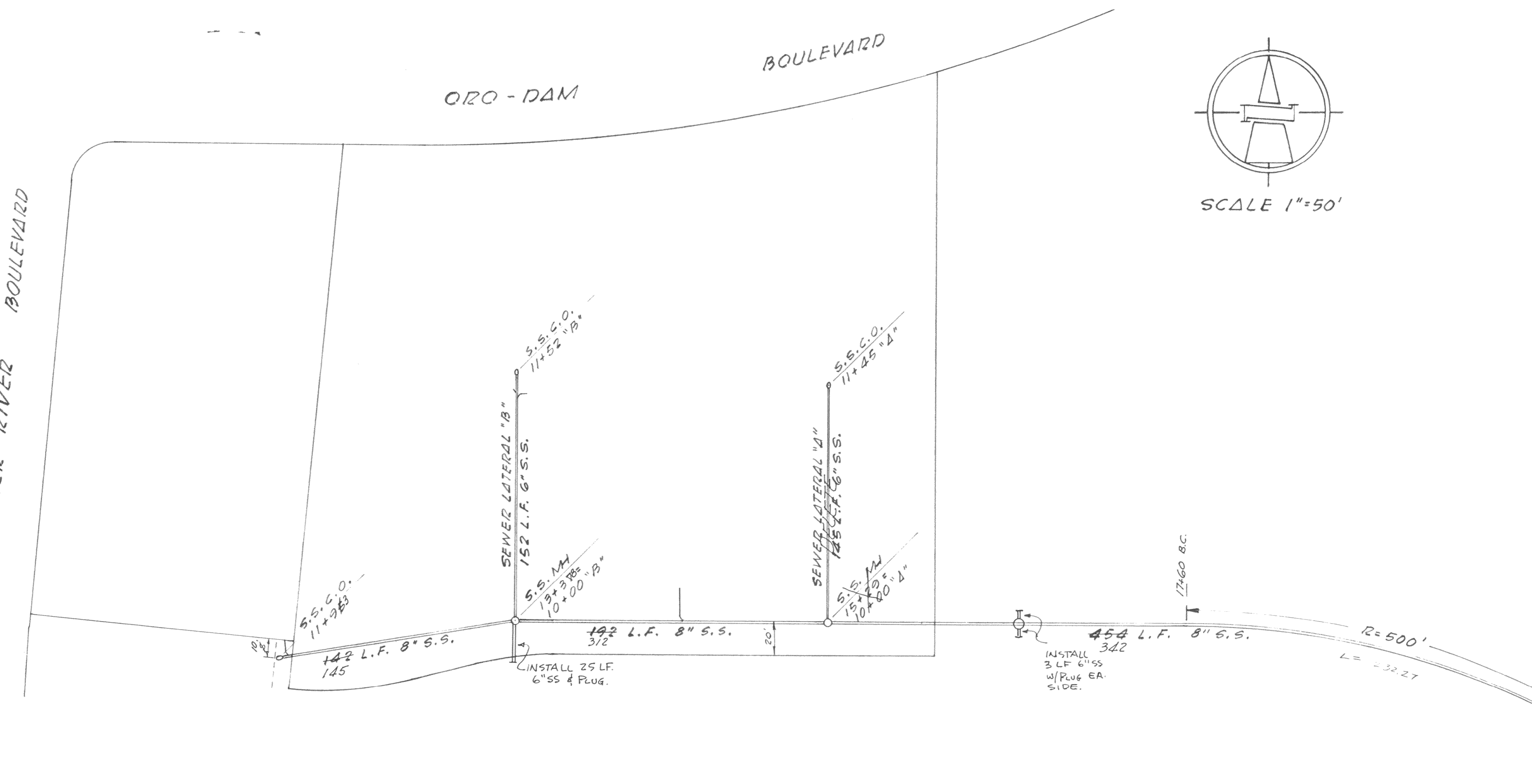
William S. Harelson
WILLIAM S. HARELSON
DIRECTOR OF PUBLIC WORKS
CITY OF OROVILLE

NOTE: MH COVER & DETAIL PER SS-04 & SS-05

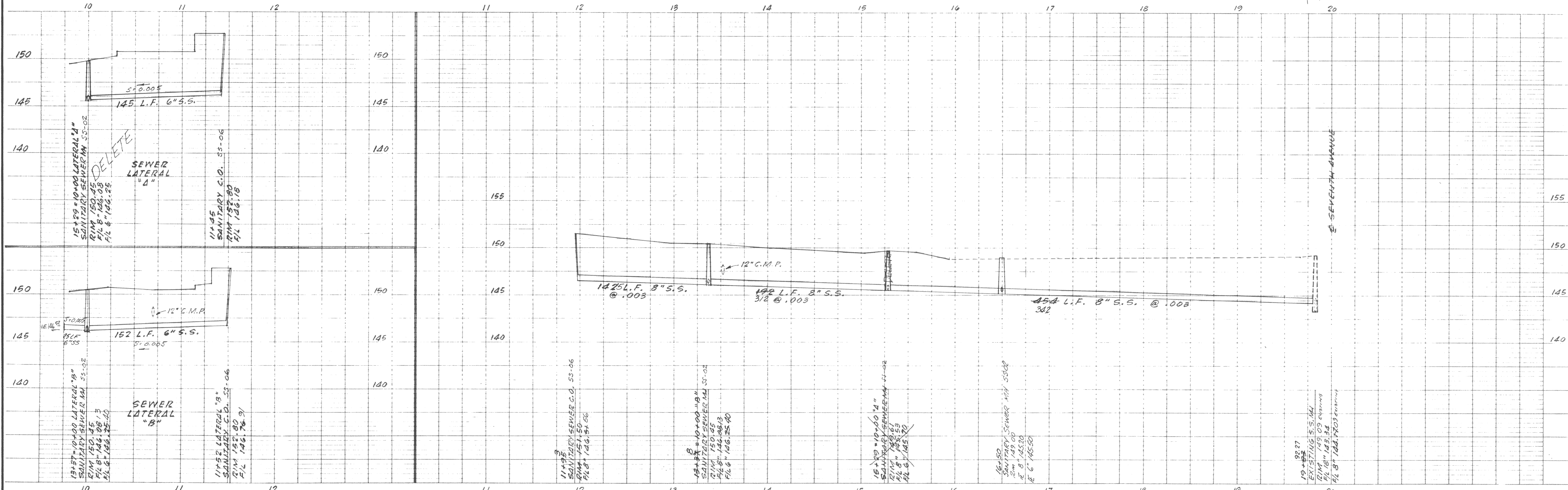


CITY OF OROVILLE
ENGINEERING DEPARTMENT
STANDARDS
STANDARD MANHOLE
SS-02

FEATHER RIVER BOULEVARD



EXISTING 18" S.S.
L & SEVENTH AVENUE
EXISTING S.S. MH
SC OR WEST INTERCEPTOR MH
STATION 20+55



3/20/78 1 DELETE LAT "A"		FIELD BOOK	DRAWN Lane		ENGINEERING SURVEYING PLANNING 1636 HUNTOON STREET OROVILLE, CALIF. 95965 (916) 531-2068	SEWER PLAN FEATHER RIVER VILLAGE ORO-DAM BOULEVARD OROVILLE, CALIFORNIA	SHEET 2 OF 2 SHEETS JOB NO 77-263
DATE	REVISION	BY	APP'D				

SS286