

10 | 11  
15 | 14



SEC. 15, T.19N, R.4E., M.D.M. MAR 30 1970 BUTTE CO.

|           |           |      |
|-----------|-----------|------|
| DESIGNED  | SUBMITTED | DATE |
| CHECKED   | APPROVED  | DATE |
| REVISIONS | DATE      | BY   |

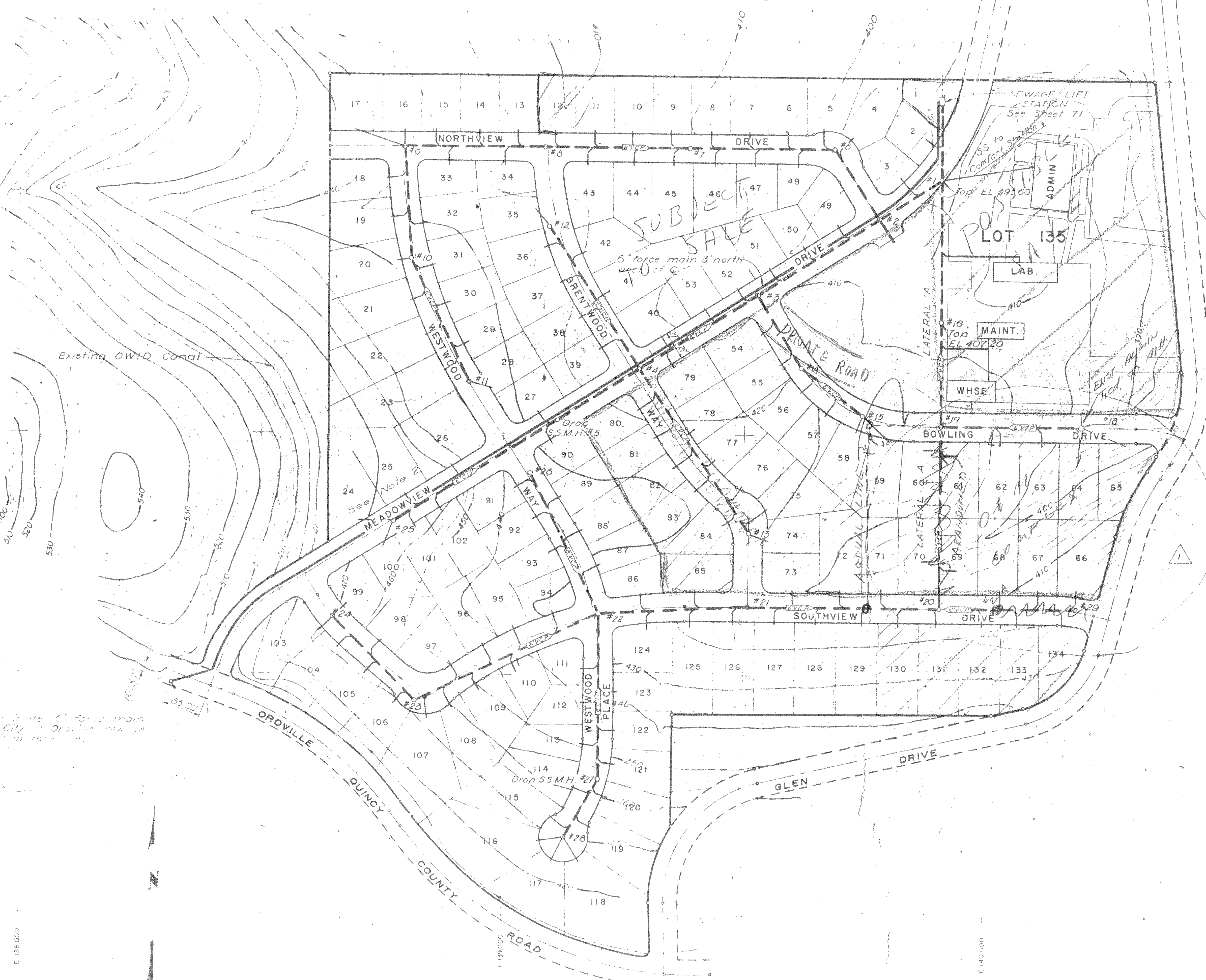
STATE OF CALIFORNIA  
THE RESOURCES AGENCY OF CALIFORNIA  
DEPARTMENT OF WATER RESOURCES  
DIVISION OF RIGHT OF WAY ACQUISITION

STATE WATER PROJECT  
OROVILLE DIVISION STATE FEATURE  
OLIVE-GLEN ESTATES REVISED  
DIRECTOR'S DEED TO CITY OF OROVILLE  
ORO-342-B  
DRAWING NO  
A-50B-630

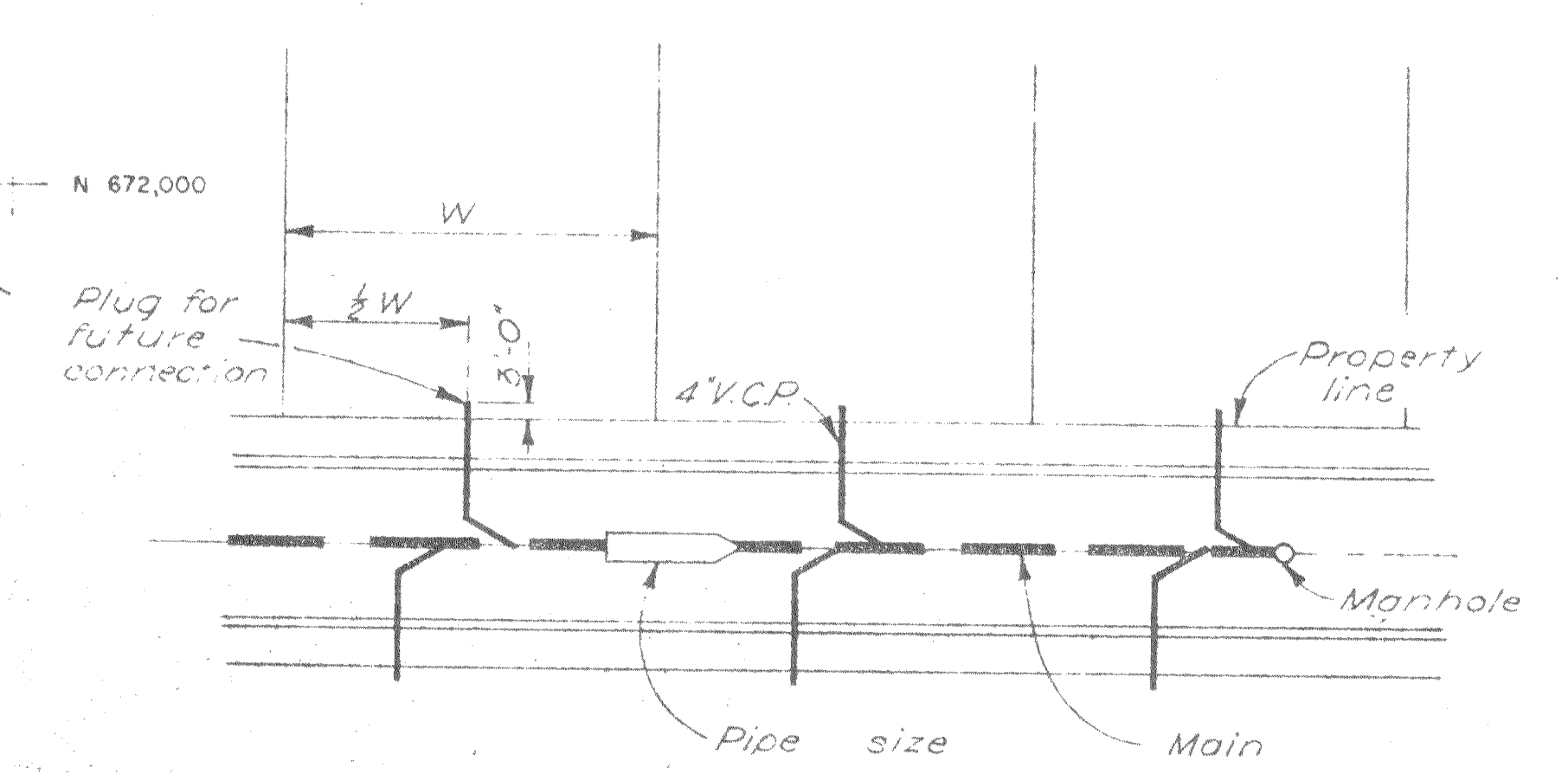
SHT 1A SS-260

D.Y. 3-25-70

E 138,000  
E 139,000  
E 140,000  
E 138,000  
E 139,000  
E 140,000



10 11  
15 14 T.19N., R.4 E.



TYPICAL LOT SERVICE LINE  
Not to Scale

**NOTES:**

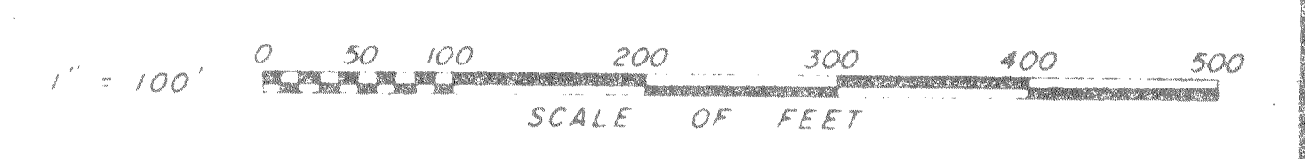
1. Stationing shown on plan and profile sheets is street & stationing.
2. Lot service lines to lots 24, 25, 26 and lots 105, 106, 107, 108 terminate 9' back of curb.

N 671,000

AS BUILT

12-9-65  
RESIDENT ENGINEER DATE

12-15-65  
PROJECT ENGINEER DATE



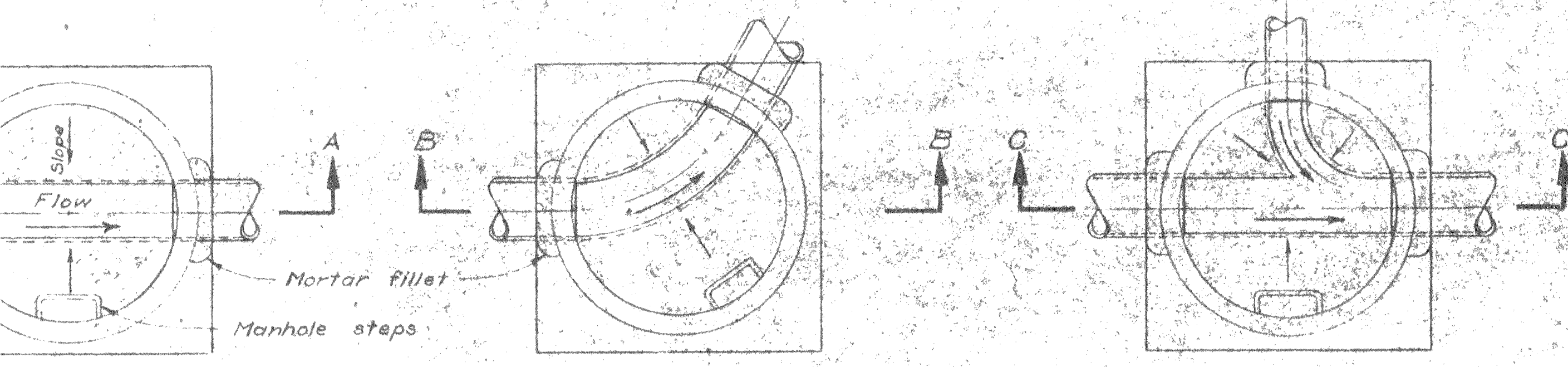
STATE OF CALIFORNIA  
RESOURCES AGENCY OF CALIFORNIA  
DEPARTMENT OF WATER RESOURCES  
DIVISION OF DESIGN AND CONSTRUCTION

STATE WATER FACILITIES  
OROVILLE DIVISION  
CONSTRUCTION HEADQUARTERS  
SANITARY SEWER SYSTEM AND  
FORCE MAIN LAYOUT

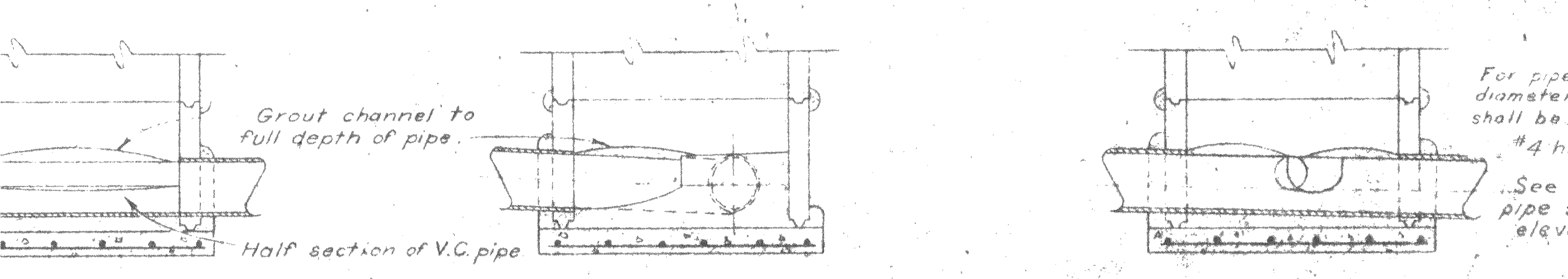
Sheet 2 of 8

|   |              |                   |              |                              |              |                  |              |                                     |      |                                     |      |
|---|--------------|-------------------|--------------|------------------------------|--------------|------------------|--------------|-------------------------------------|------|-------------------------------------|------|
| DESIGNED<br>R. S. T. R. O. S.               | DATE<br>5-62 | DRAWN<br>J. Ikami | DATE<br>5/62 | CHECKED<br>R. S. T. R. O. S. | DATE<br>8/62 | REVIEWED<br>OWEN | DATE<br>8-14 | APPROVAL RECOMMENDED<br>[Signature] | DATE | APPROVAL RECOMMENDED<br>[Signature] | DATE |
| SUBMITTED: [Signature]                      |              |                   |              |                              |              |                  |              | APPROVED: [Signature]               |      | DATE: AUG 27 1962                   |      |
| REVISIONS:<br>Revised LATERAL A & removed B |              |                   |              |                              |              |                  |              | APPROVAL RECOMMENDED<br>[Signature] |      | DATE                                |      |
| DRAWING NO. A-1264 SS-260                   |              |                   |              |                              |              |                  |              |                                     |      |                                     |      |

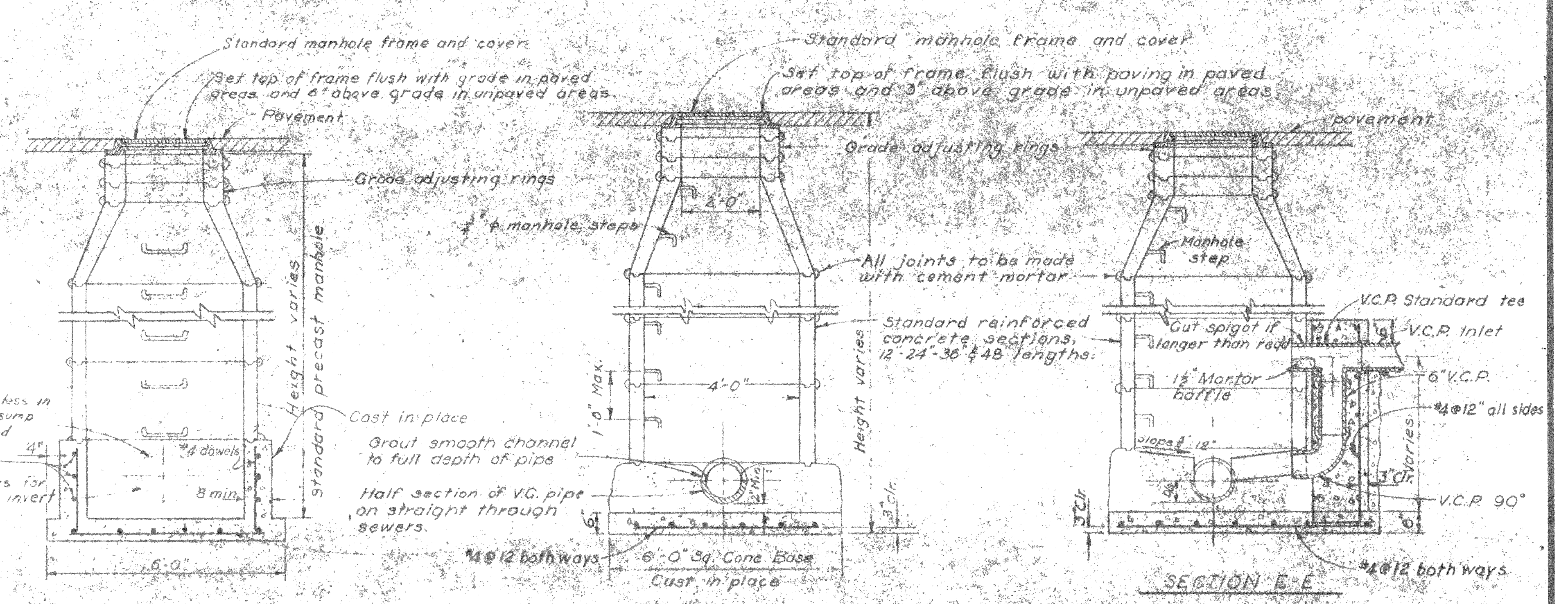




PLAN HIGH MANHOLE PLAN MANHOLE AT BEND PLAN JUNCTION MANHOLE

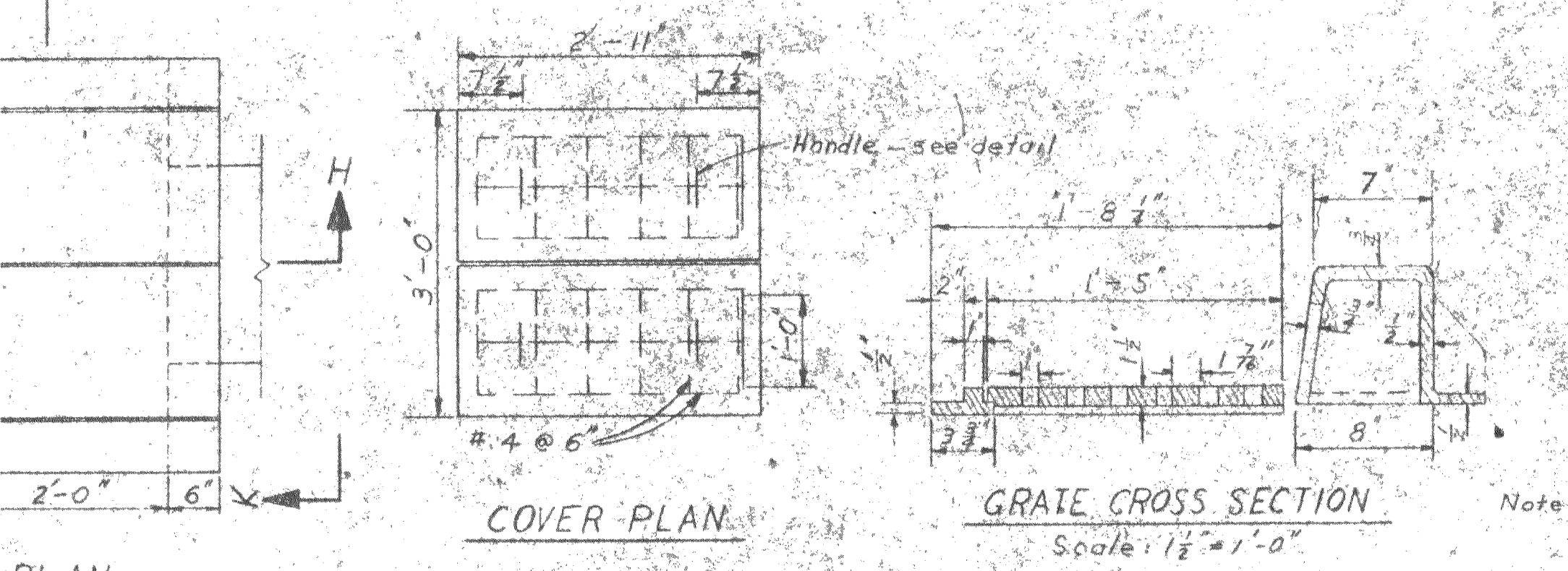


SECTION A-A HIGH MANHOLE SECTION B-B MANHOLE AT BEND SECTION C-C JUNCTION MANHOLE

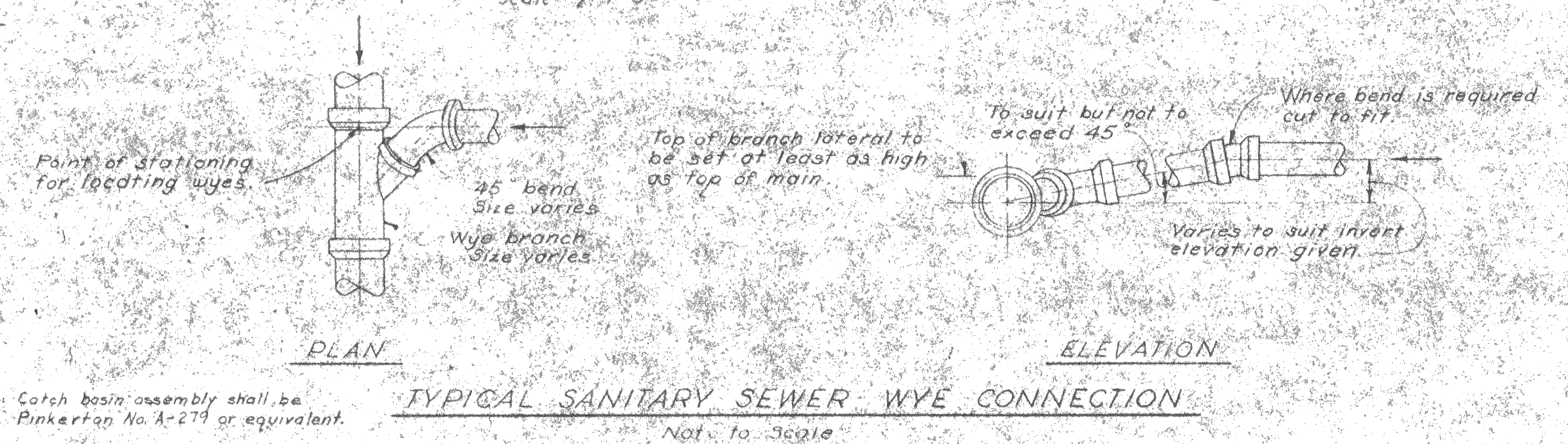


TYPICAL STORM DRAIN MANHOLE DETAIL Scale: 1/2" = 1'-0" TYPICAL SANITARY SEWER MANHOLE DETAIL Scale: 1/2" = 1'-0"

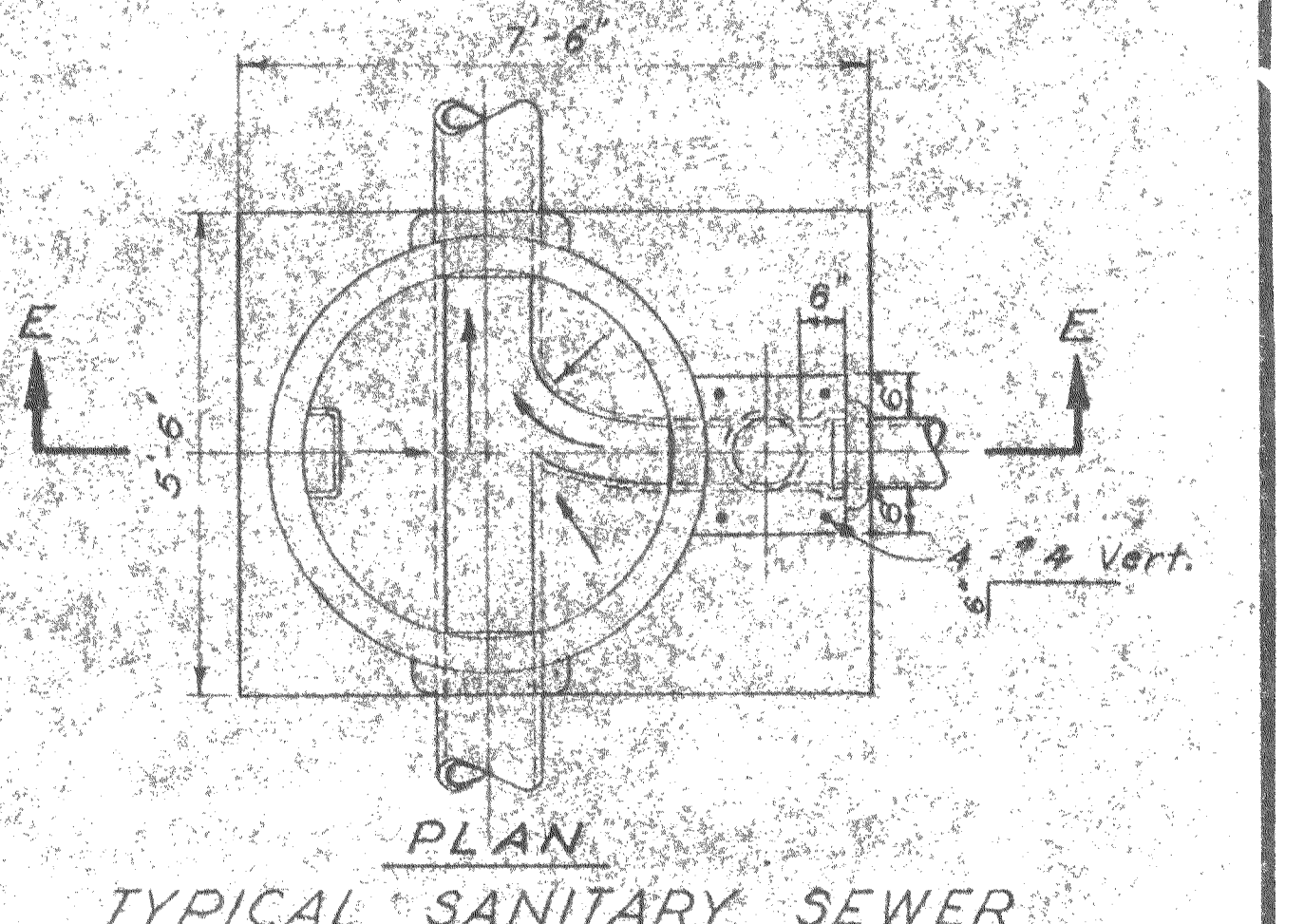
TYPICAL SANITARY SEWER MANHOLE BOTTOM DETAILS Not to Scale



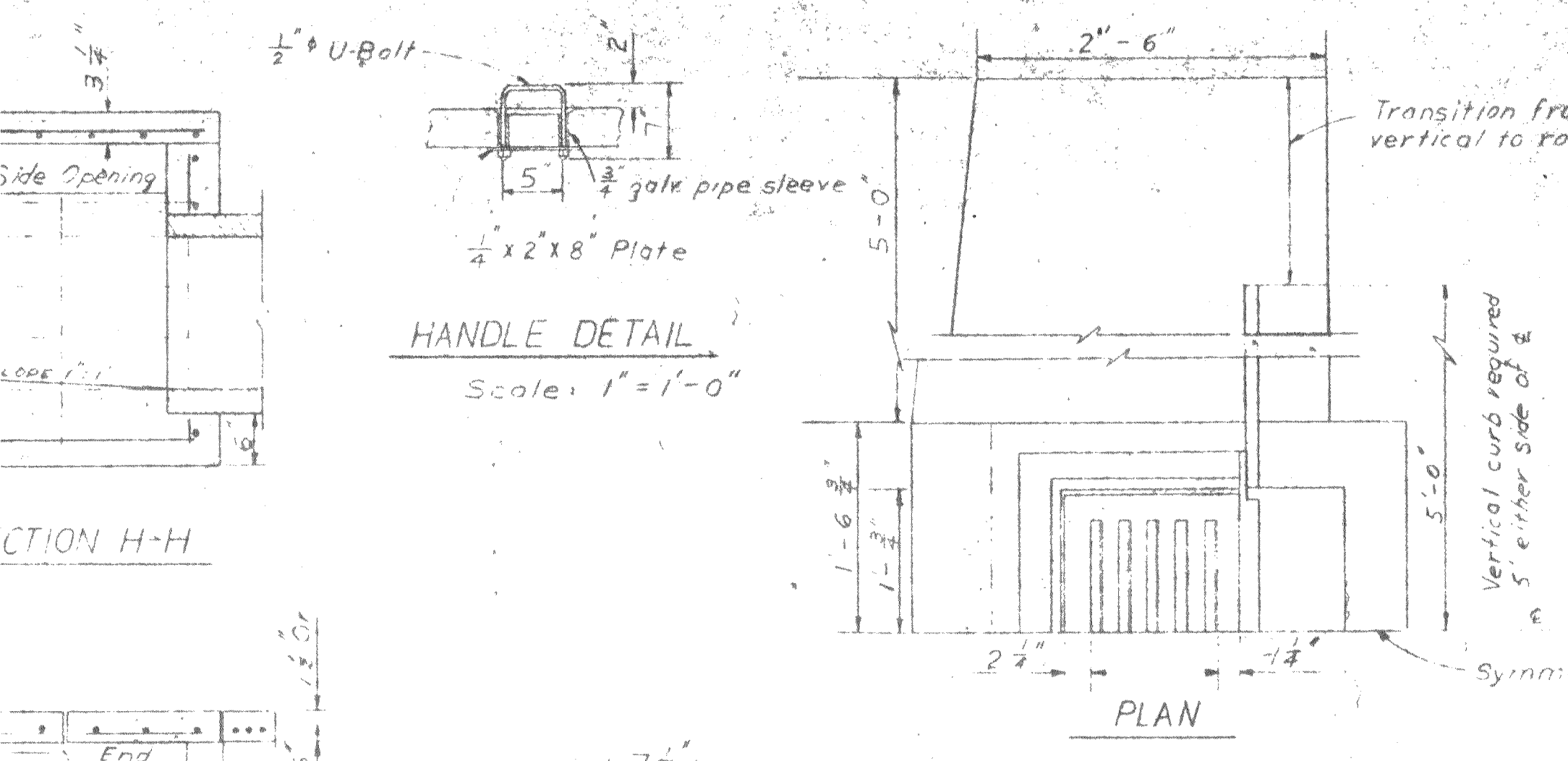
COVER PLAN Scale: 1/2" = 1'-0" GRATE CROSS SECTION Scale: 1/2" = 1'-0"



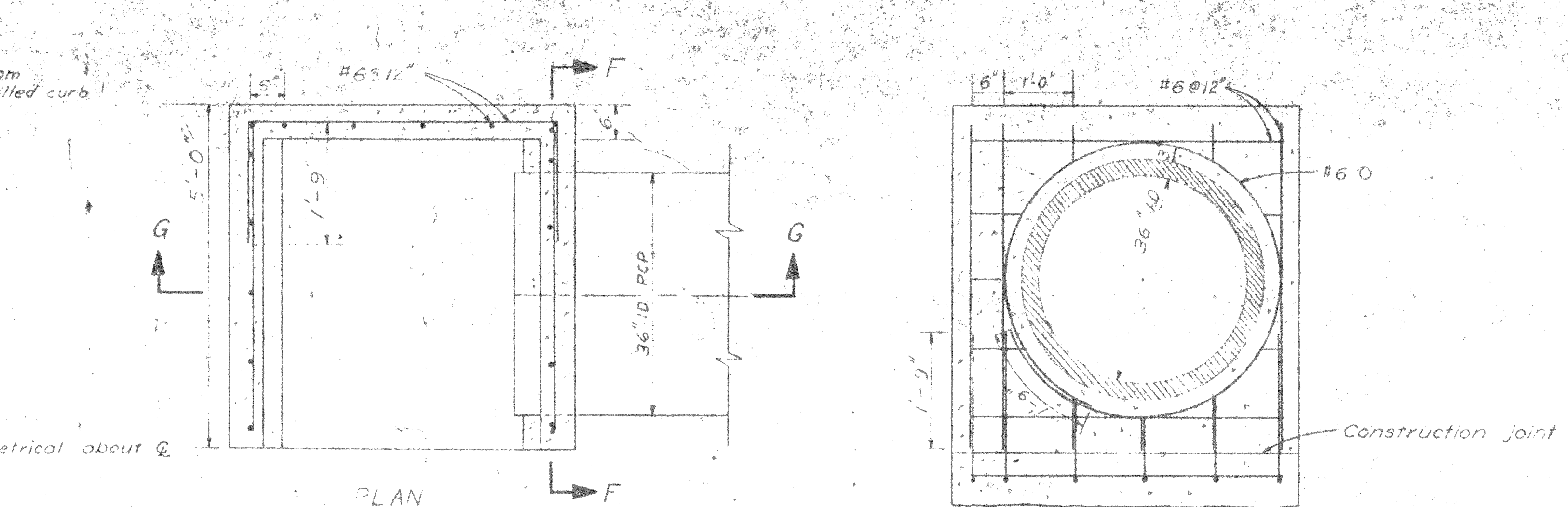
TYPICAL SANITARY SEWER WYE CONNECTION Not to Scale



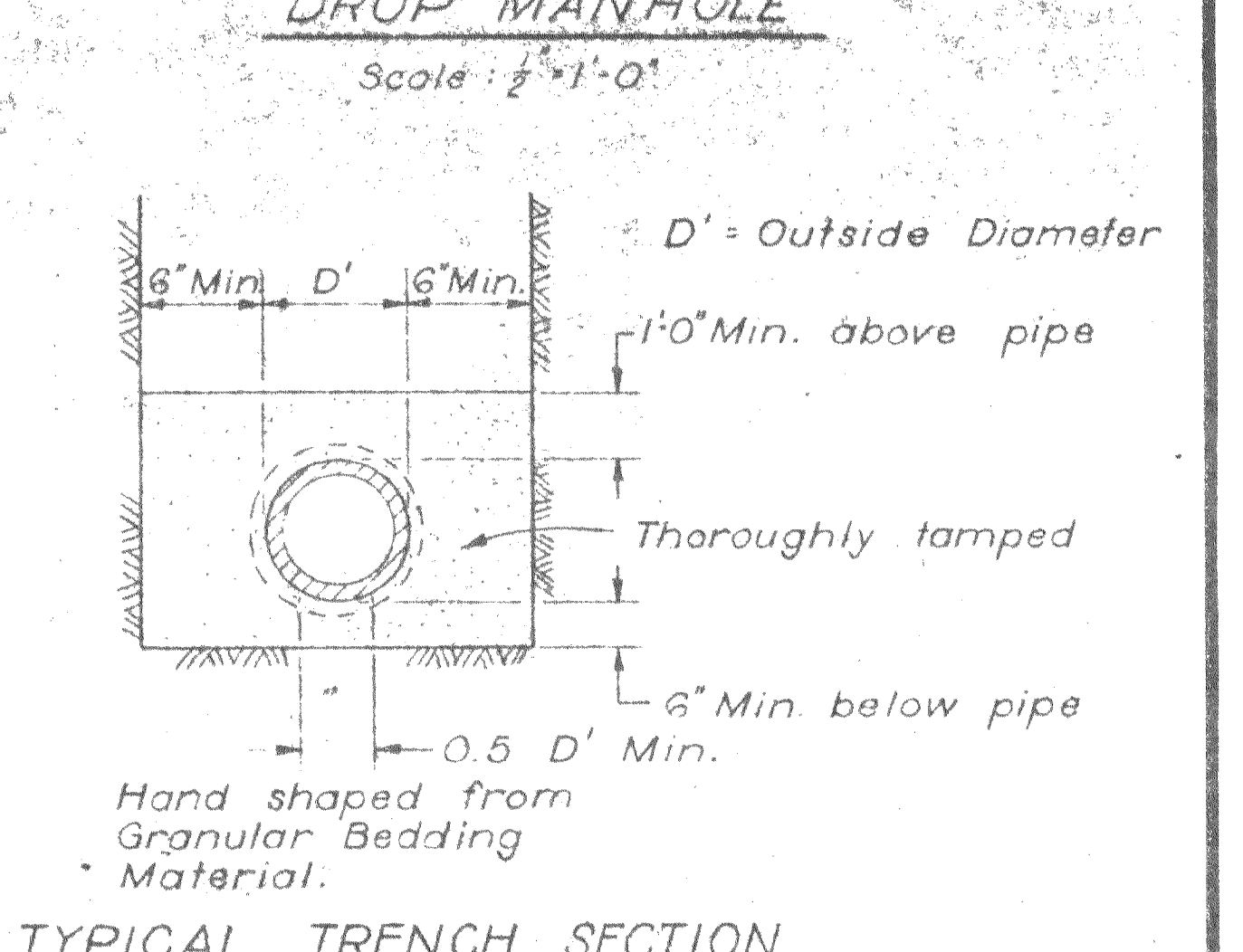
TYPICAL SANITARY SEWER DROP MANHOLE Scale: 1/2" = 1'-0"



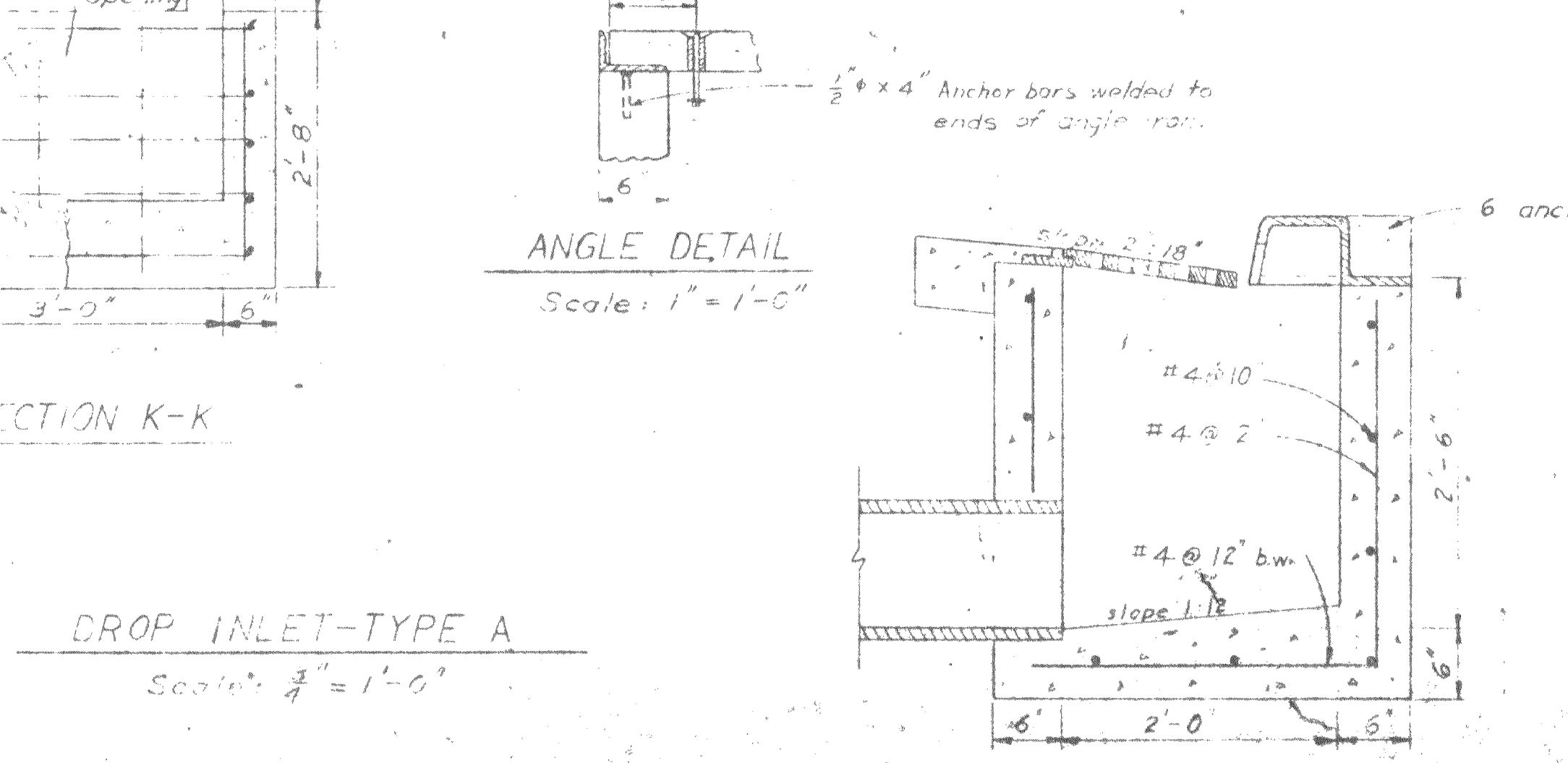
HANDLE DETAIL Scale: 1" = 1'-0"



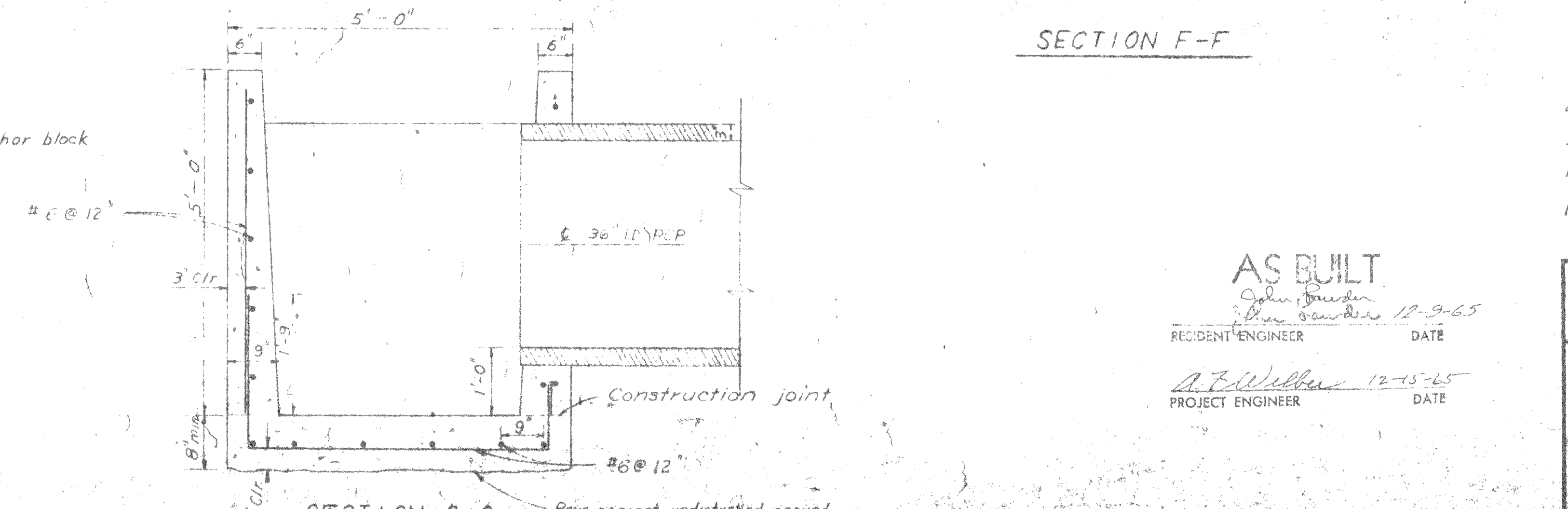
TYPICAL SECTION Scale: 1/2" = 1'-0" SECTION F-F



TYPICAL TRENCH SECTION Not to Scale



DROP INLET-TYPE A Scale: 1/2" = 1'-0" TYPICAL SECTION GUTTER DRAIN BOX Scale: 1/2" = 1'-0"



SECTION G-G Scale: 1/2" = 1'-0" SIDE-DISCHARGE BUCKET Scale: 1/2" = 1'-0"

AS BUILT  
 John Gaudin  
 Project Engineer 12-9-65  
 A.F. Walker  
 Project Engineer 12-15-65

STATE OF CALIFORNIA  
 RESOURCES AGENCY OF CALIFORNIA  
 DEPARTMENT OF WATER RESOURCES  
 DIVISION OF DESIGN AND CONSTRUCTION  
 STATE WATER FACILITIES  
 OROVILLE DIVISION  
 CONSTRUCTION HEADQUARTERS  
 STORM DRAIN AND SANITARY  
 SEWER DETAILS

SUBMITTED: [Signature] DATE: AUG 27 1962

APPROVAL RECOMMENDED: [Signature] DATE: [ ]

APPROVAL RECOMMENDED: [Signature] DATE: [ ]

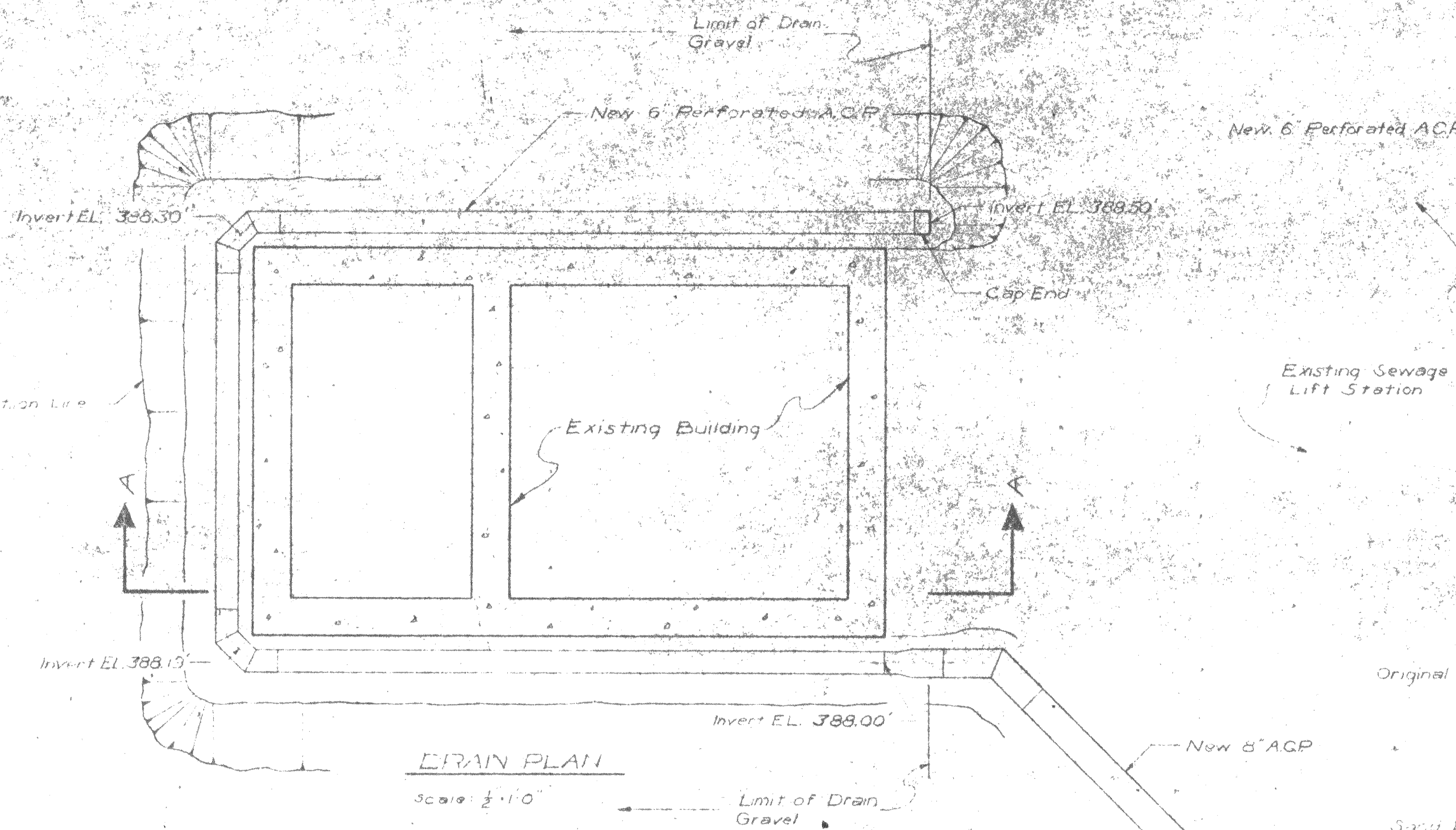
DESIGNED: [ ] DATE: [ ] DRAWN: [ ] DATE: [ ] CHECKED: [ ] DATE: [ ] REVIEWED: [ ] DATE: [ ]

DRAWING NO. A-12G6 SS-260

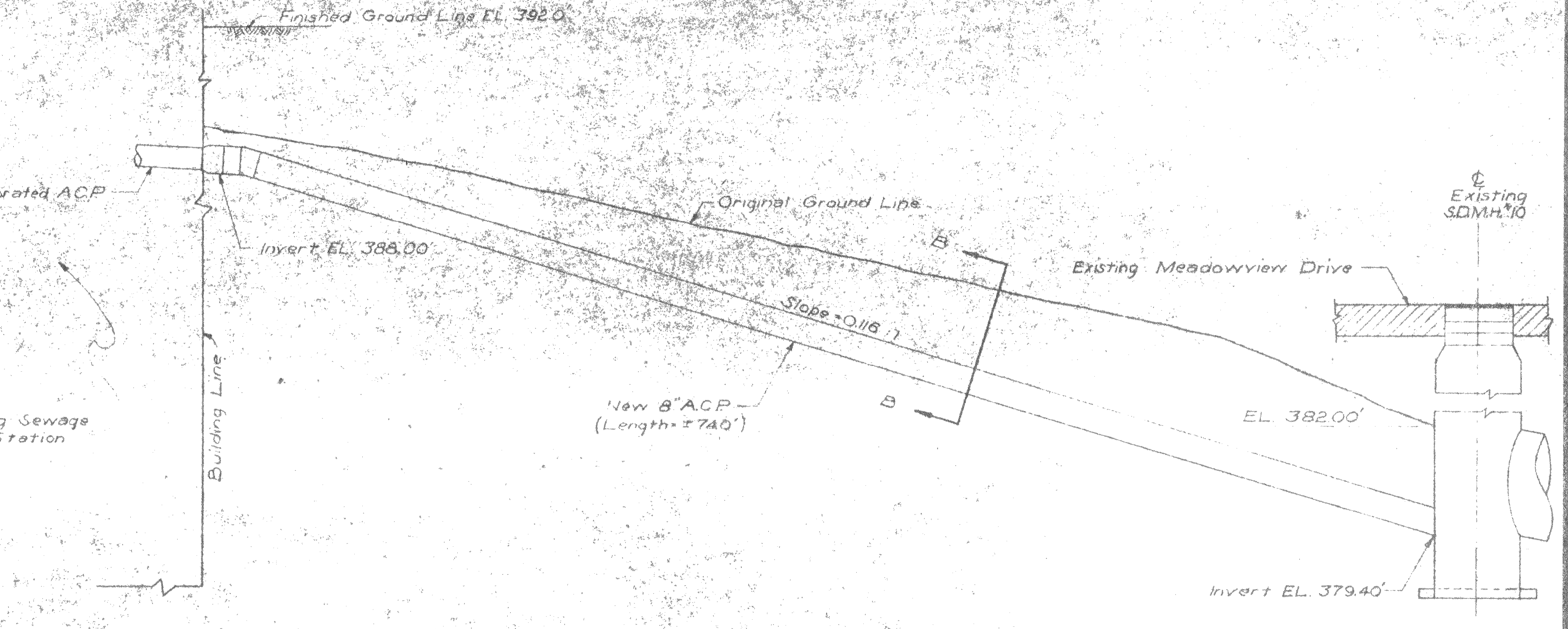




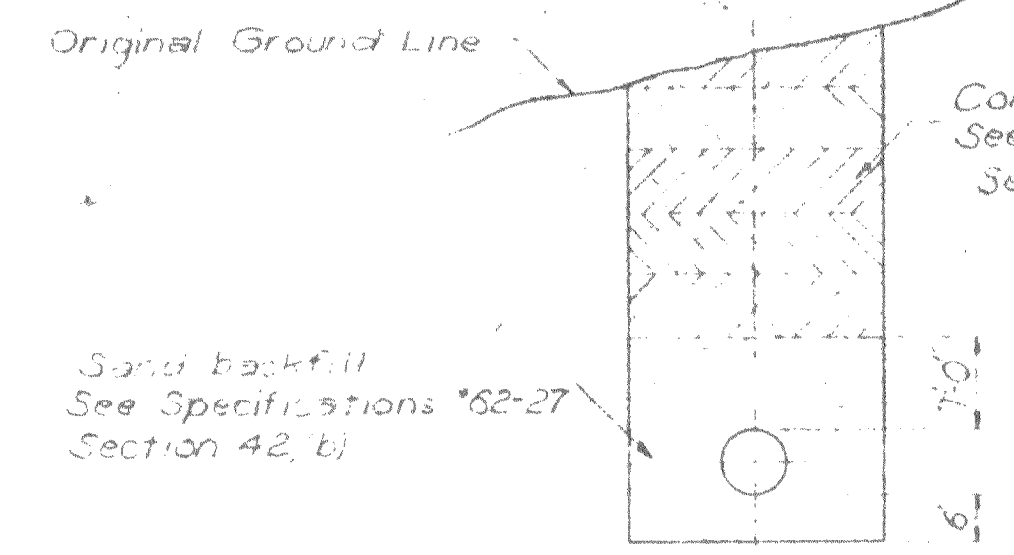




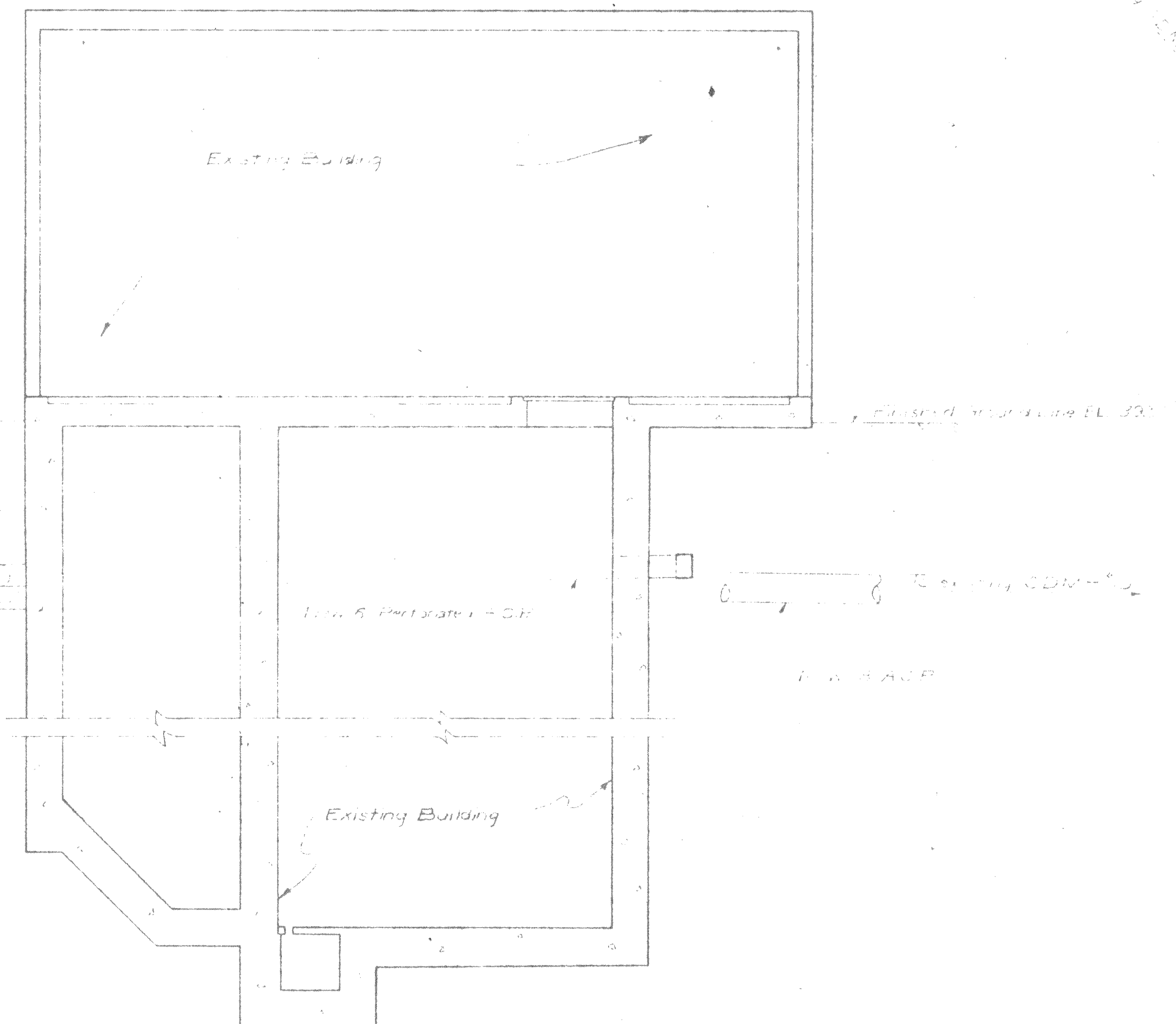
**DRAIN PLAN**  
Scale: 1/2" = 1'-0"



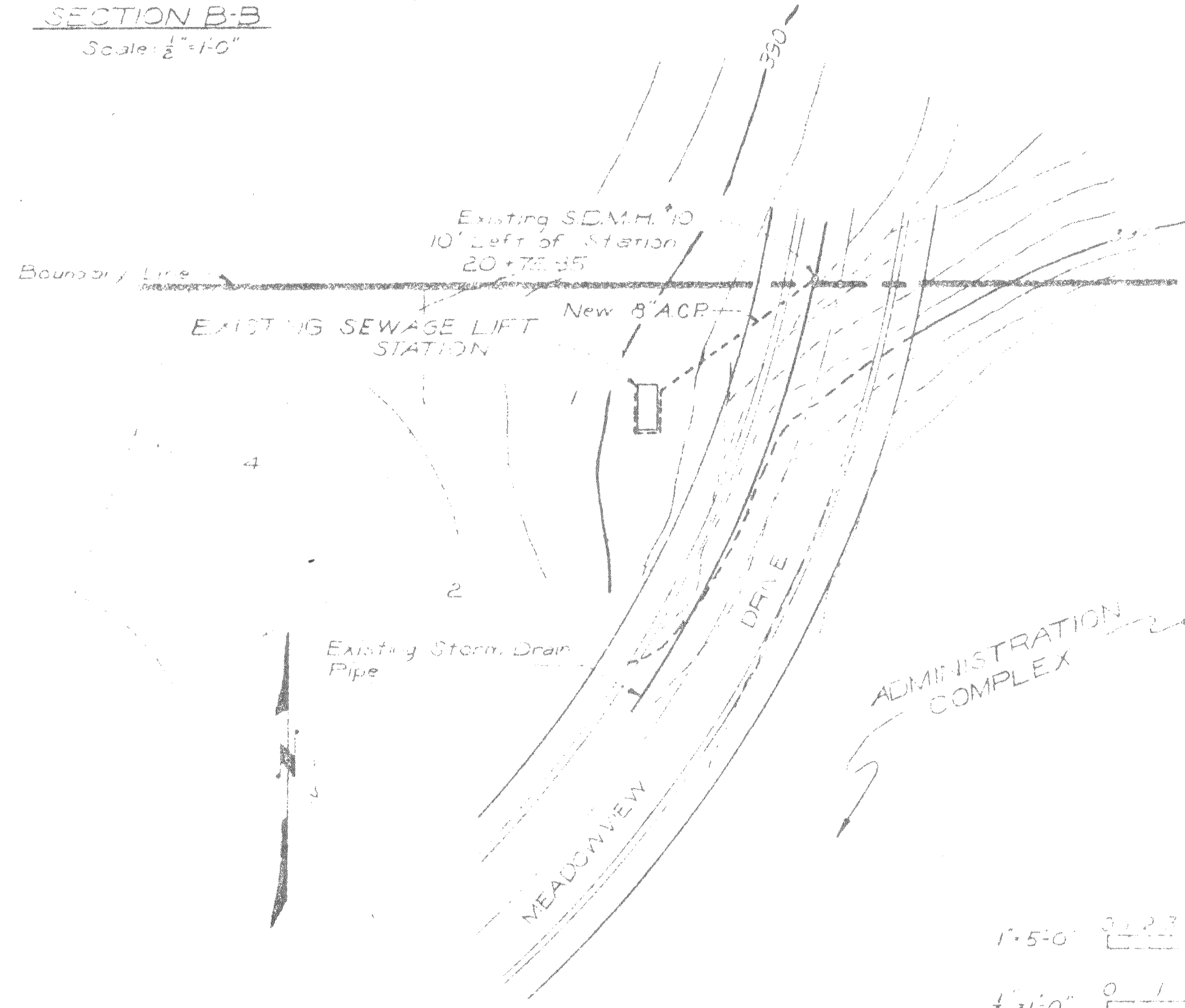
**PROFILE**  
Vertical Scale: 1" = 2'  
Horizontal Scale: 1" = 5'



**SECTION B-B**  
Scale: 1/2" = 1'-0"



**SECTION A-A**  
Scale: 1/2" = 1'-0"



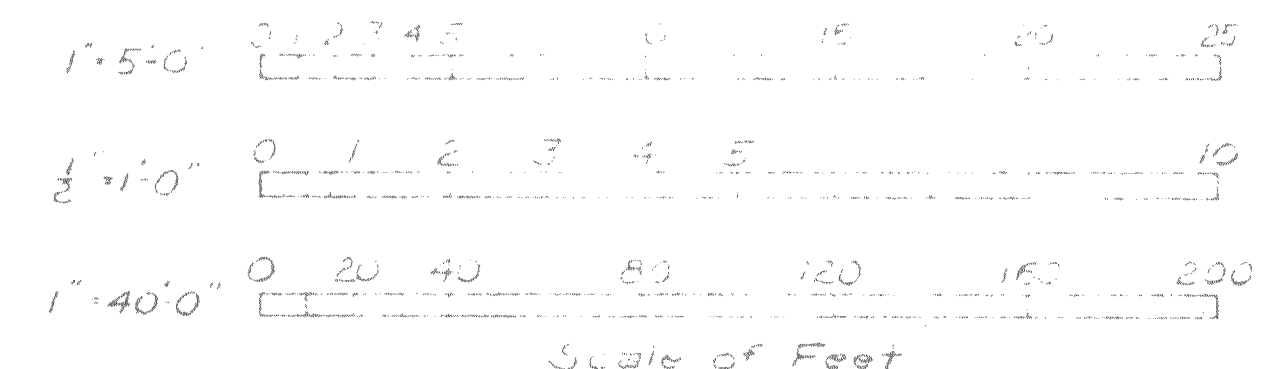
**SITE PLAN**  
Scale: 1" = 40'

**ABBREVIATIONS**

- ACP - Asbestos Cement Pipe
- EL - Elevation
- SDMH - Storm Drain Man Hole
- M - Minimum

**AS BUILT**

DATE: 2-3-63  
PROJECT ENGINEER: [Signature]  
DATE:



**SAFETY - as Necessary as WATER**

STATE OF CALIFORNIA  
THE RESOURCES AGENCY OF CALIFORNIA  
DEPARTMENT OF WATER RESOURCES  
DIVISION OF DESIGN AND CONSTRUCTION

STATE WATER FACILITIES  
OROVILLE DIVISION  
CONSTRUCTION HEADQUARTERS  
NEW SUB DRAIN AT SEWAGE  
LIFT STATION

Sheet 6 of 8

|                                 |                  |               |                      |                       |
|---------------------------------|------------------|---------------|----------------------|-----------------------|
| REVIEWED—STAFF ENGINEERING, BR. | DESIGNED: NEWTON | DRAWN: FURVIS | CHECKED: [Signature] | REVIEWED: [Signature] |
| DATE:                           | DATE:            | DATE:         | DATE:                | DATE:                 |

|                                   |                                   |                             |
|-----------------------------------|-----------------------------------|-----------------------------|
| SUBMITTED: [Signature]            | APPROVED: [Signature]             | DATE: APR 17 1963           |
| APPROVAL RECOMMENDED: [Signature] | APPROVAL RECOMMENDED: [Signature] | DRAWING NO. A-12 G16 SS-260 |