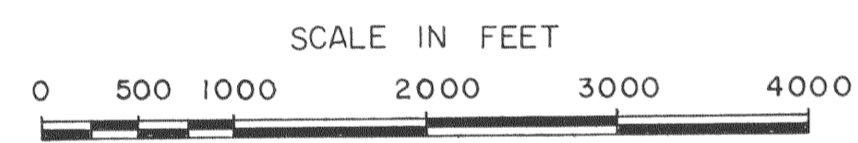


V I C I N I T Y M A P



CITY OF OROVILLE  
 OROVILLE, CALIFORNIA

MUNICIPAL SEWER DISTRICT NO. 1

PLANS FOR CONSTRUCTION OF  
 SANITARY SEWER PROJECT

Mayor- CONRAD W. WEISKER

Council Members

- ALBERT J. WALSH
- C. MYRON BUCK, JR.
- JACK J. McKILLOP
- DAIR A. TANDY
- JAMES SAVERCOOL
- WALTER C. SHANER

City Administrator- RALPH M. CARPENTER  
 Director of Engineering-HAROLD KROEGER

I N D E X T O S H E E T S

SHEET	TITLE	SHEET	TITLE
1	INDEX AND VICINITY MAP	18	PLAN AND PROFILE - "H" LINE
2	GENERAL MAP	19	PLAN AND PROFILE - "I" LINE
3	PLAN AND PROFILE - OUTFALL LINE & "A" LINE	20	PLAN AND PROFILE - "J" & "E" LINE
4-8	PLAN AND PROFILE - "A" LINE	21	PLAN AND PROFILE - "K" LINE
9-11	PLAN AND PROFILE - "B" LINE	22	PLAN AND PROFILE - "K" & "C" LINE
12	PLAN AND PROFILE - "C" LINE	23	ELECTRICAL AND FORCE MAIN PLANS
13-15	PLAN AND PROFILE - "D" LINE	24	MISCELLANEOUS DETAILS
16	PLAN AND PROFILE - "D" & "G" LINE	25	SEWAGE PUMPING STATION & MISCELLANEOUS DETAILS
17	PLAN AND PROFILE - "F" LINE		

L E G E N D

- Manhole & line to be constructed.
- Force main
- Existing water line
- Existing sewer
- Existing gas line
- R/W line and/or property line
- Power line
- Culvert
- Tree line
- Edge of pavement
- Mail box line
- Major ditch
- V.C.P. Vitrified clay pipe
- M.H. Manhole
- C.I. Cast iron

"AS - BUILT"

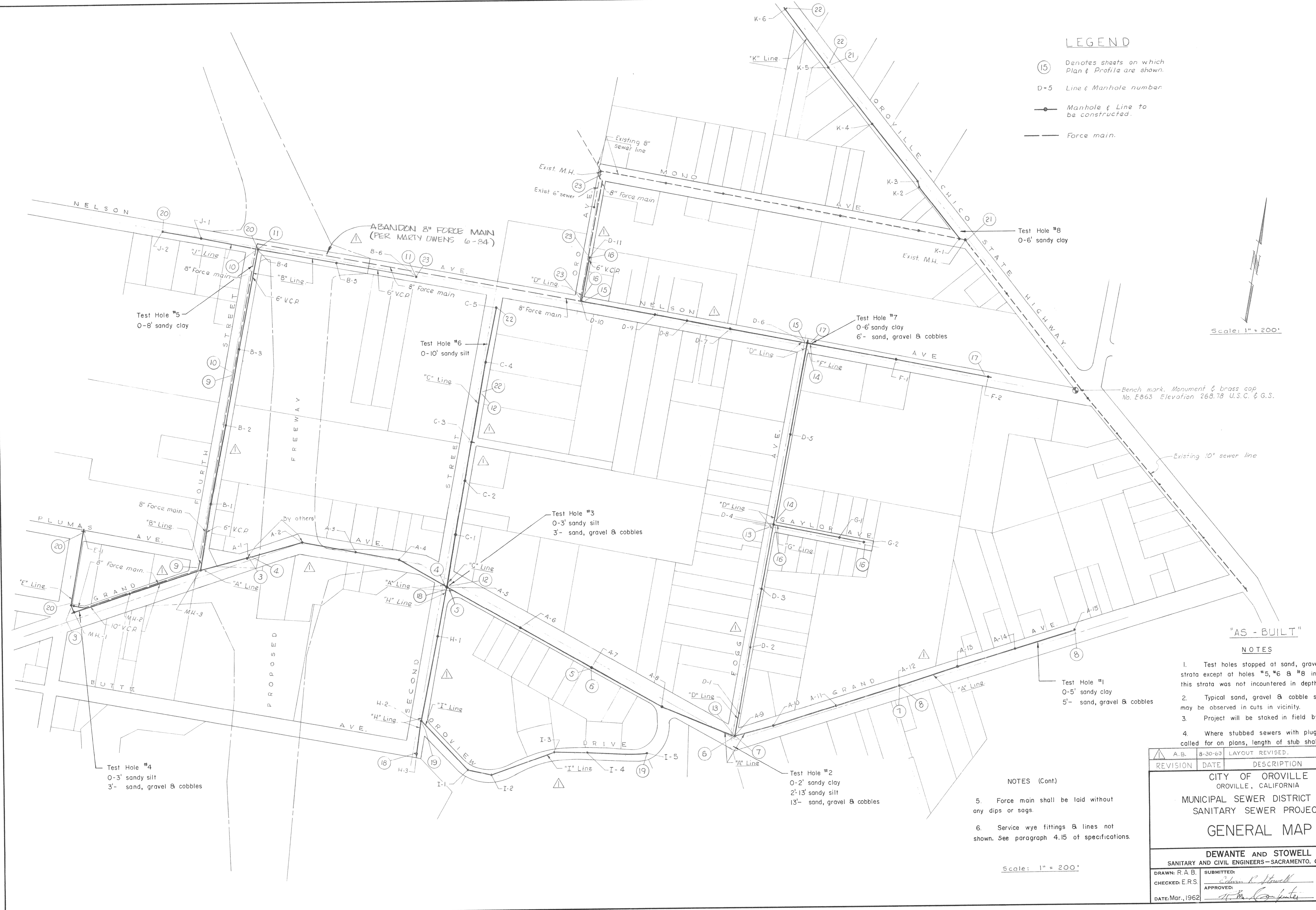
CITY OF OROVILLE  
 OROVILLE, CALIFORNIA

MUNICIPAL SEWER DISTRICT NO. 1  
 SANITARY SEWER PROJECT

INDEX AND VICINITY MAP

DEWANTE AND STOWELL  
 SANITARY AND CIVIL ENGINEERS - SACRAMENTO, CALIFORNIA

DRAWN: R.A.B.	SUBMITTED: <i>[Signature]</i>	SHEET NO. 1
CHECKED: E.R.S.	APPROVED: <i>[Signature]</i>	OF 25
DATE: Mar., 1962		



**LEGEND**

- (15) Denotes sheets on which Plan & Profile are shown.
- D-5 Line & Manhole number.
- Manhole & Line to be constructed.
- Force main.

Scale: 1" = 200'

**"AS - BUILT"**

**NOTES**

1. Test holes stopped at sand, gravel & strata except at holes #5, #6 & #8 in which this strata was not encountered in depth bored.
2. Typical sand, gravel & cobble strata may be observed in cuts in vicinity.
3. Project will be staked in field by city.
4. Where stubbed sewers with plugs are called for on plans, length of stub shall be 1'.

**NOTES (Cont)**

5. Force main shall be laid without any dips or sags.
6. Service wye fittings & lines not shown. See paragraph 4.15 of specifications.

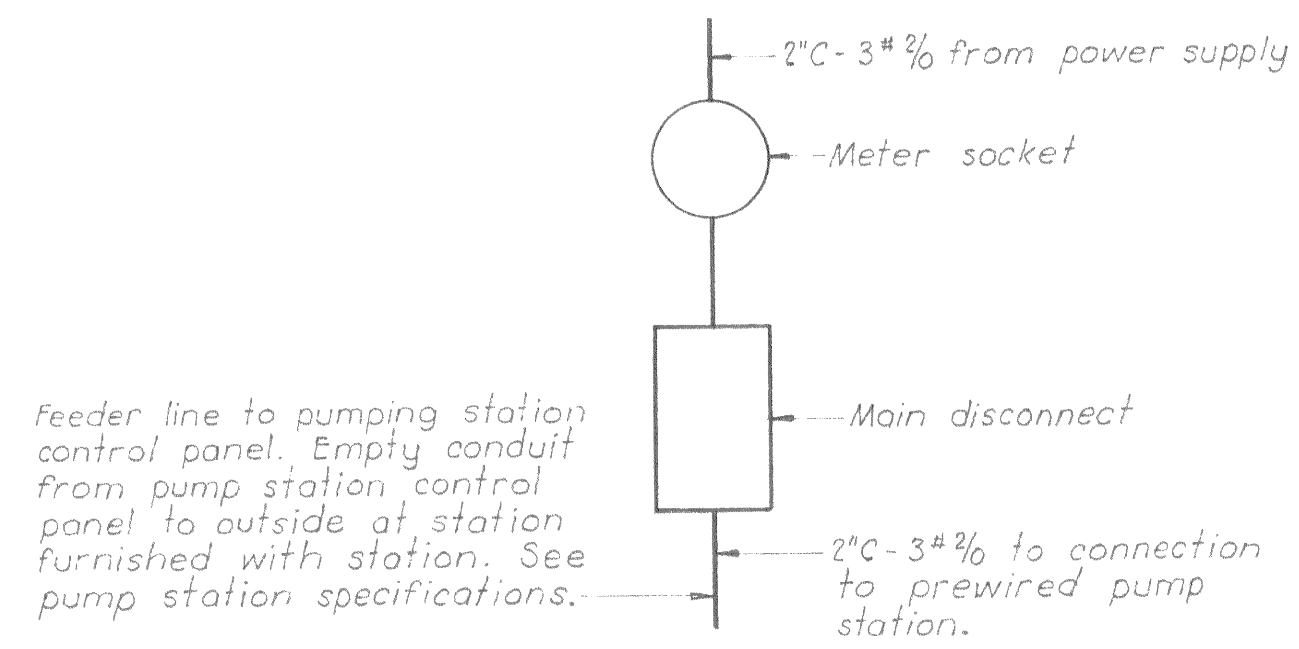
Scale: 1" = 200'

REVISION	DATE	DESCRIPTION	BY	APPD.
▲ A.B.	8-30-63	LAYOUT REVISED.	R.A.B.	E.R.S.

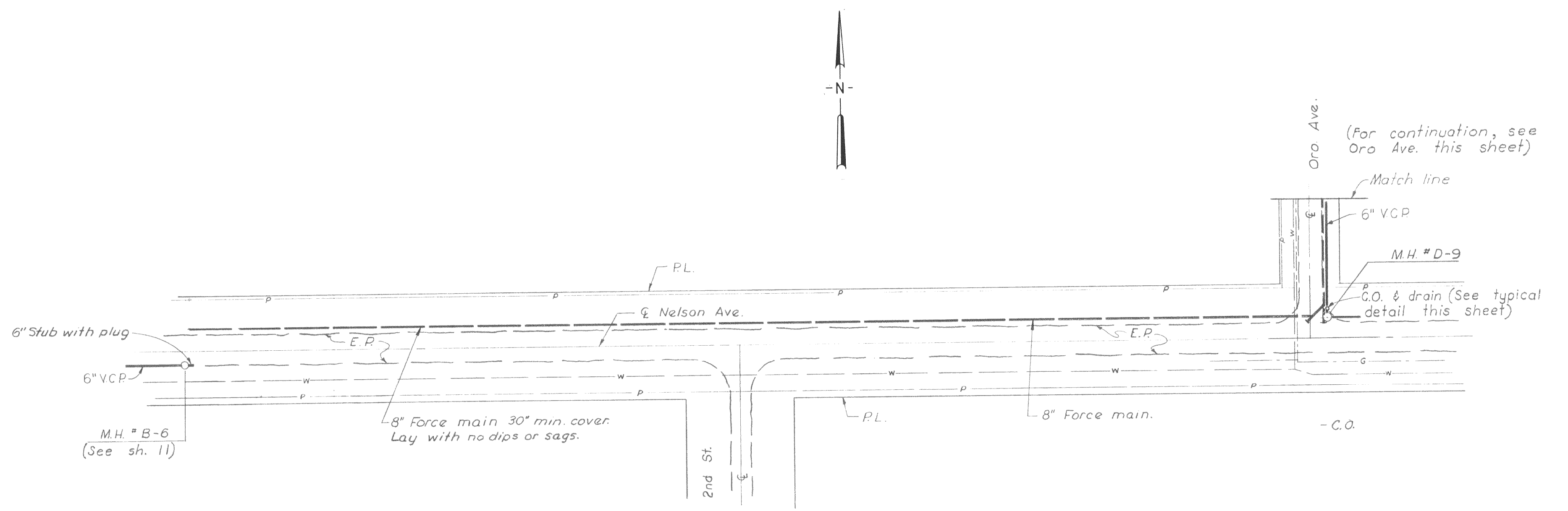
**CITY OF OROVILLE**  
 OROVILLE, CALIFORNIA  
**MUNICIPAL SEWER DISTRICT NO. 1**  
 SANITARY SEWER PROJECT  
**GENERAL MAP**

**DEWANTE AND STOWELL**  
 SANITARY AND CIVIL ENGINEERS—SACRAMENTO, CALIFORNIA

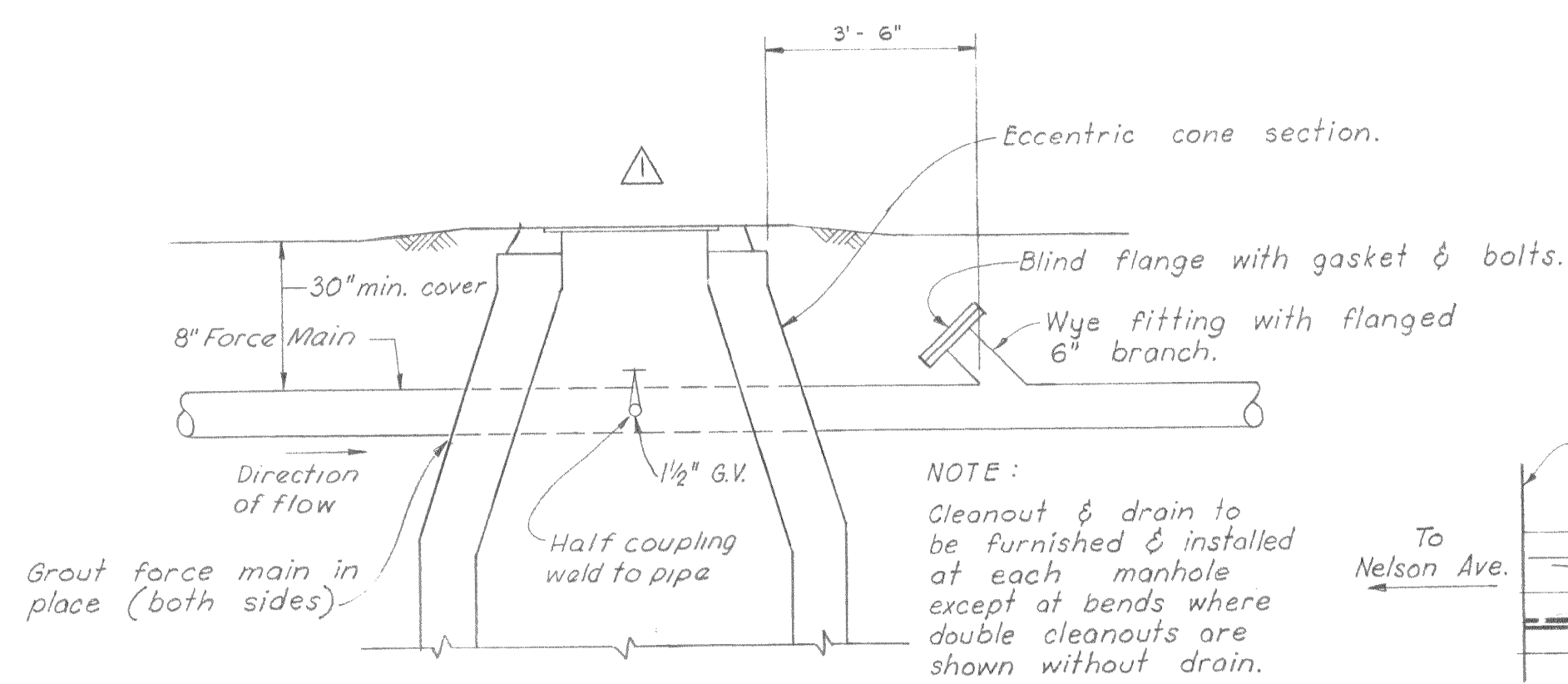
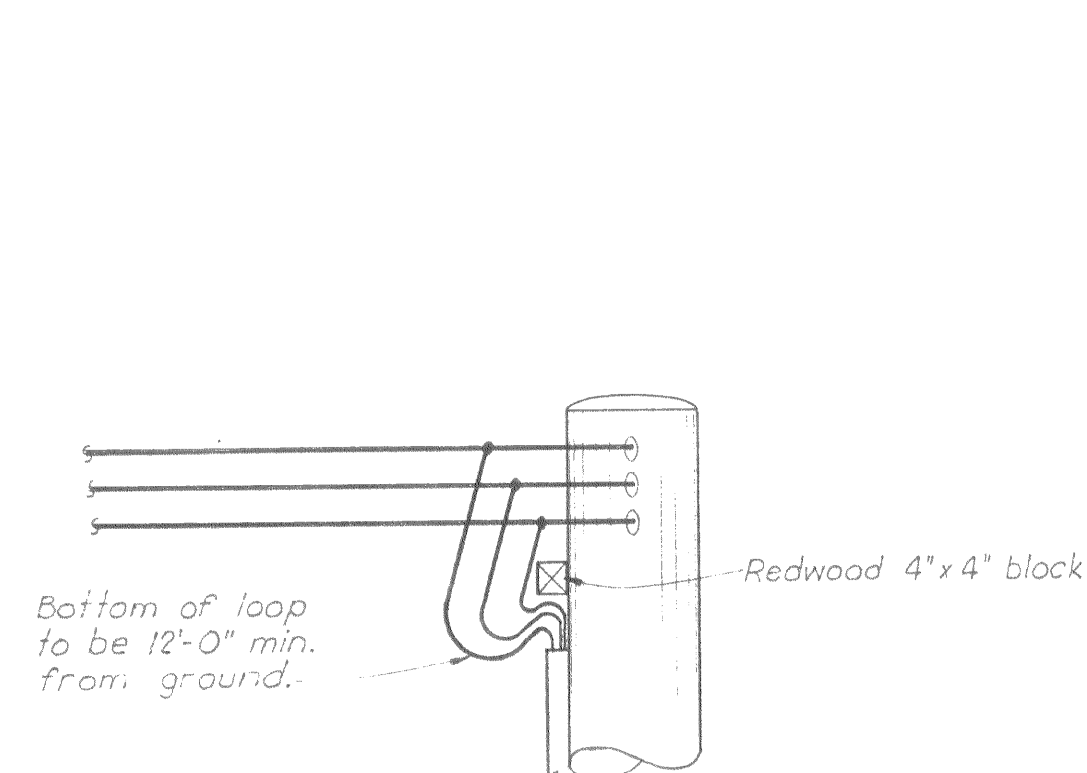
DRAWN: R.A.B.	SUBMITTED:	SHEET NO.
CHECKED: E.R.S.	APPROVED: <i>[Signature]</i>	2
DATE: Mar., 1962		of 25



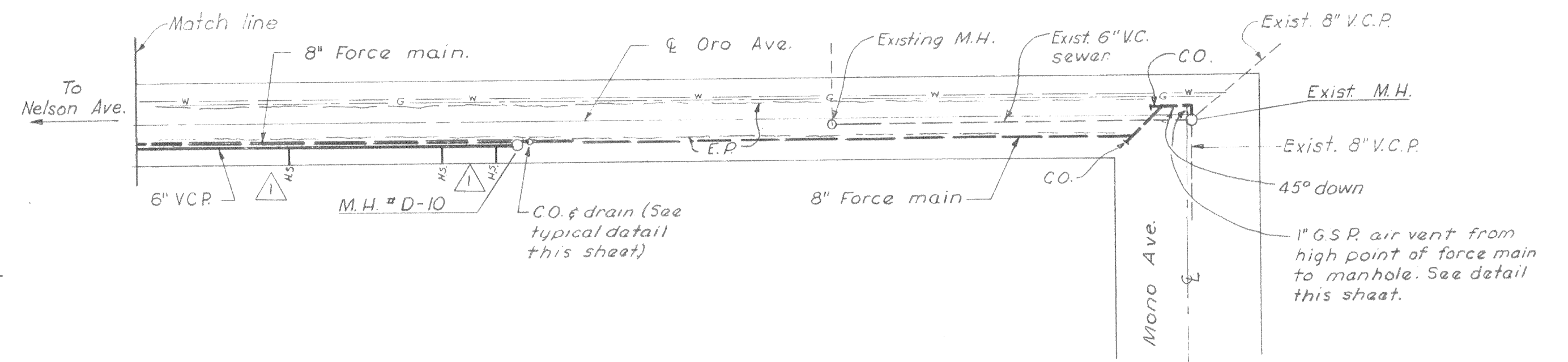
ELECTRICAL DIAGRAM



NELSON AVE  
Scale: 1" = 60'

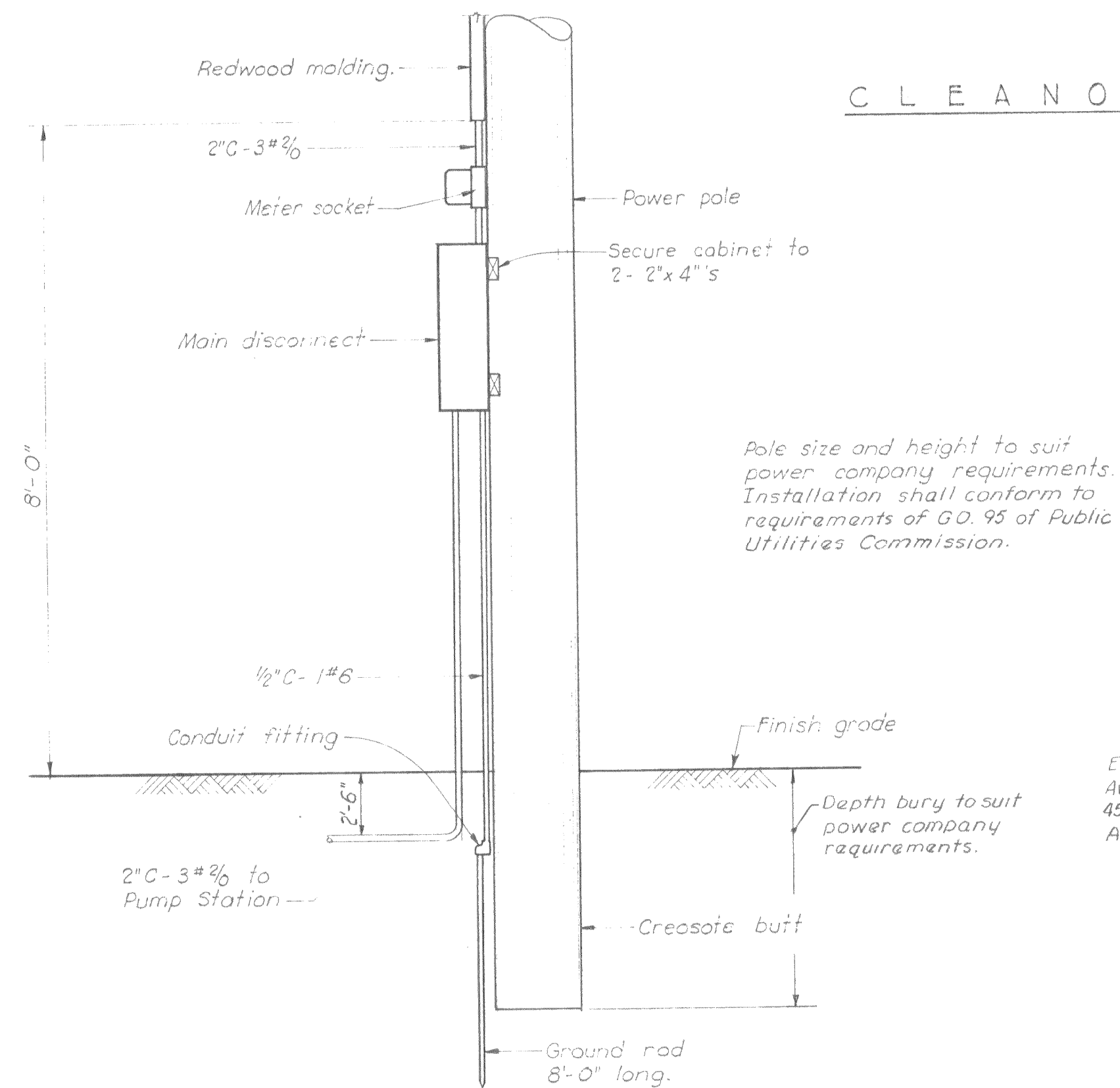


CLEANOUT & DRAIN DETAIL  
NO SCALE

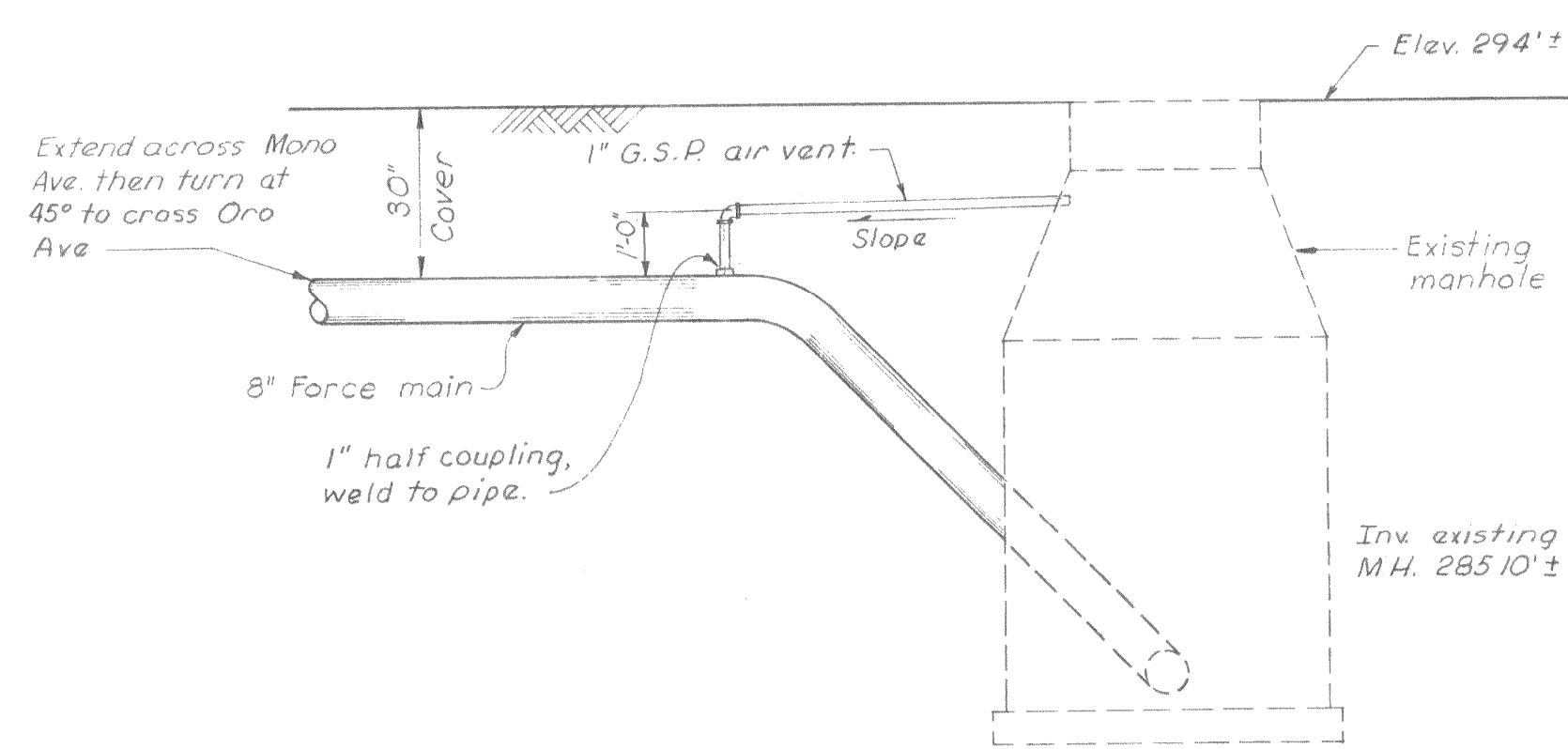


ORO AVE  
Scale: 1" = 60'

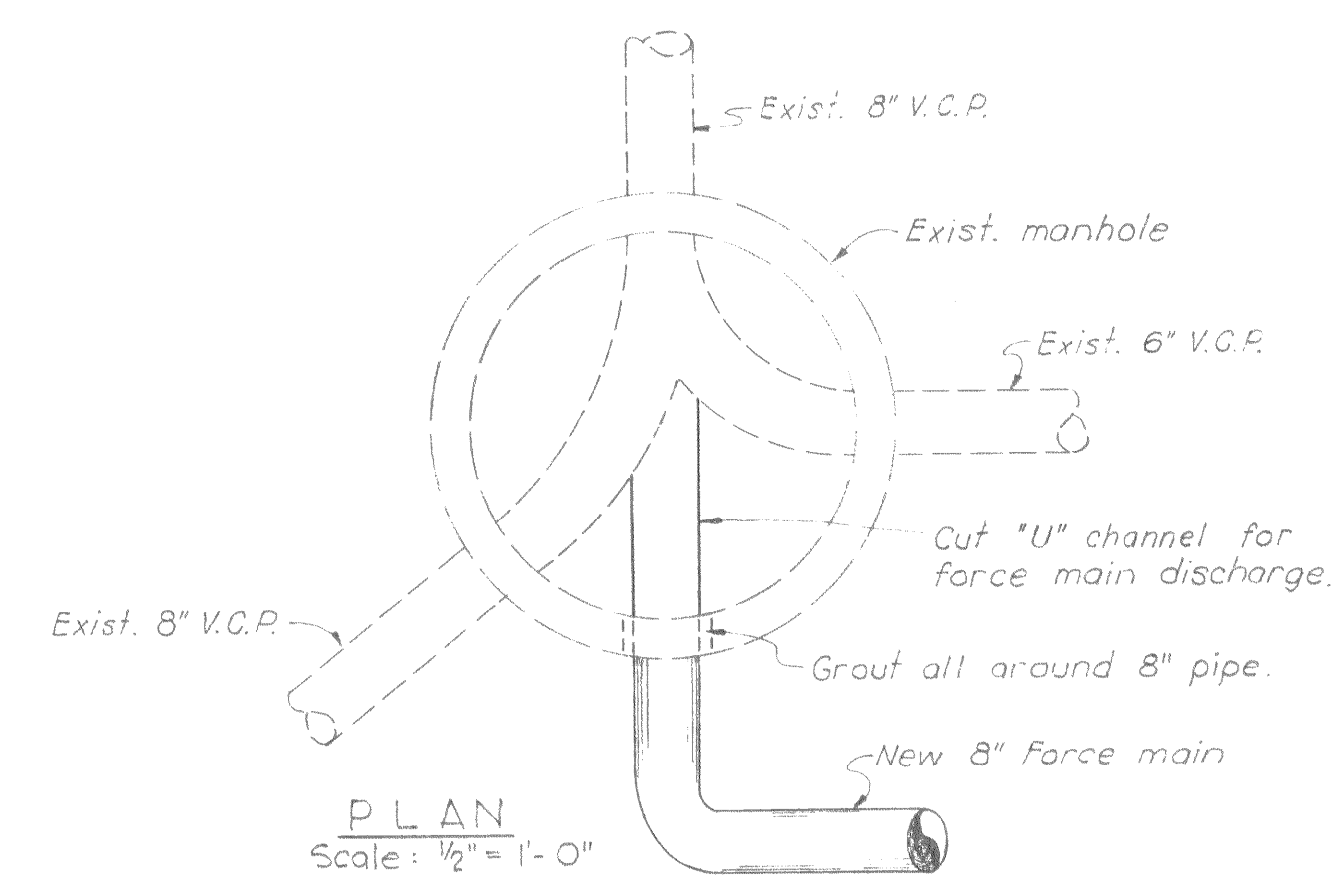
Note: Cleanouts in force main to consist of wye fitting with flange & blind flanged bolted in place with gasket & all flange bolts.



SERVICE POLE & EQUIPMENT  
Scale: None



ELEVATION  
Scale: 3/8" = 1'-0"  
FORCE MAIN DISCHARGE



PLANS OF FORCE MAIN

"AS - BUILT"

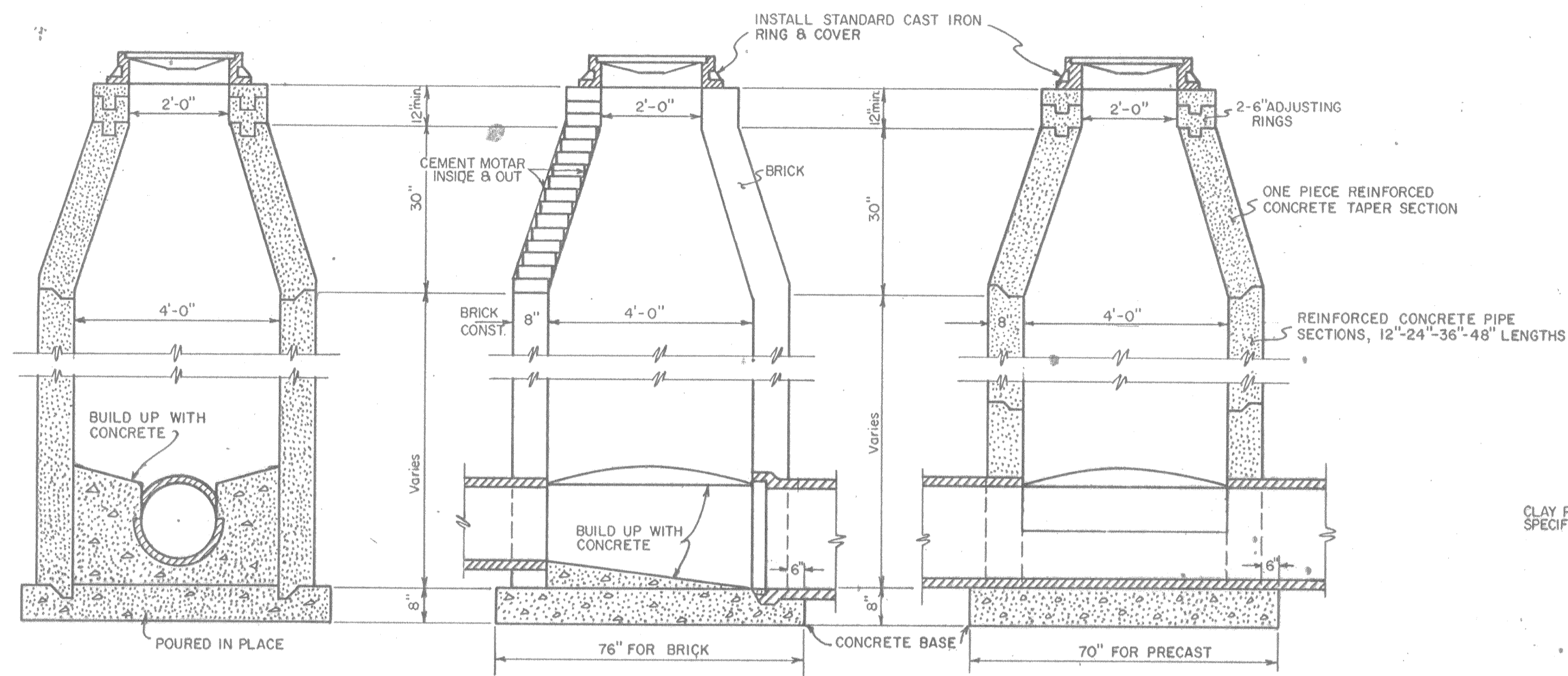
REVISION	DATE	DESCRIPTION	BY:	APPD:
△ A.B.		Relocated force main outside of manhole.	H.H.	E.R.S.

CITY OF OROVILLE  
OROVILLE, CALIFORNIA  
MUNICIPAL SEWER DISTRICT NO. 1  
SANITARY SEWER PROJECT  
ELECTRICAL AND  
FORCE MAIN PLANS

DEWANTE AND STOWELL  
SANITARY AND CIVIL ENGINEERS - SACRAMENTO, CALIFORNIA

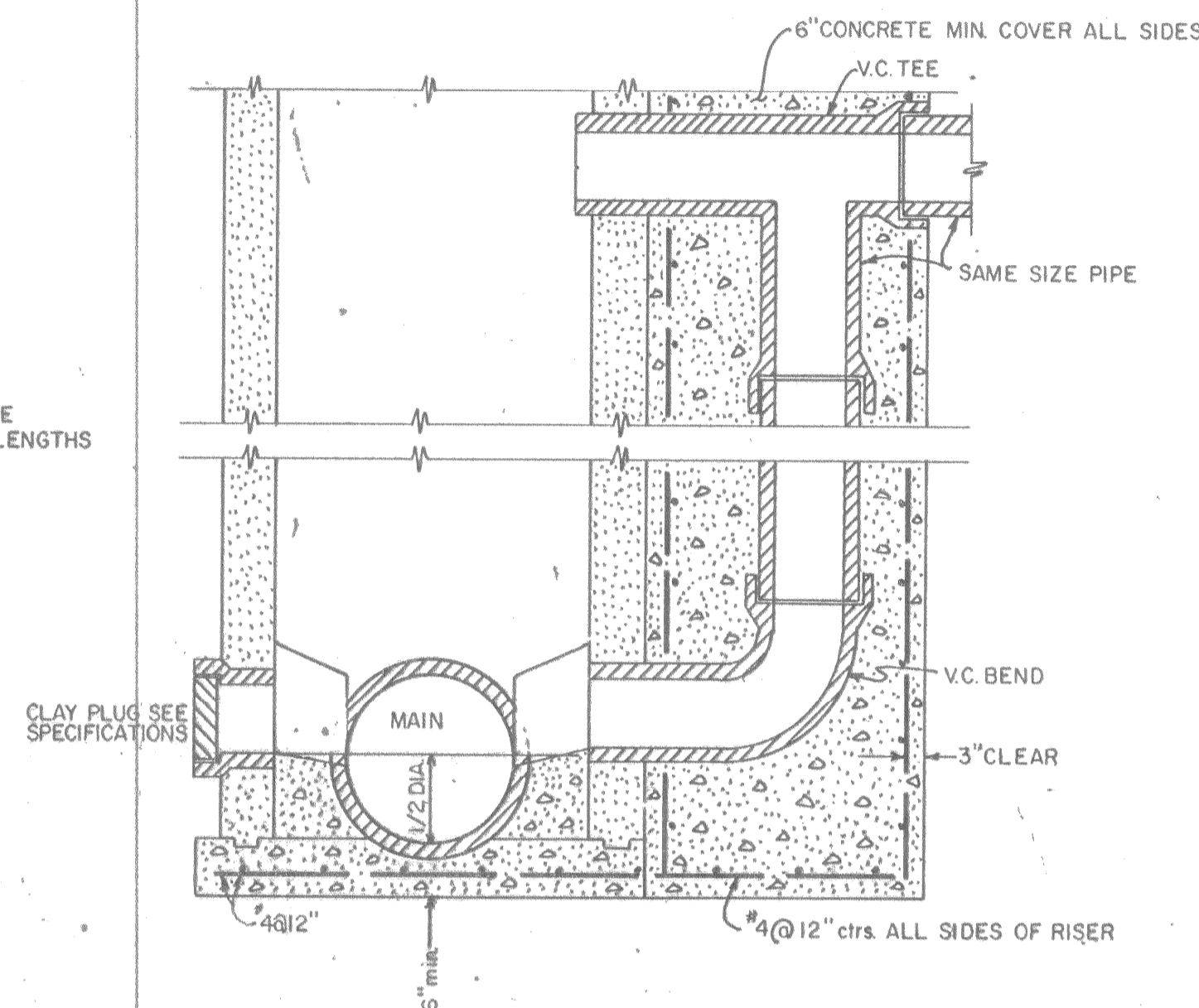
DRAWN: R.B.H.H. SUBMITTED: Edwin R. Stowell  
CHECKED: E.R.S. APPROVED: R.M. Carpenter  
DATE: Mar, 1962

SHEET NO. 23 OF 25



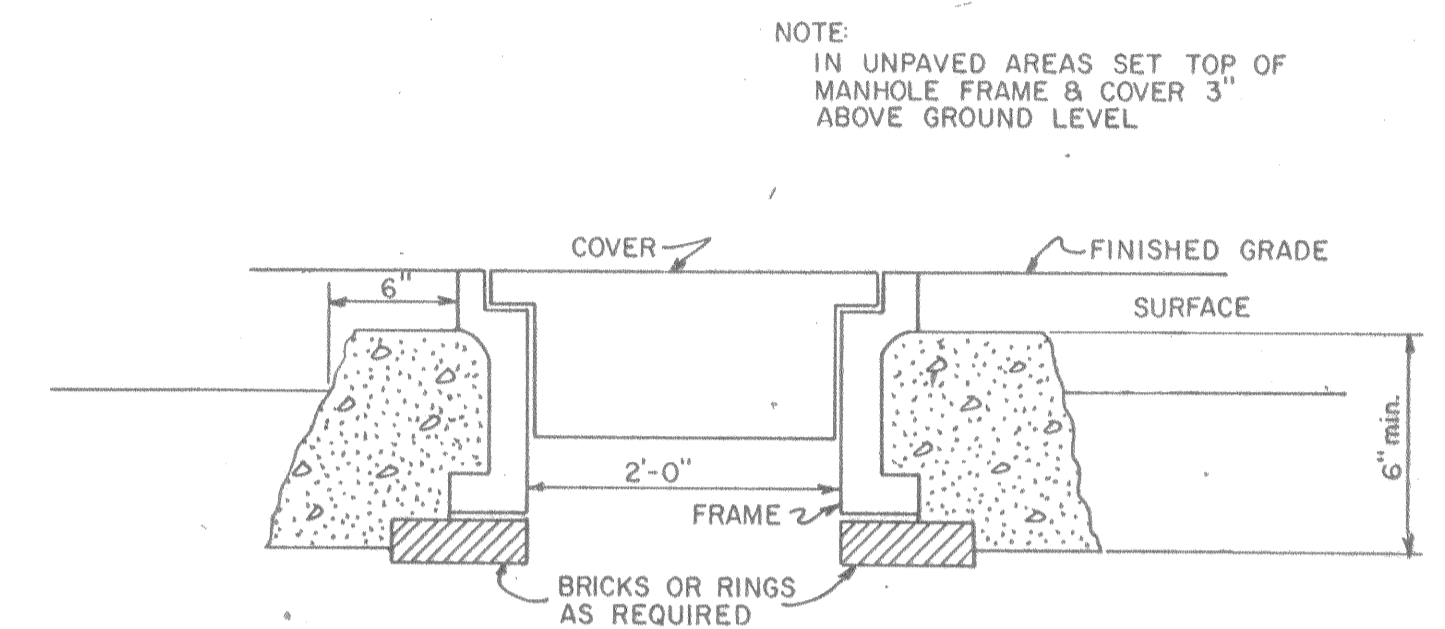
STANDARD MANHOLES PRECAST CONCRETE OR BRICK

NO SCALE



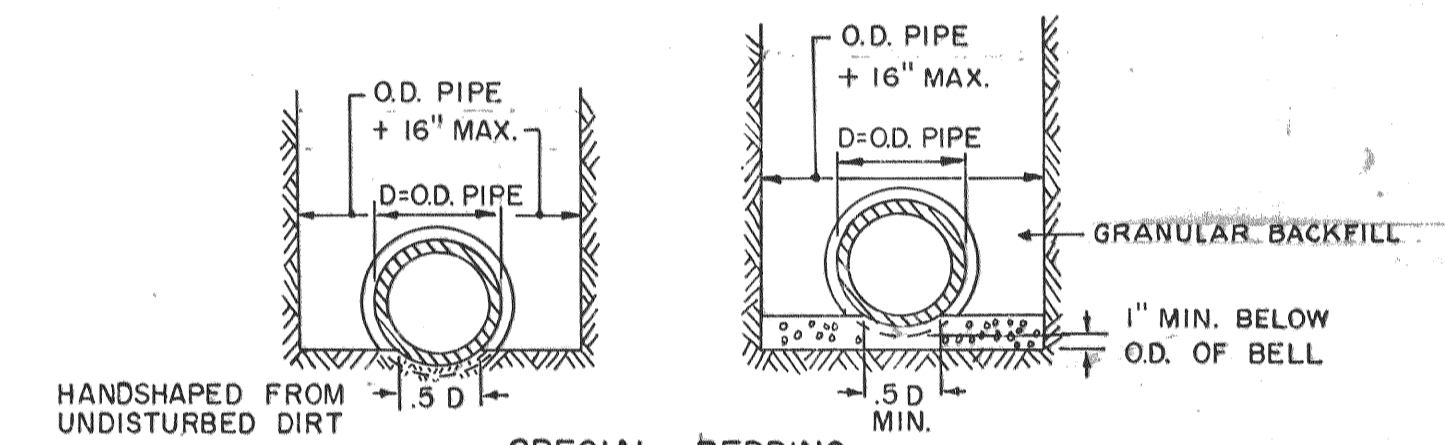
TYPICAL STUB & DROP MANHOLE

NO SCALE



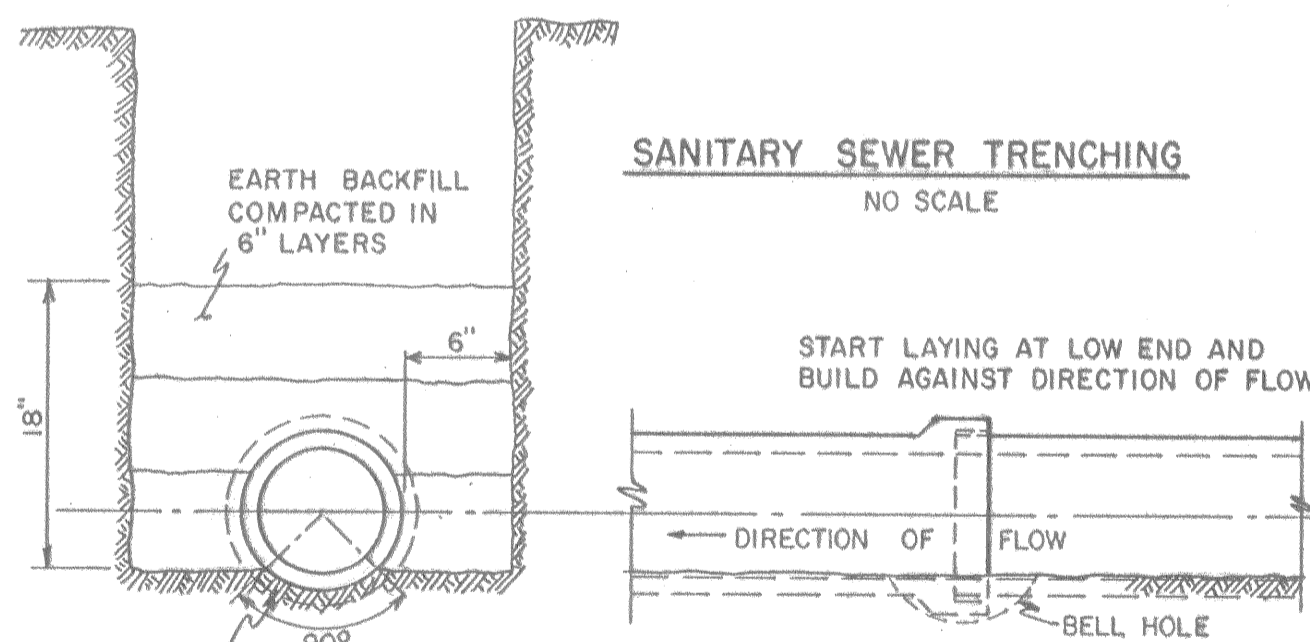
METHOD OF SETTING MANHOLE RING & COVER

NO SCALE



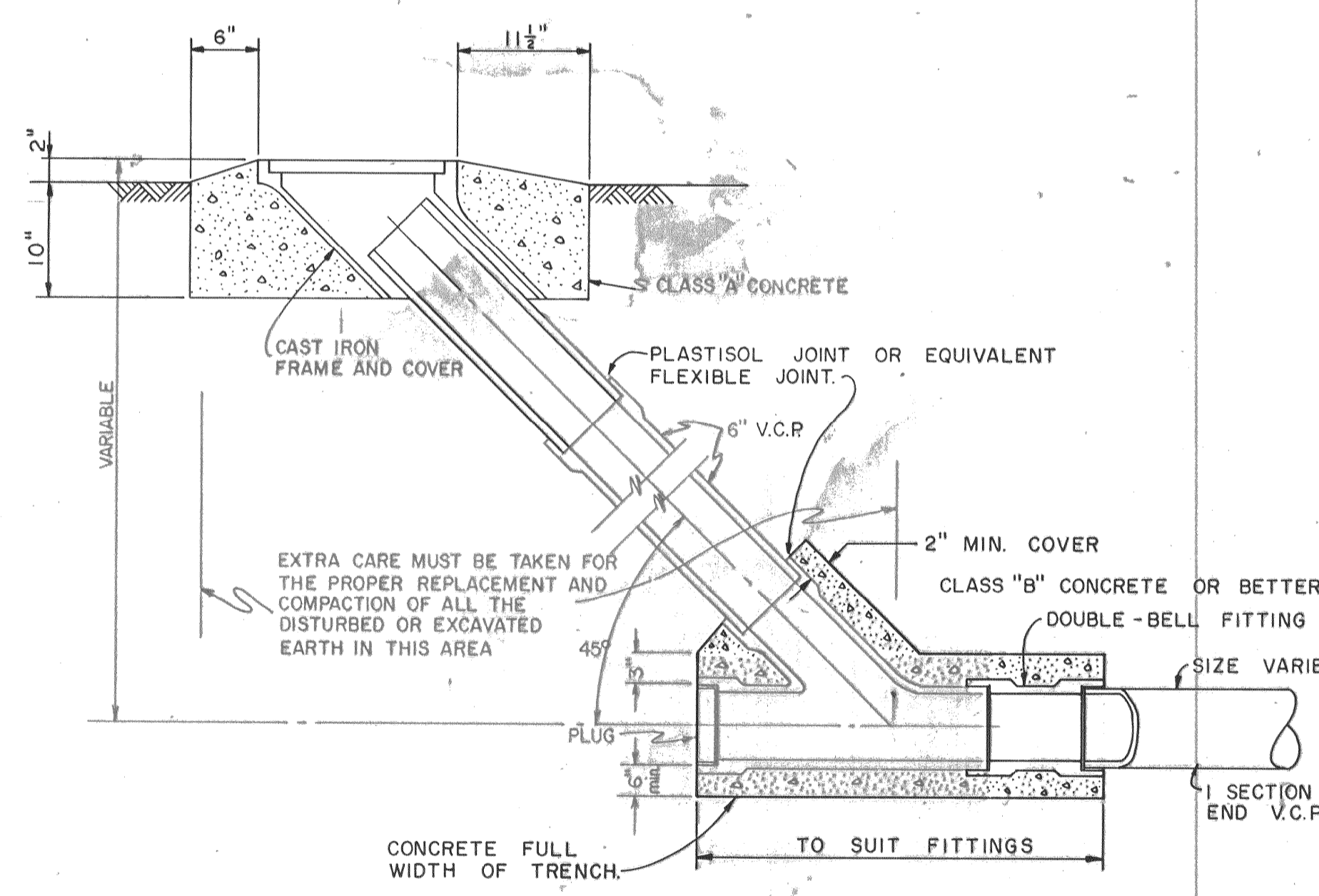
SPECIAL BEDDING

NO SCALE  
(FOR USE WHERE SPECIAL BEDDING AS ALTERNATIVE TO HOLDING WIDTH OF TRENCH AT TOP OF PIPE IS CALLED FOR ON PLANS.)



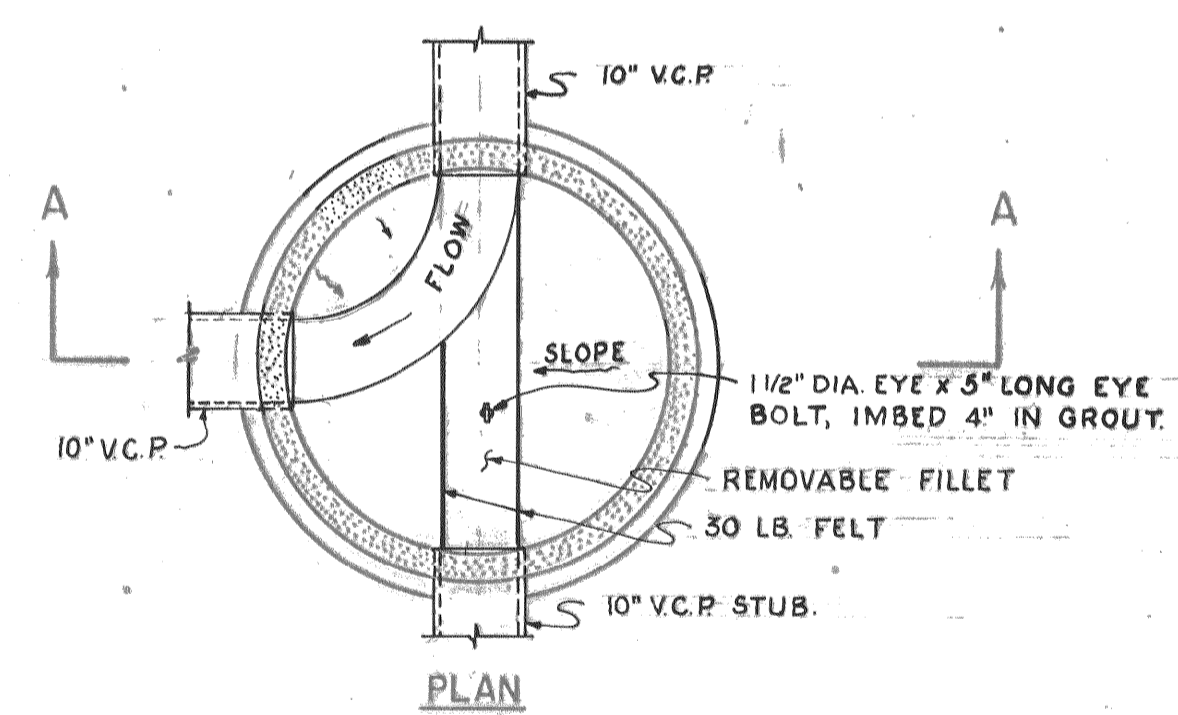
SANITARY SEWER TRENCHING

NO SCALE



FLUSHING BRANCH

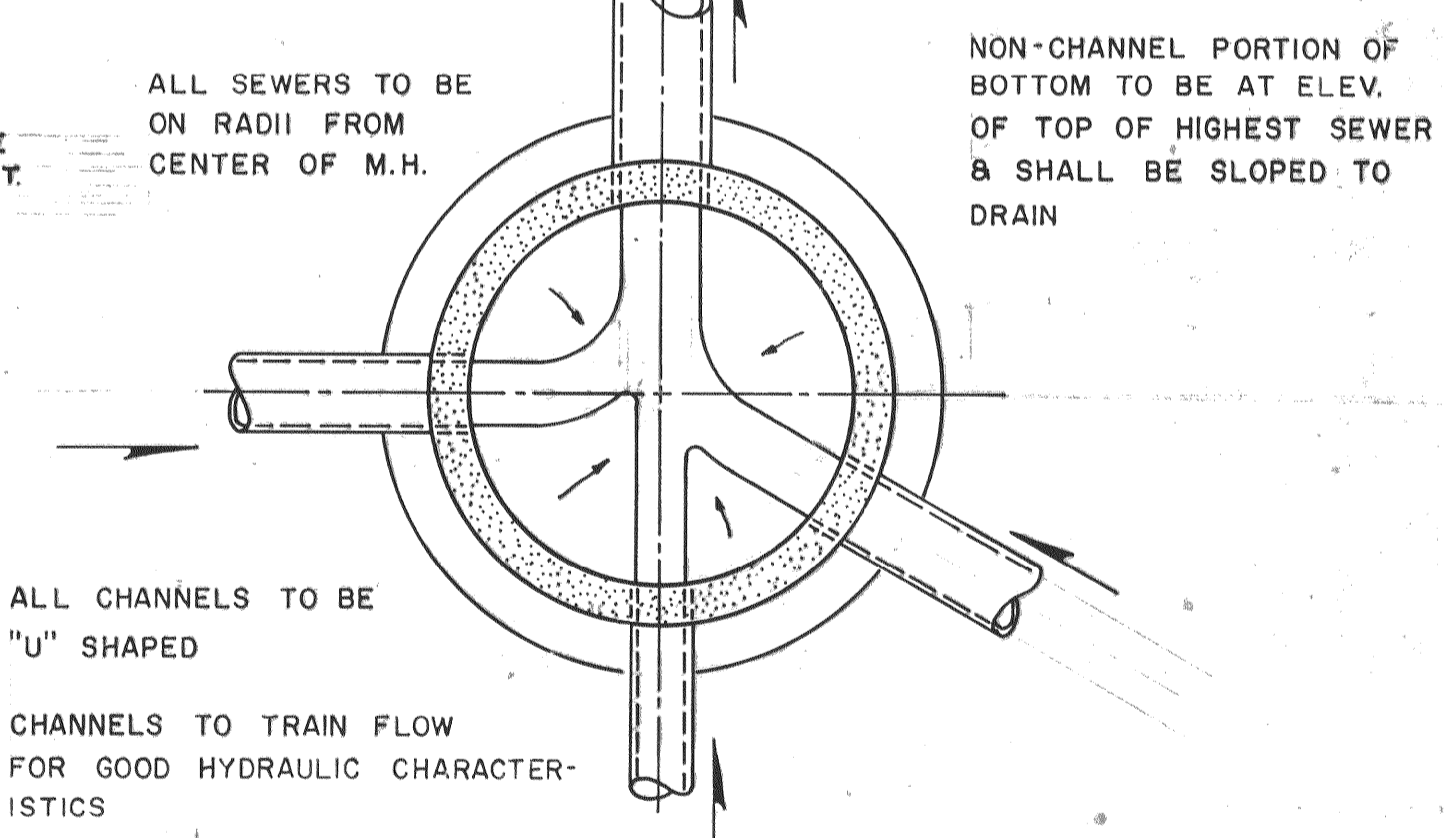
SCALE: 1"=1'-0"



SPECIAL MANHOLE AT STA. 0+00

SCALE: 1/2"=1'-0"

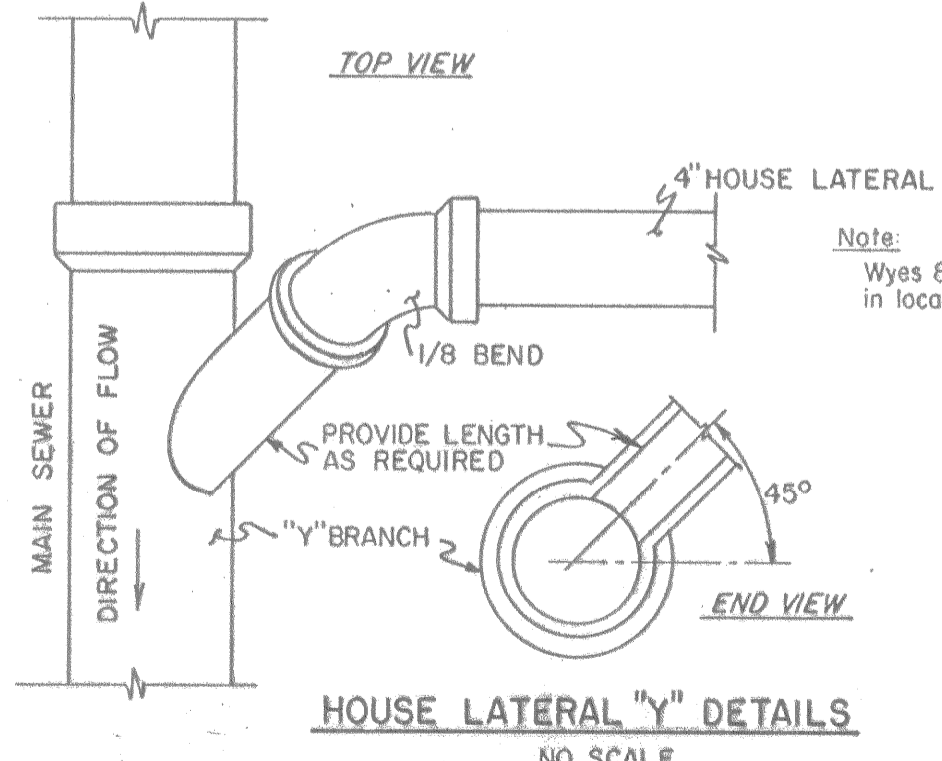
NOTE:  
REMOVABLE FILLET TO BE CONSTRUCTED 2 DAYS AFTER MAIN CHANNEL. A PIECE OF 30 LB. ROOFING FELT, OR EQUIVALENT, IS TO BE USED BETWEEN MAIN CHANNEL AND FILLET SO THAT BOND WILL BE NON-EXISTENT. FILLET TO BE MADE OF 2 SACK CONCRETE MIX.



COMPOSITE M.H. BOTTOM

SCALE: 1/2"=1'-0"

"AS-BUILT"



HOUSE LATERAL "Y" DETAILS

NO SCALE

Note:  
Wyes & service lines to be installed in locations as directed.

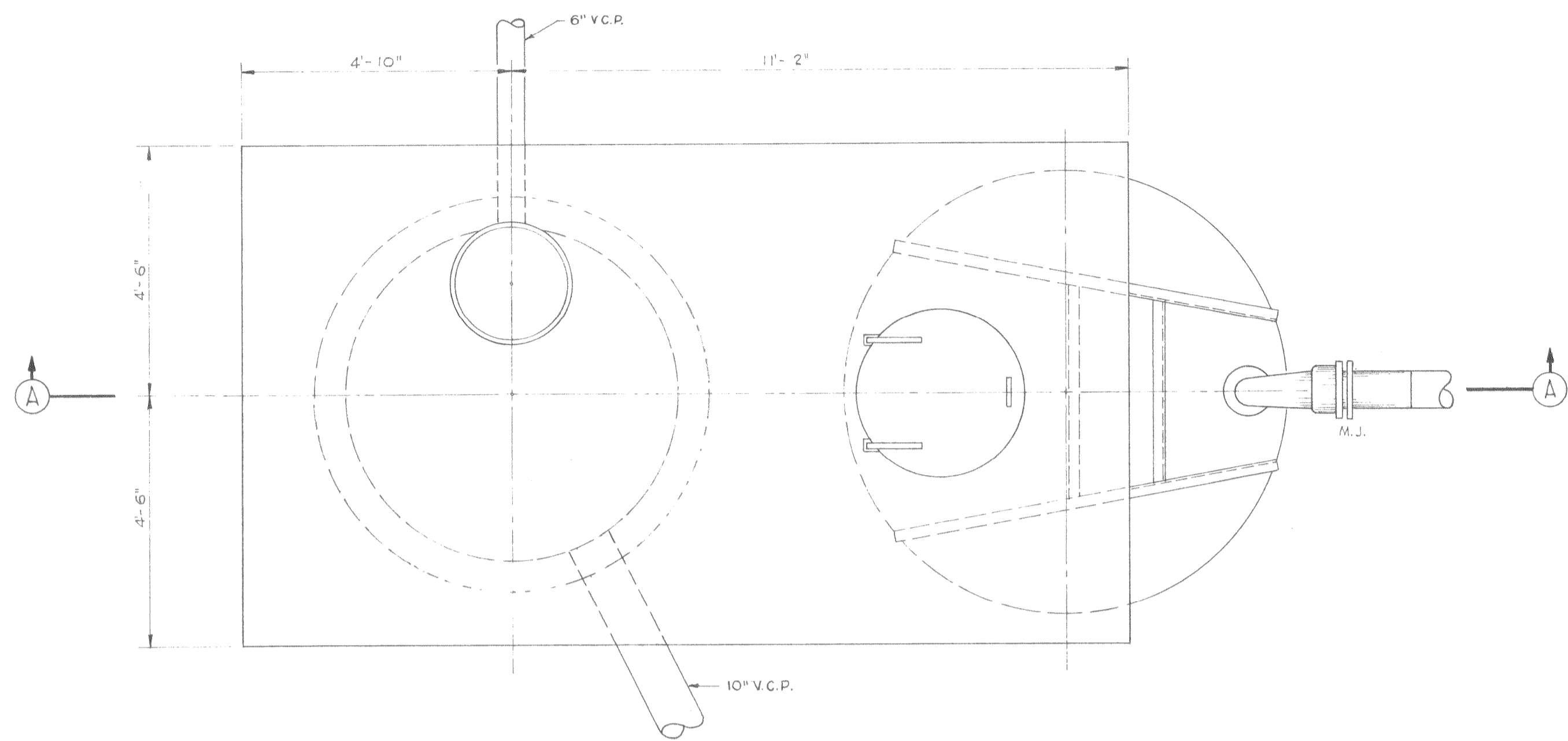
CITY OF OROVILLE  
OROVILLE, CALIFORNIA  
MUNICIPAL SEWER DISTRICT NO. 1  
SANITARY SEWER PROJECT  
MISCELLANEOUS DETAILS

DEWANTE AND STOWELL  
SANITARY AND CIVIL ENGINEERS - SACRAMENTO, CALIFORNIA

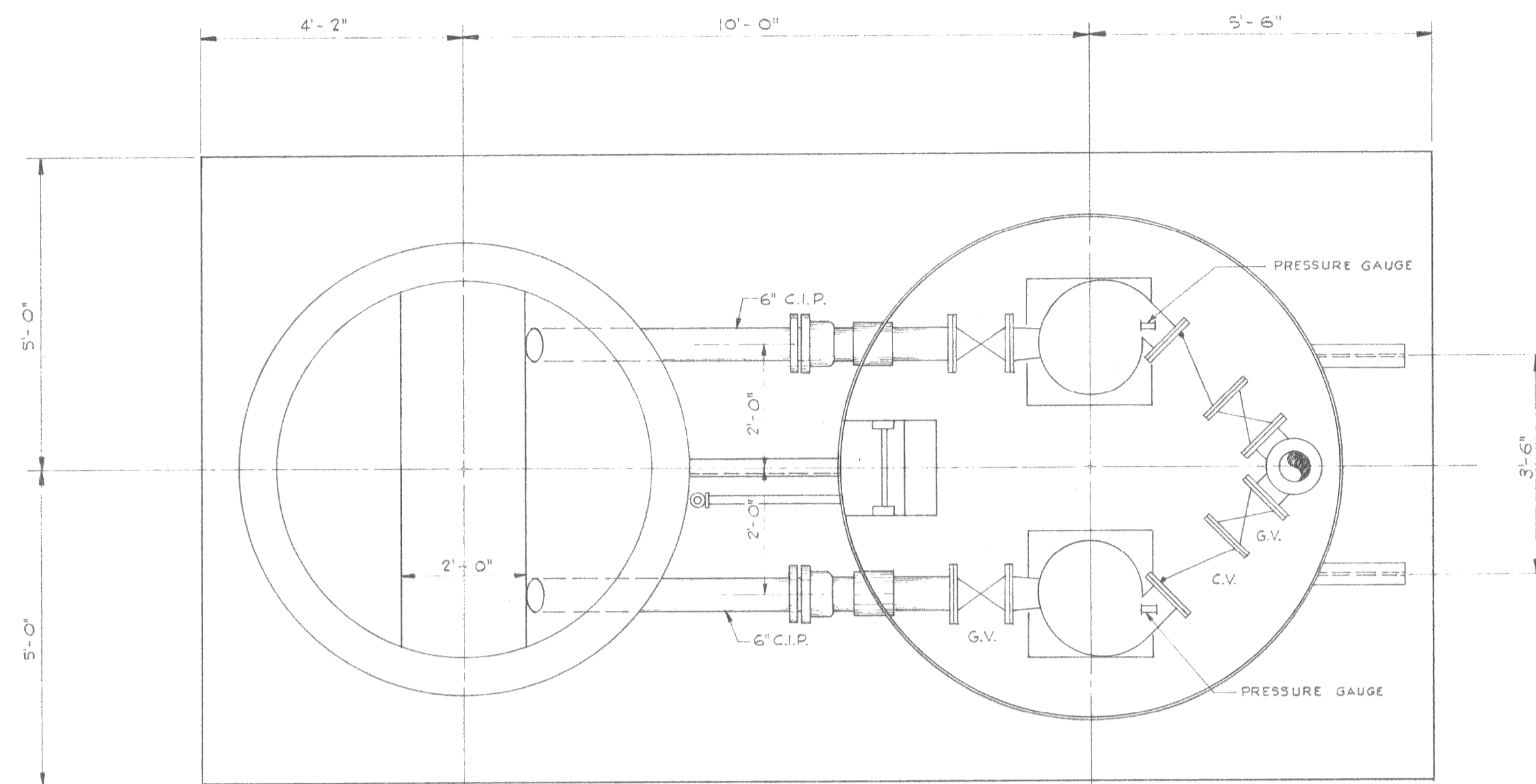
DRAWN: L.R.K. CHECKED: E.R.S. DATE: Mar., 1962

APPROVED: *[Signature]*

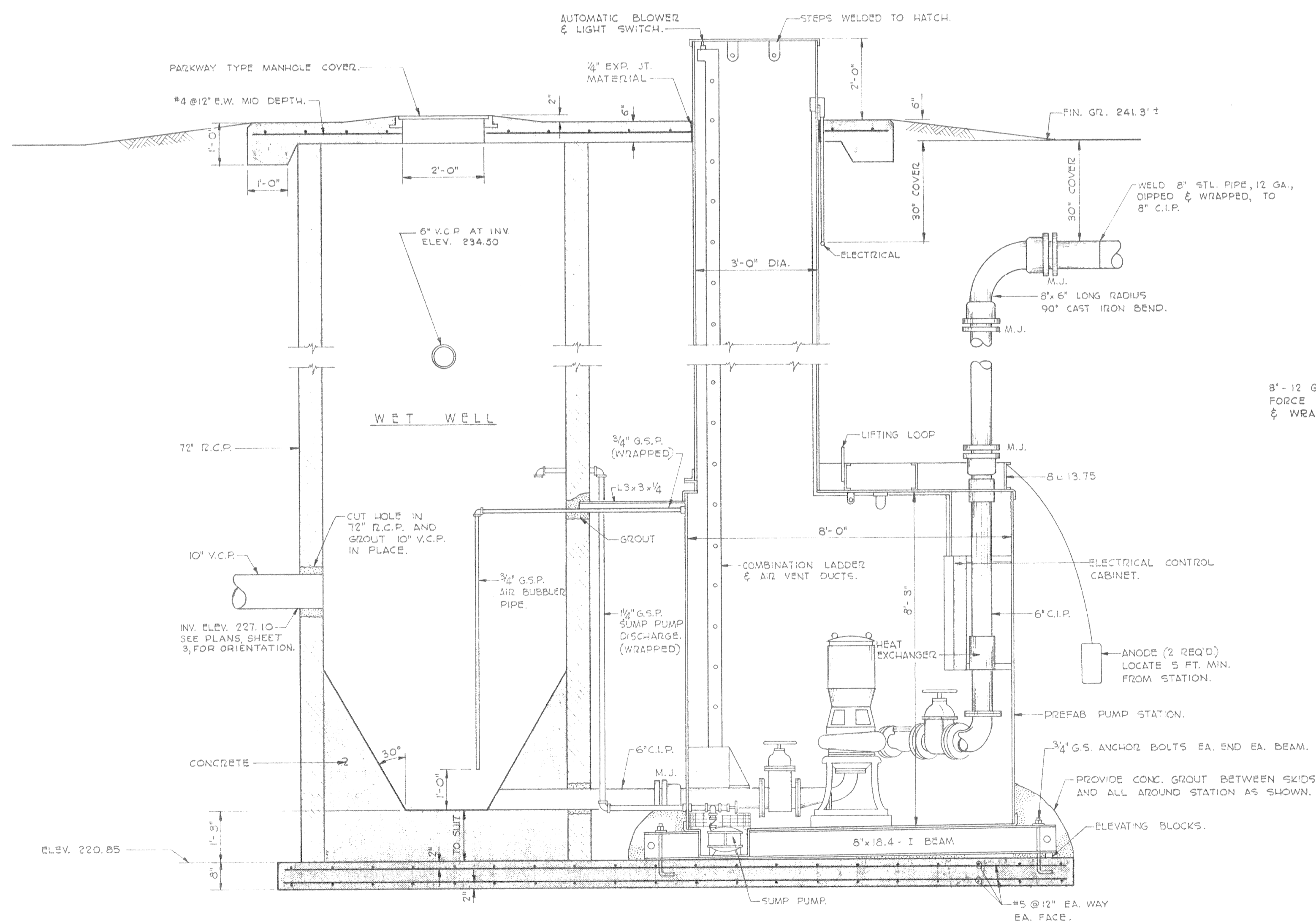
SHEET NO. 24 OF 25



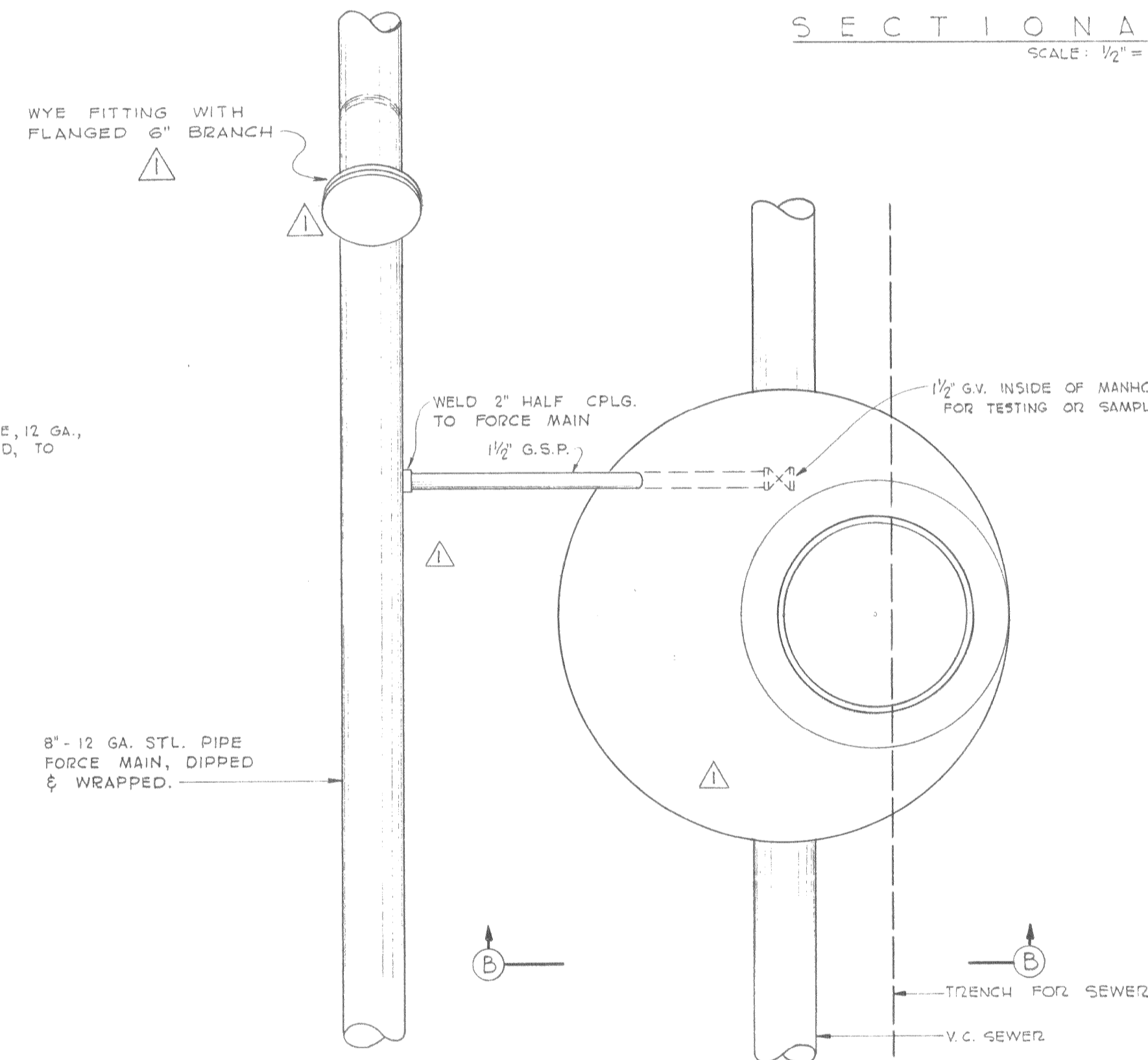
TOP PLAN  
SCALE: 1/2" = 1'-0"



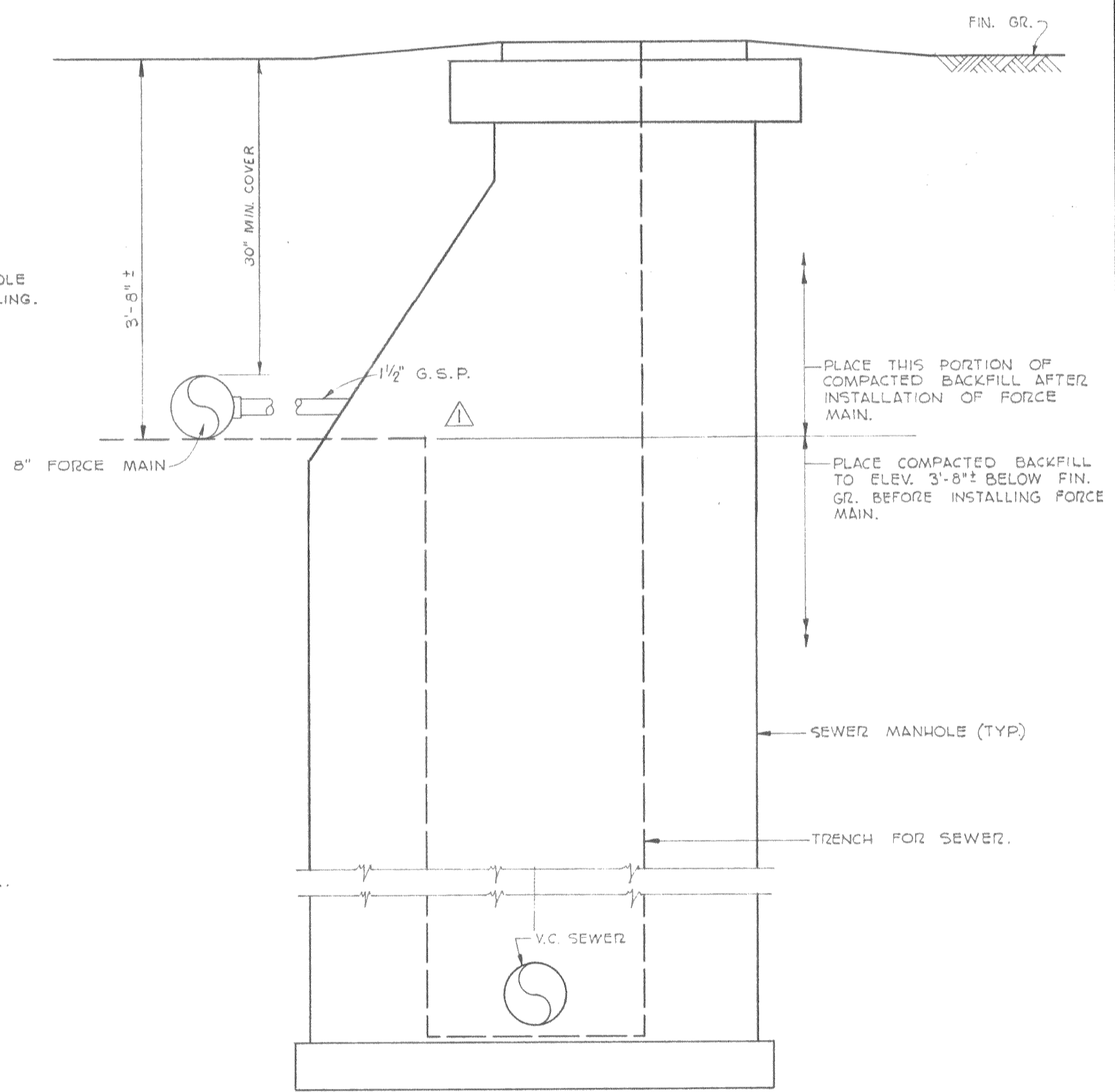
SECTIONAL PLAN  
SCALE: 1/2" = 1'-0"



SECTION A  
SCALE: 1/2" = 1'-0"



PLAN  
FORCE MAIN DETAILS  
SCALE: 3/4" = 1'-0"



SECTION B  
"AS-BUILT"  
SCALE: 3/4" = 1'-0"

REVISION	DATE	DESCRIPTION	BY	APPD.
A. B.	3-26-63	RELOCATED FORCE MAIN OUTSIDE OF MANHOLE.	H.N.H.	

CITY OF OROVILLE  
OROVILLE, CALIFORNIA  
MUNICIPAL SEWER DISTRICT NO. 1  
SANITARY SEWER PROJECT  
SEWAGE PUMPING STATION  
& MISCELLANEOUS DETAILS

DEWANTE AND STOWELL  
SANITARY AND CIVIL ENGINEERS—SACRAMENTO, CALIFORNIA

DRAWN: H. N. H.	SUBMITTED:	SHEET NO.
CHECKED: E. R. S.	APPROVED: <i>Edmund R. Stowell</i>	25
DATE: Mar., 1962	APPROVED: <i>H. M. Compton</i>	OF 25