

NOTES:

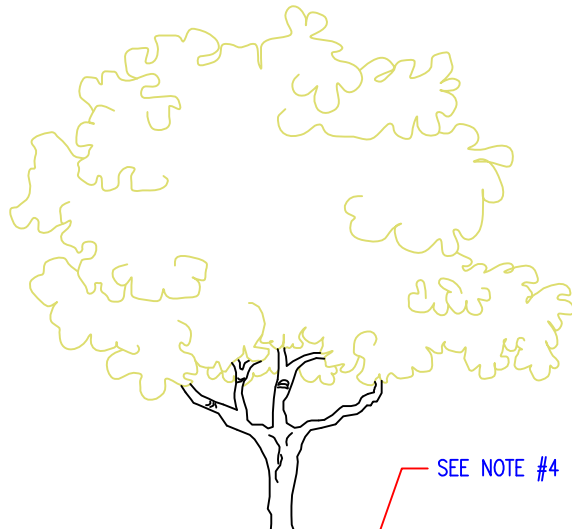
1. WATER IMMEDIATELY AFTER PLANTING, MAINTAIN UNTIL ACCEPTED BY INSPECTOR.
2. MANUALLY SEPARATE ROOTS IN ROOTBALL AND DIRECT THEM OUTWARD AND DOWN TO PREVENT GIRDLING OF ROOTS.
3. BACKFILL WITH NATIVE SOIL, NO AMENDMENTS. NOTIFY CITY IF SOIL IS NOT SUITABLE FOR TREE SURVIVAL.
4. TIE WRAPPED AROUND TREE AND STAKE TO FORM A FIGURE EIGHT TIE. USE GALVANIZED NAIL TO SECURE TIE. ONE GALVANIZED NAIL IS DRIVEN THROUGH TIE TO PREVENT SLIPPAGE.

WOOD CHIPS (4" MIN) SEE SHTS 4 OF 5 AND 5 OF 5.

SEE NOTE #3

SIDEWALK GRADE

ROOT CONTROL BOX



SEE NOTE #4

← PREVAILING WIND

2' 8" LODGE POLE WOODEN STAKE

TREE CROWN 2" LOWER THAN TOP OF SIDEWALK

1/2" - 1" WASHED GRAVEL

LAWN & GROUND COVER WITH 4" MOUND

30" MIN

32"

COMPACTED SOIL TO MINIMIZE SETTING



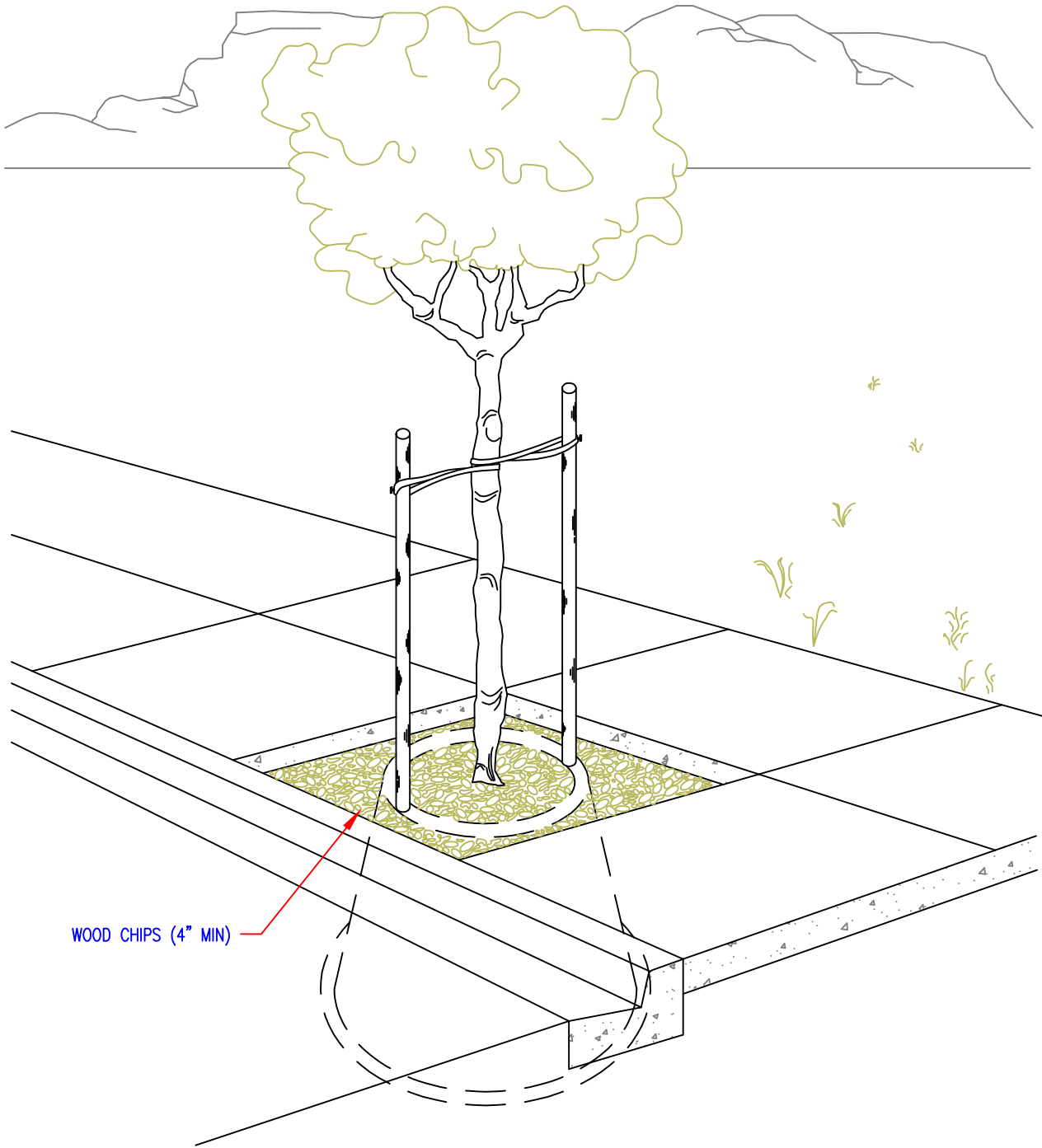
CITY OF OROVILLE
DEPARTMENT OF PUBLIC WORKS

STANDARD FOR
STREET TREES

DRAWN BY.
SG

CHRIS FRIDRICH
DIRECTOR OF PARKS AND TREES

SHEET
1 OF 4
MS 06



WOOD CHIPS (4" MIN)



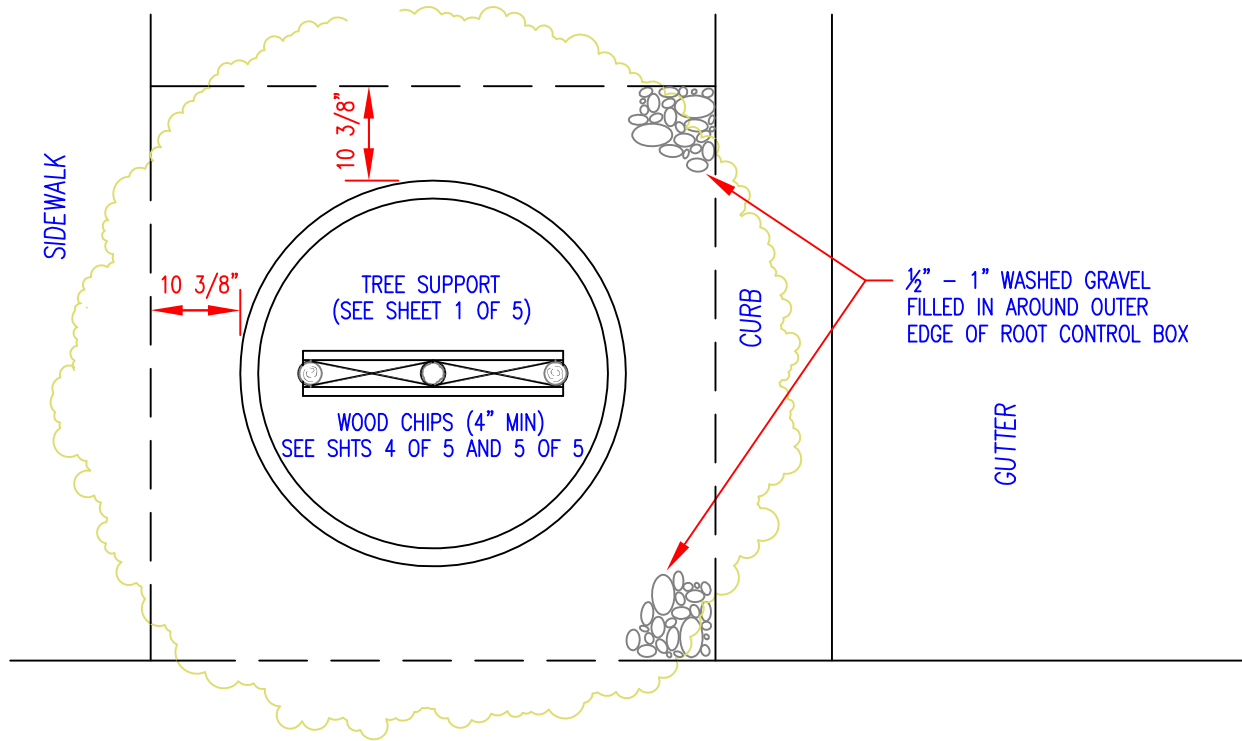
CITY OF OROVILLE
DEPARTMENT OF PUBLIC WORKS

STANDARD FOR
STREET TREES

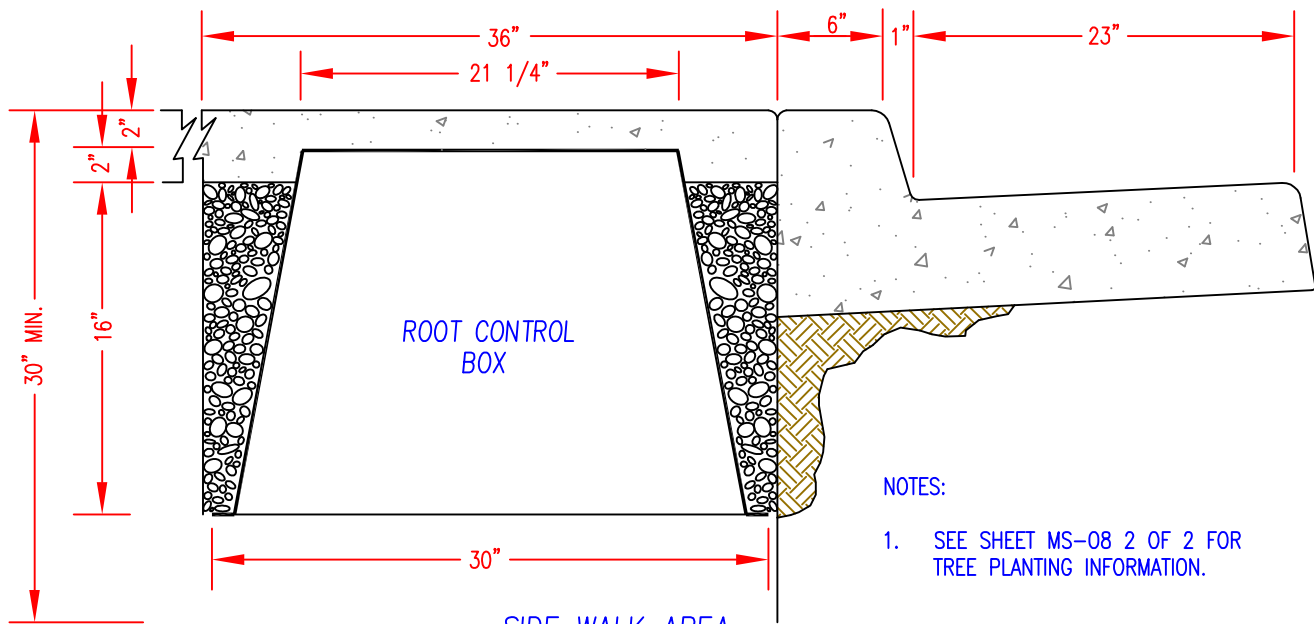
DRAWN BY.
SG

CHRIS FRIDRICH
DIRECTOR OF PARKS AND TREES

SHEET
2 OF 4
MS-06



TOP VIEW



NOTES:

1. SEE SHEET MS-08 2 OF 2 FOR TREE PLANTING INFORMATION.



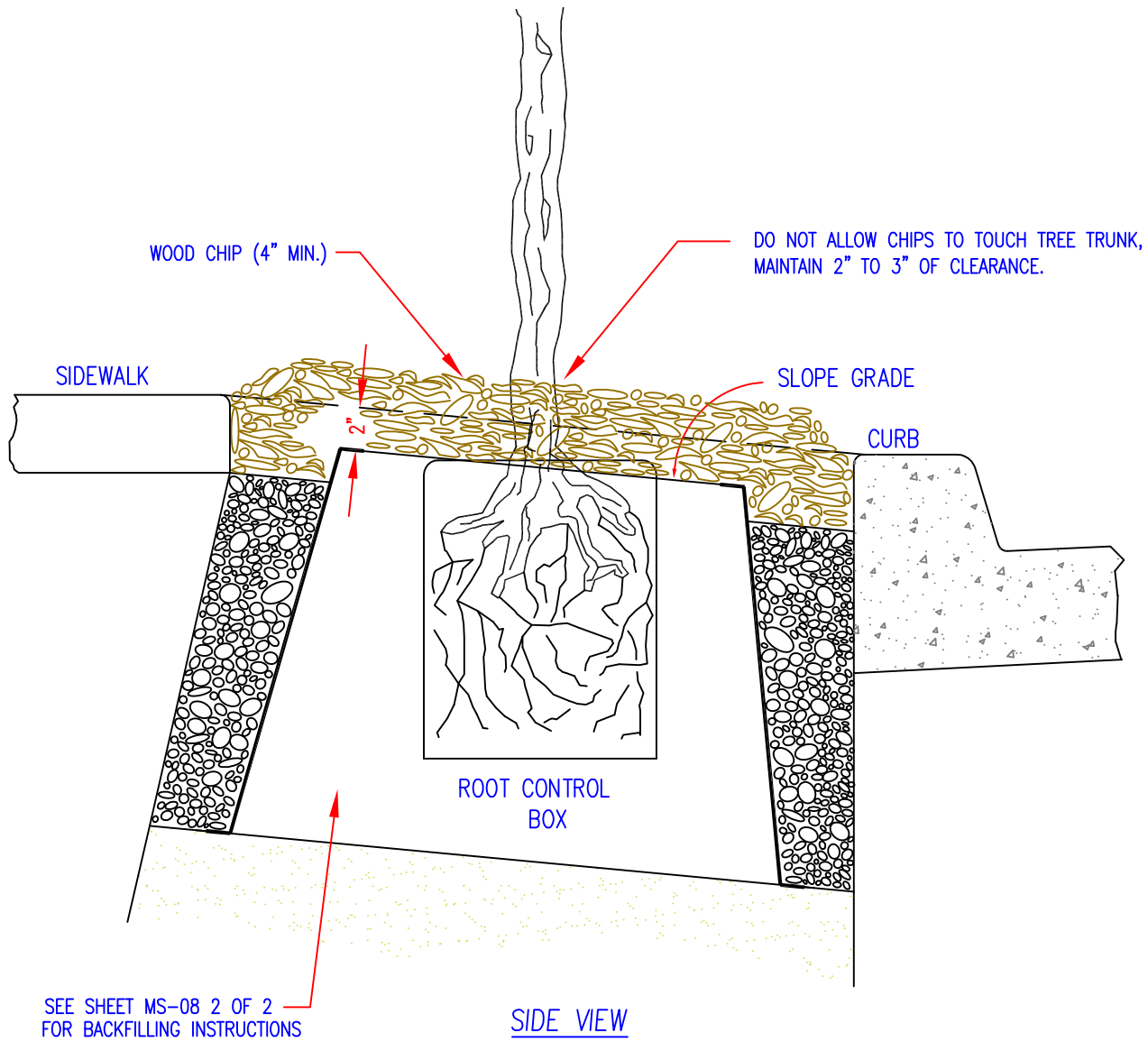
CITY OF OROVILLE
DEPARTMENT OF PUBLIC WORKS

STANDARD FOR
STREET TREES

DRAWN BY.
SG

CHRIS FRIDRICH
DIRECTOR OF PARKS AND TREES

SHEET
3 OF 4
MS-06



CITY OF OROVILLE
DEPARTMENT OF PUBLIC WORKS

STANDARD FOR
STREET TREES

DRAWN BY.
SG

CHRIS FRIDRICH
DIRECTOR OF PARKS AND TREES

SHEET
4 OF 4
MS-06