

STORM DRAIN MARKER PLACEMENT

STORM DRAIN MARKER TYPES

TYPE "A" (SEE SHEET 2 OF 4)

4" DIA. STAINLESS STEEL, PRISMATIC, PAINTED, EMBOSSED  
 STORMDRAIN MARKER ALMETEK INDUSTRIES, INC ITEM #SD-SP  
 (www.drainmakers.com)  
 FOR USE AT ALL LOCATIONS UNLESS OTHERWISE APPROVED OR  
 DIRECTED BY THE DIRECTOR OF ENGINEERING.

TYPE "B" (SEE SHEET 3 OF 4)

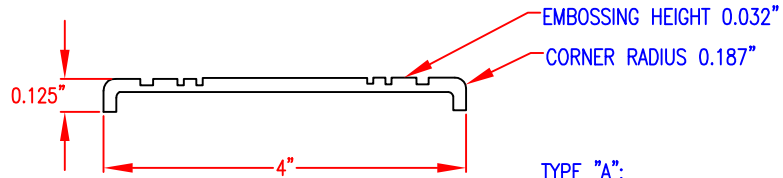
4" DIA. CRYSTAL CAP URETHANE / VINYL DOMED MARKER ACP  
 INTERNATIONAL PART #SD-C-CC (www.acpinternational.com)  
 THE INTENDED USE IS FOR MARKING EXISTING STORM DRAIN INLETS  
 BY COMMUNITY MEMBERS AND VOLUNTEERS.

TYPE "C" (SEE SHEET 4 OF 4)

5" DIA. ALUMINUM CAST STORM DRAIN MARKER w/ MACHINE FINISH  
 BRONZE CRAFT CORP PART #300740 (www.bronzecraft.com)  
 ACCEPTED AS ALTERNATIVE TO TYPE "A"

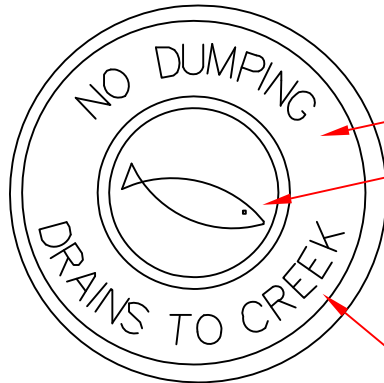


CITY OF OROVILLE DEPARTMENT OF PUBLIC WORKS		
STANDARD FOR STORM DRAIN MARKER		
DRAWN BY. SG	RICK WALLS, P.E. DIRECTOR OF PUBLIC WORKS DEPARTMENT	SHEET 1 OF 4 SD-08



SIDE VIEW

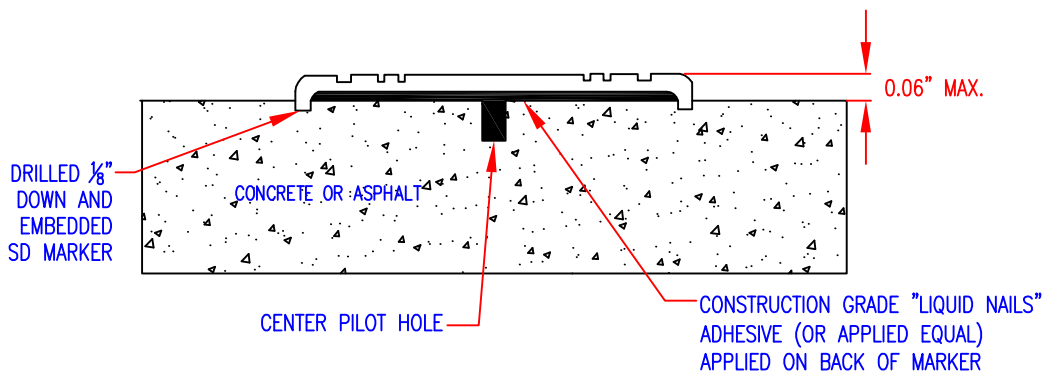
TYPE "A":  
4" DIA. STAINLESS STEEL, PRISMATIC,  
PAINTED, EMBOSSSED STORM DRAIN MARKER  
ALMETEK INDUSTRIES ITEM #SD-SP OR  
EQUAL APPROVED BY CITY ENG.  
(www.drainmarkers.com)



TOP VIEW

BAKED UV ENAMEL PAINT  
APWA BLUE  
PRISMATIC SPIN FINISH

EMBOSSSED LETTERING



SUB-SURFACE INSTALLATION WITH ADHESIVE

1. DRILL CONCRETE OR ASPHALT WITH 4" DIA KEYHOLE DRILL BIT, ANCHOR AND PILOT APPROX. 1/8" DEEP.
2. APPLY ADHESIVE ON BACK OF MARKER AND EMBED DOWN INTO 1/8" DRILLED GROOVE. APPLY PRESSURE BY STEPPING ON MARKER.



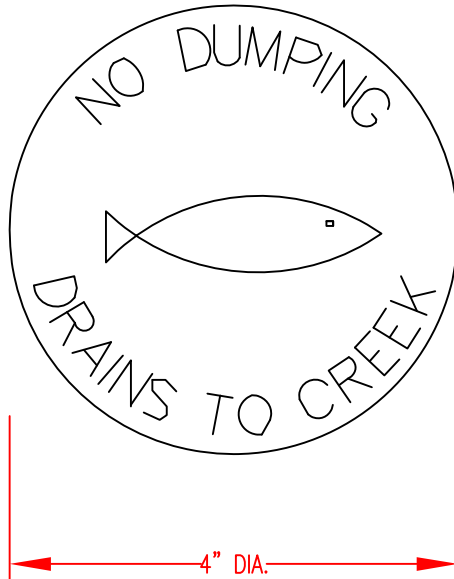
CITY OF OROVILLE  
DEPARTMENT OF PUBLIC WORKS

STANDARD FOR  
STORM DRAIN MARKER

DRAWN BY.  
SG

RICK WALLS, P.E.  
DIRECTOR OF PUBLIC WORKS DEPARTMENT

SHEET  
2 OF 4  
SD-08



TYPE "B"

4" DIA. CRYSTAL CAP URETHANE DOMED MARKER  
 ACP INTERNATIONAL PART #SD-C-CC  
 OR APPROVED EQUAL  
 (www.acpinternational.com)

INTENDED USE: MARKING EXISTING STORM DRAIN  
 DROP INLETS BY COMMUNITY MEMBERS.

NOTES:

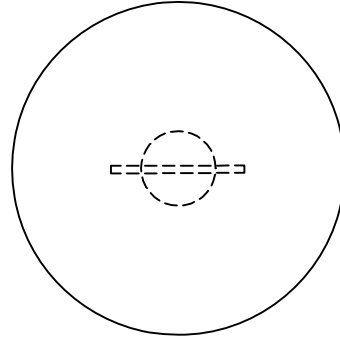
1. VINYL STORM DRAIN MARKERS TO BE PROVIDED BY CITY OF OROVILLE.
2. VINYL STORM DRAIN MARKERS TO BE ATTACHED TO STORM DRAIN INLET WHERE SHOWN USING HEAVY-DUTY CONSTRUCTION GRADE "LIQUID NAILS" ADHESIVE OR APPROVED EQUAL.
3. FOR USE AT LOCATIONS APPROVED BY DIRECTOR OF ENGINEERING.



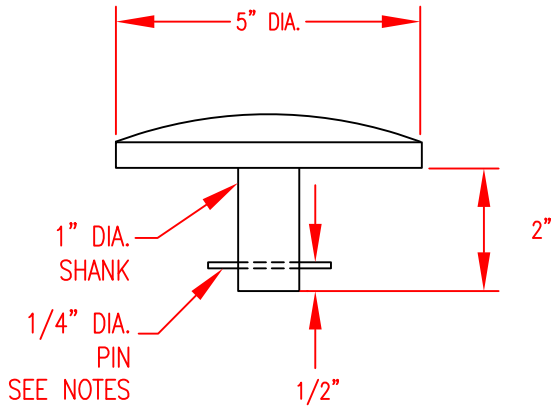
CITY OF OROVILLE DEPARTMENT OF PUBLIC WORKS		
STANDARD FOR STORM DRAIN MARKER		
DRAWN BY. SG	<u>RICK WALLS, P.E.</u> <small>DIRECTOR OF PUBLIC WORKS DEPARTMENT</small>	SHEET 3 OF 4 SD-08



TOP VIEW



BOTTOM VIEW



SIDE VIEW

TYPE "C"

5" DIA. ALUMINUM CAST STORM DRAIN MARKER w/  
MACHINE FINISH.

BRONZE CRAFT CORP PART #300740 OR EQUAL

([www.bronzecraft.com](http://www.bronzecraft.com))

ACCEPTABLE ALTERNATIVE TO TYPE "A"

NOTES

1. IF DROP INLET IS PRE-CAST, THE DROP INLET IS TO BE DRILLED AND THE STORM DRAIN MARKER IS TO BE EPOXIED INTO PLACE. PIN IS NOT NEEDED.
2. IF DROP INLET IS TO BE CAST IN PLACE, STORM DRAIN MARKER WITH PIN SHALL BE IN PLACE AT TIME OF POUR.



CITY OF OROVILLE  
DEPARTMENT OF PUBLIC WORKS

STANDARD FOR  
STORM DRAIN MARKER

DRAWN BY.  
SG

RICK WALLS, P.E.  
DIRECTOR OF PUBLIC WORKS DEPARTMENT

SHEET  
4 OF 4  
SD-08