

TYPICAL MONUMENT LOCATIONS

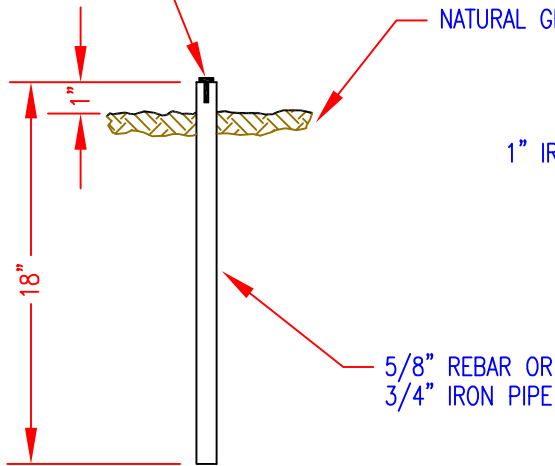
LEGEND AND NOTES:

- PROPERTY CORNER – SET AT ALL LOT CORNERS INCLUDING ANGLE POINTS INTERIOR LOT LINES. SEE SHEET 2 FOR DETAILS.
- SUBDIVISION CORNER – SET AT ANGLE POINTS IN SUBDIVISION BOUNDARY AS DIRECTED BY THE ENGINEER. SEE SHEET 2 FOR DETAILS.
- △ CENTERLINE MONUMENT – SET ON CENTERLINE OF RIGHT-OF-WAY AT CENTERS OF (MONUMNET WELLS) CUL-DE-SACS, AT INTERSECTIONS, AT CHANGES IN CURVATURE OR ALIGNMENT AS DIRECTED BY THE ENGINEER AND AT INTERVALS NOT EXCEEDING 1000'. SET POINTS SHALL BE INTERVISIBLE. SEE SHEETS 3 & 4 FOR DETAILS. MONUMENT WELLS FOR SOME OR ALL "MINOR CURVES" MAY NOT BE NECESSARY AS APPROVED BY THE PUBLIC WORKS DIRECTOR.



CITY OF OROVILLE DEPARTMENT OF PUBLIC WORKS		
STANDARD FOR SURVEY MONUMENTS		
DRAWN BY. SG	RICK WALLS, P.E. DIRECTOR OF PARKS AND TREES	SHEET 1 OF 4 ST-32

COPPER OR BRASS TAG AND TACK, OR PLASTIC PLUG OR CAP, WITH IDENTIFYING NUMBER



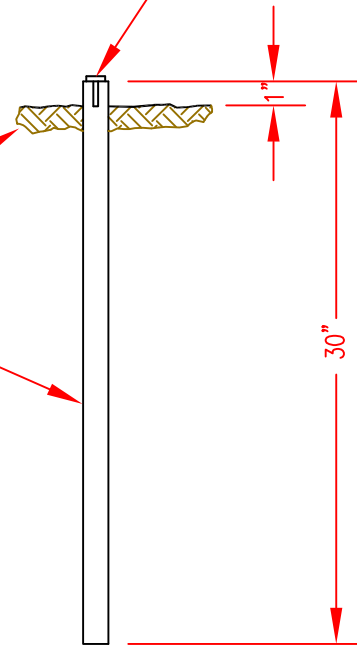
PROPERTY CORNER

COPPER OR BRASS TAG AND TACK WITH IDENTIFYING NUMBER

NATURAL GROUND

1" IRON PIPE

5/8" REBAR OR 3/4" IRON PIPE



SUBDIVISION CORNER

NOTE:

USE 1/4" X 30" I.P. WITH TAG AND TACK APPROVED EQUAL.



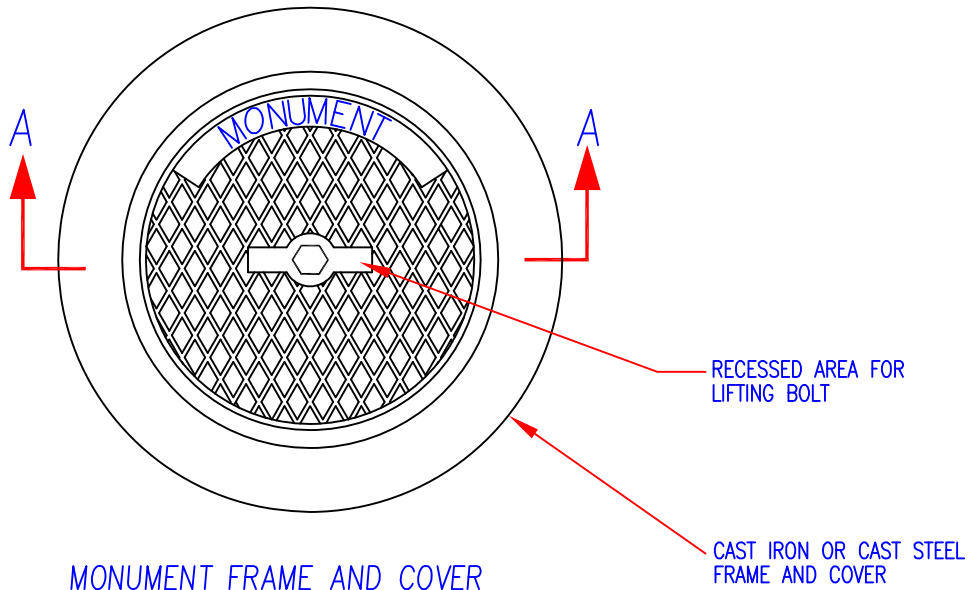
CITY OF OROVILLE
DEPARTMENT OF PUBLIC WORKS

STANDARD FOR
SURVEY MONUMENTS

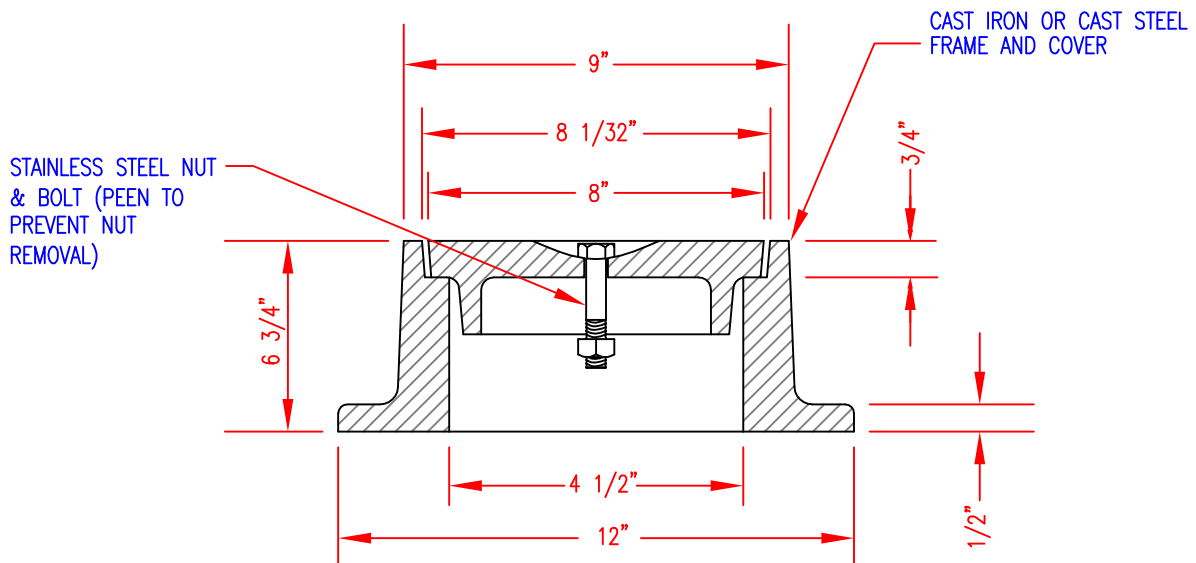
DRAWN BY.
SG

RICK WALLS, P.E.
DIRECTOR OF PUBLIC WORKS DEPARTMENT

SHEET
2 OF 4
ST-32



MONUMENT FRAME AND COVER



MONUMENT FRAME AND COVER
SECTION A-A



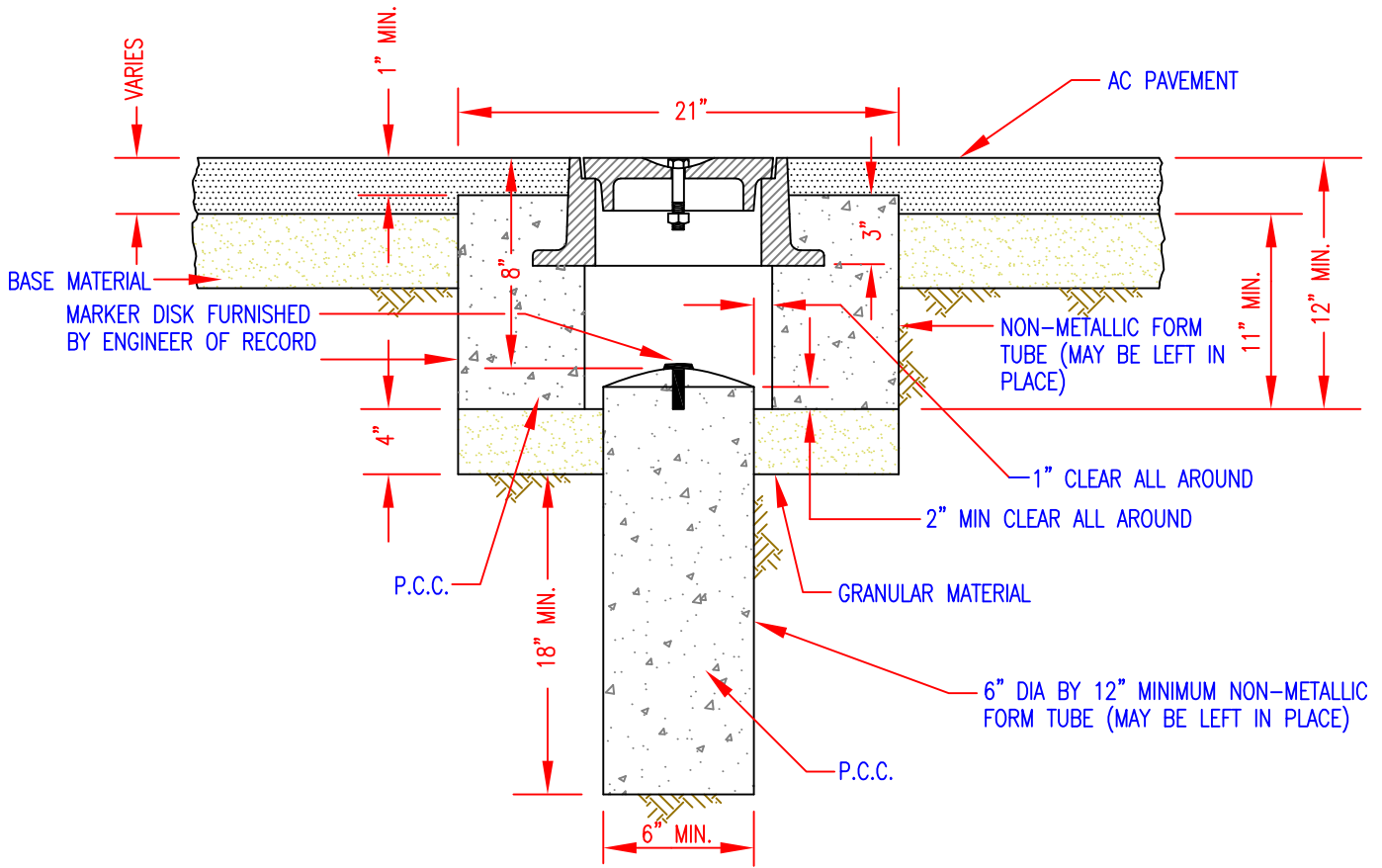
CITY OF OROVILLE
DEPARTMENT OF PUBLIC WORKS

STANDARD FOR
SURVEY MONUMENTS

DRAWN BY.
SG

RICK WALLS, P.E.
DIRECTOR OF PUBLIC WORKS DEPARTMENT

SHEET
3 OF 4
ST-32



MONUMENT WELL DETAIL
TYPICAL SECTION

NOTES:

1. ALL PORTLAND CEMENT CONCRETE SHALL BE CLASS B OR MINOR CONCRETE WITH 1" MAXIMUM AGGREGATE.
2. MONUMENT BOX AND COVER TO BE SBF 1201 AS SUPPLIED BY SOUTH BAY FOUNDRY OR EQUAL.
3. MONUMENT HOLE SHALL BE CORE DRILLED TO ACHIEVE A SMOOTH CUT.



CITY OF OROVILLE
DEPARTMENT OF PUBLIC WORKS

STANDARD FOR
SURVEY MONUMENTS

DRAWN BY.
SG

RICK WALLS, P.E.
DIRECTOR OF PUBLIC WORKS DEPARTMENT

SHEET
4 OF 4
ST-32