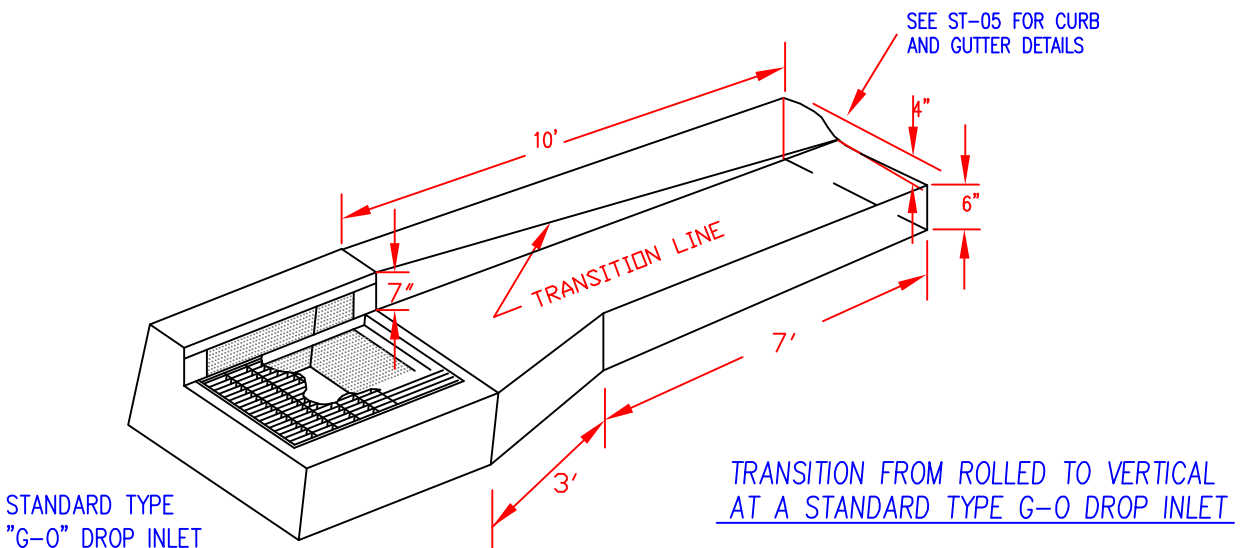


TRANSITION FROM ROLLED TO VERTICAL AT CURB RETURN



NOTES:

1. SUBGRADE AND SAND CUSHION (AGGREGATE BASE) OF CURB, GUTTER, AND SIDEWALK TO BE COMPACTED TO 95% RELATIVE COMPACTION.
2. 1/2" EXPANSION JOINTS AT CURB RETURNS AND 60'-0" ON CENTER.
3. VERTICAL CURB AND GUTTER TO BE USED AT CURB RETURNS, TRANSITIONED AS SHOWN.
4. TRANSITIONING TO MAINTAIN UNIFORM FLOW LINE AND TOE BOARD SLOPE.
5. CURB AND GUTTER SHALL HAVE LIGHT BROOM FINISH.
6. MINIMUM COMPRESSIVE STRENGTH OF CONCRETE AT 28 DAYS (f'c) SHALL BE 3,000 PSI.



CITY OF OROVILLE
DEPARTMENT OF PUBLIC WORKS

STANDARD FOR
CURB and GUTTER-ROLLED TO VERTICAL

DRAWN BY.
SG

RICK WALLS, P.E.
DIRECTOR OF PUBLIC WORKS DEPARTMENT

SHEET
1 OF 1
ST-08