
SURVEY DETAIL SHEETS

NOTE: % OF FLOW USED AS
ROUGH SCALE RATHER
THAN, SAY 1 TO 10

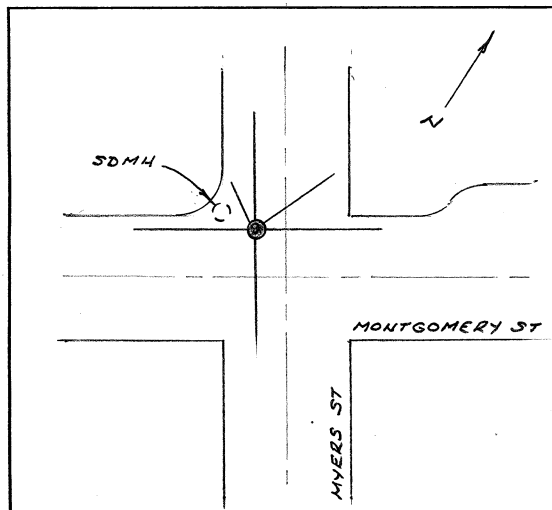
SURVEY INFORMATION DATA SHEET

SANITARY SEWER MASTER PLAN

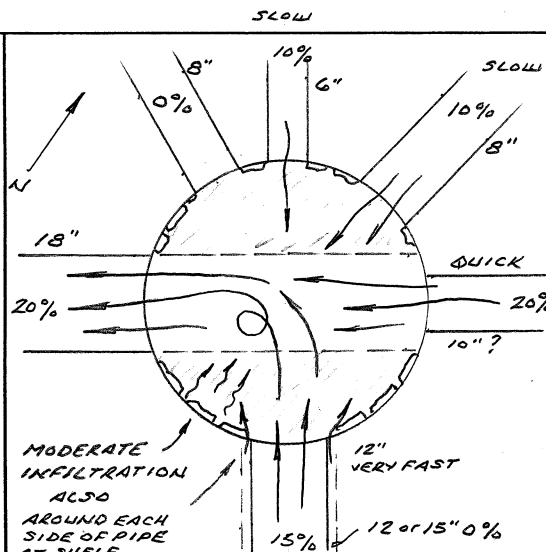
CITY OF OROVILLE

Date: 6-22-7 8:30 AM

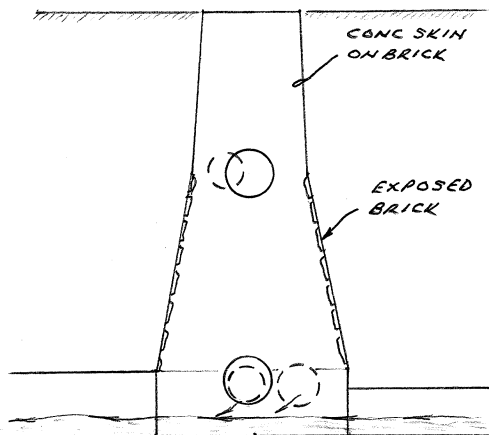
Initials RG JB



Site Map (Intersection & Indicate Other Manholes)



Manhole Plan w/ Flow Arrows



Cross-Section (indicate drops)

Other Site Information

Town	Orville			
Manhole Number	37	RAR 395		
Intersection	MYERS & MONTGOMERY STREETS			
Weather	CLEAR, WARM			
Surface Conditions	DRY			
Paved/Unpaved	PAVED			
Features	WEST QUADRANT OF INTERSECTION			
Flow Conditions	MEDIUM - QUICK			
Surcharge	Yes <input checked="" type="checkbox"/> No <input type="checkbox"/>			
Traffic Conditions	Heavy / Medium <input checked="" type="checkbox"/> Light <input type="checkbox"/> / No Traffic			
Manhole Conditions	CUSTOM MADE BRICK			
Diameters (inches)	± 48" AT BASE - CUSTOM MADE			
Condition	New / Good / OK / Bad <input checked="" type="checkbox"/> (Deteriorating)			
Depth (in feet)	± 11.59			
Infiltration	<input checked="" type="checkbox"/> Yes <input type="checkbox"/> No			
Invert Elevation	NA			
Rim Elevation	164.50			
INVERT ELEVATIONS				
DIREC-TION	INVERT ELEV.	ENTERING/ LEAVING	MATERIAL	SIZE OF PIPE (in)
N	153.32	IN	CLAY	± 8"
NE	153.08	IN	-	± 10"
SE	158.33 ±	∅	PVC	12 or 15"
SE	153.61	IN	CLAY or ABS	± 12"
SW	152.61	OUT	CLAY or ABS	± 18"
NW	159.03 ±	∅	CLAY	8"
NW	153.57	IN	PVC	6"

Other Remarks: _____

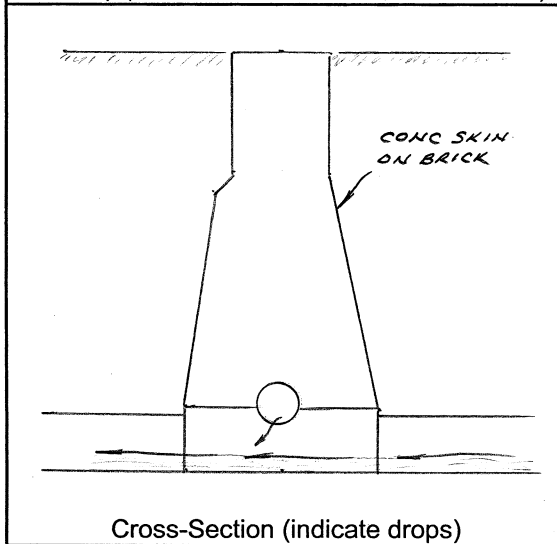
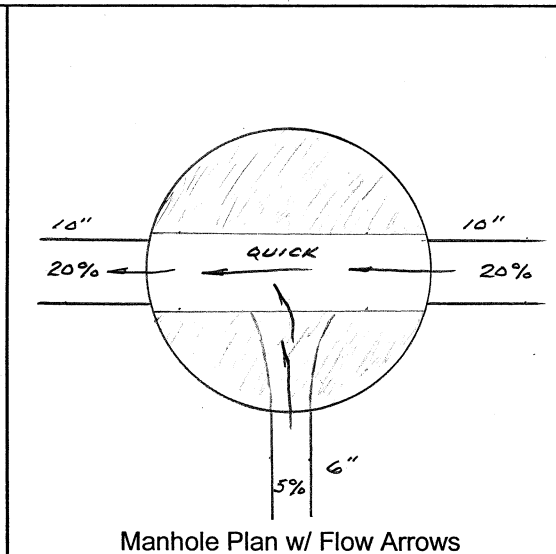
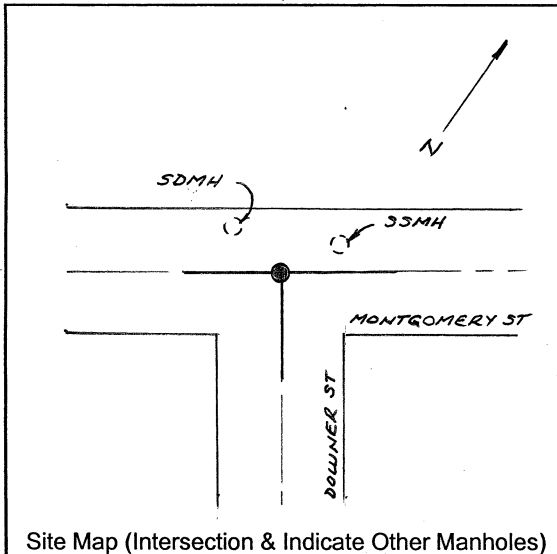
SURVEY INFORMATION DATA SHEET

SANITARY SEWER MASTER PLAN

CITY OF OROVILLE

Date: 6-22-7 9:30 AM

Initials RG JB



Other Site Information

Town	Oroville			
Manhole Number	SS	RAR 303		
Intersection	DOWNER & MONTGOMERY STREETS			
Weather	CLEAR, WARM			
Surface Conditions	DRY			
Paved/Unpaved	PAVED			
Features	E/E INTERSECTION			
Flow Conditions	MEDIUM - QUICK			
Surcharge	Yes <input checked="" type="checkbox"/> No			
Traffic Conditions	Heavy <input checked="" type="checkbox"/> Medium / Light / No Traffic			
Manhole Conditions	CUSTOM MADE BRICK			
Diameters (inches)	± 48" BASE - CUSTOM MADE			
Condition	New / Good <input checked="" type="checkbox"/> Bad / Deteriorating			
Depth (in feet)	± 9.81'			
Infiltration	Yes <input checked="" type="checkbox"/> No			
Invert Elevation				
Rim Elevation	164.24			
INVERT ELEVATIONS				
DIREC-TION	INVERT ELEV.	ENTERING/ LEAVING	MATERIAL	SIZE OF PIPE (in)
NE	154.42	IN	?	10"?
SE	155.02	IN	PVC	6"
SW	154.42	OUT	CLAY	± 10"

Other Remarks: _____

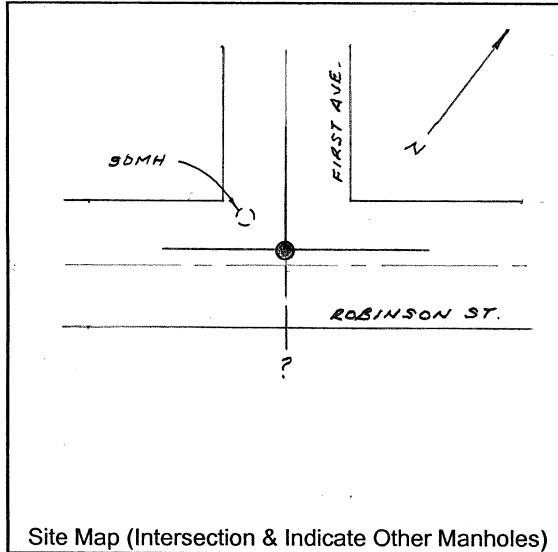
SURVEY INFORMATION DATA SHEET

SANITARY SEWER MASTER PLAN

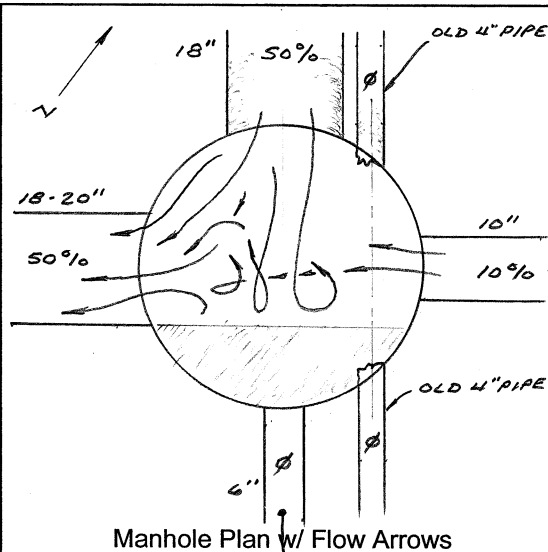
CITY OF OROVILLE

Date: 6-22-7 10:00 AM

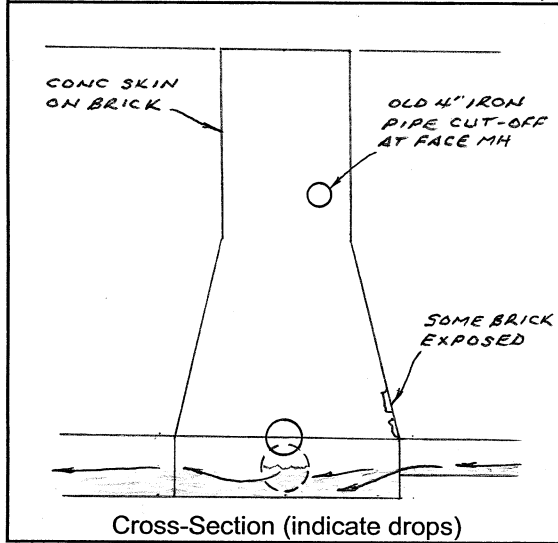
Initials RG JB



Site Map (Intersection & Indicate Other Manholes)



Manhole Plan w/ Flow Arrows



Cross-Section (indicate drops)

IT'S HARD TO SEE, BUT THERE APPEARS TO BE A ± 6" INV. HERE.

Other Site Information

Town	Oroville			
Manhole Number	28	RAR 468		
Intersection	FIRST AVE. & ROBINSON ST.			
Weather	CLEAR, WARM			
Surface Conditions	DRY, NORMAL			
Paved/Unpaved	PAVED			
Features	NEAR E/R INTERSECTION			
Flow Conditions	MODERATE, STEADY			
Surcharge	Yes / <input checked="" type="checkbox"/> No			
Traffic Conditions	Heavy / Medium / <input checked="" type="checkbox"/> Light / No Traffic			
Manhole Conditions	CUSTOM MADE BRICK			
Diameters (inches)	± 48" AT BASE - CUSTOM MADE			
Condition	New / Good / <input checked="" type="checkbox"/> OK / Bad / Deteriorating			
Depth (in feet)	± 14.9'			
Infiltration	Yes / <input checked="" type="checkbox"/> No			
Invert Elevation				
Rim Elevation	163.91			
INVERT ELEVATIONS				
DIREC-TION	INVERT ELEV.	ENTERING/ LEAVING	MATERIAL	SIZE OF PIPE (in)
NE	149.53	IN	CLAY	10"
SE	149.78	∅	?	± 6"
SE	158.84 ±	∅	IRON	4"
SW	148.93	OUT	CLAY	20"
NW	148.96	IN	CLAY	18"
NW	158.65 ±	∅	IRON	4"

Other Remarks: _____

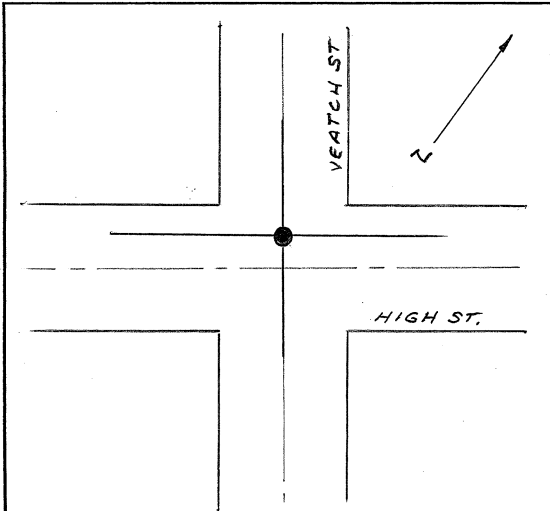
SURVEY INFORMATION DATA SHEET

SANITARY SEWER MASTER PLAN

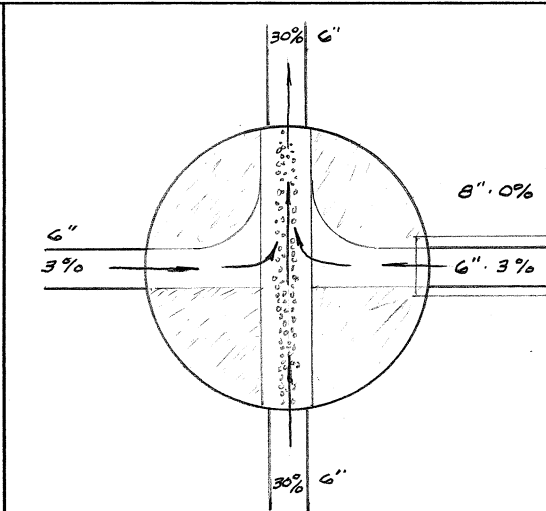
CITY OF OROVILLE

Date: 6-22-7 10:40 AM

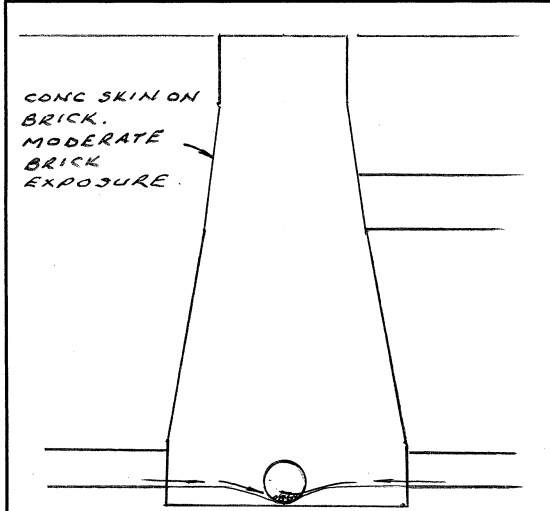
Initials RG JB



Site Map (Intersection & Indicate Other Manholes)



Manhole Plan w/ Flow Arrows



Cross-Section (indicate drops)

Other Site Information

Town	Oroville
Manhole Number	J2 RAR 679
Intersection	VEATCH ST & HIGH ST
Weather	CLEAR, WARM
Surface Conditions	DRY, NORMAL
Paved/Unpaved	PAVED
Features	N. & / E INTERSECTION
Flow Conditions	MEDIUM - STEADY
Surcharge	Yes <input checked="" type="checkbox"/> No
Traffic Conditions	Heavy / Medium <input checked="" type="checkbox"/> Light / No Traffic
Manhole Conditions	CUSTOM MADE BRICK
Diameters (inches)	± 48" AT BASE - CUSTOM MADE
Condition	New / Good <input checked="" type="checkbox"/> / Bad / Deteriorating
Depth (in feet)	± 12.25'
Infiltration	Yes <input checked="" type="checkbox"/> No
Invert Elevation	
Rim Elevation	165.04

INVERT ELEVATIONS

DIREC-TION	INVERT ELEV.	ENTERING/ LEAVING	MATERIAL	SIZE OF PIPE (in)
NE	153.15	IN	CLAY	6"
NE	157.59±	Ø	CLAY	8"
SE	152.79	IN	CLAY	6"
SW	153.19	IN	CLAY	6"
NW	152.79	OUT	CLAY	6"

Other Remarks: ± 1" SMALL GRAVEL IN BASE MAIN TROUGH

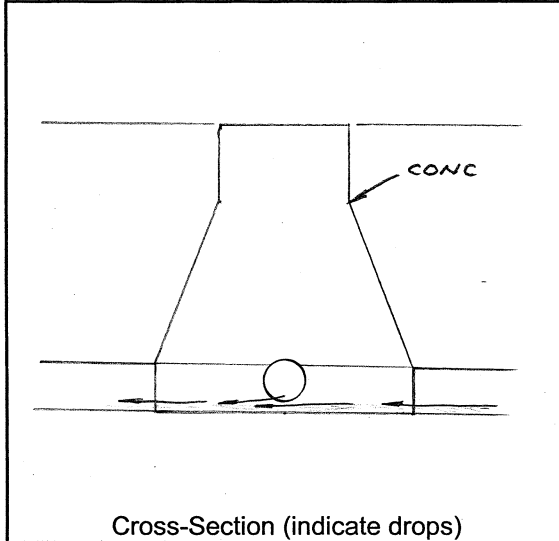
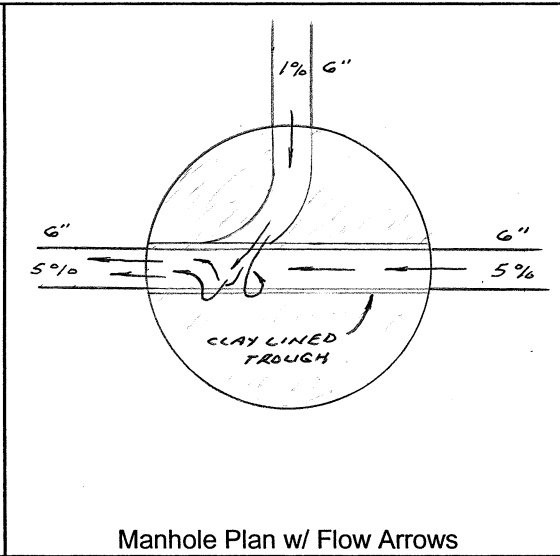
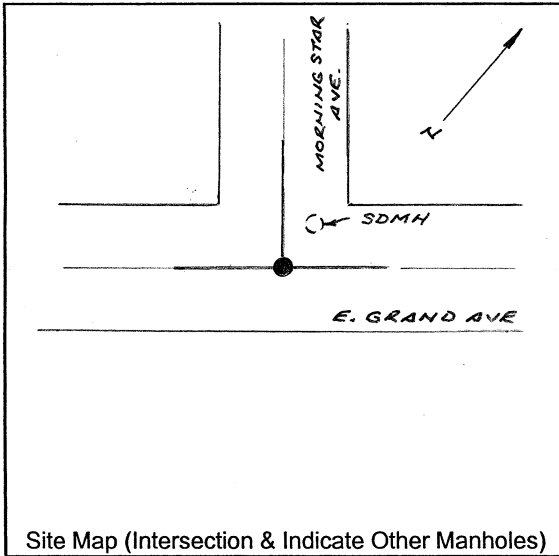
SURVEY INFORMATION DATA SHEET

SANITARY SEWER MASTER PLAN

CITY OF OROVILLE

Date: 6-22-7 11:30 AM

Initials RG JB



Other Site Information

Town	Orville			
Manhole Number	RR 1	RAR 91		
Intersection	MORNINGSTAR AVE & E. GRAND AVE			
Weather	CLEAR, WARM			
Surface Conditions	DRY, NORMAL			
Paved/Unpaved	PAVED			
Features	& INTERSECTION			
Flow Conditions	LIGHT - QUICK			
Surcharge	Yes <input checked="" type="checkbox"/> No			
Traffic Conditions	Heavy / Medium <input checked="" type="checkbox"/> Light / No Traffic			
Manhole Conditions	MANUFACTURED CONC			
Diameters (inches)	48" BASE - MANUFACTURED			
Condition	<input checked="" type="checkbox"/> New / Good / OK / Bad / Deteriorating			
Depth (in feet)	≈ 4.84'			
Infiltration	Yes <input checked="" type="checkbox"/> No			
Invert Elevation				
Rim Elevation	277.44			
INVERT ELEVATIONS				
DIREC-TION	INVERT ELEV.	ENTERING/ LEAVING	MATERIAL	SIZE OF PIPE (in)
NE	272.60	IN	CLAY	6"
SW	272.60	OUT	CLAY	6"
NW	272.72	IN	BLACK PLAS.	6"

Other Remarks: _____

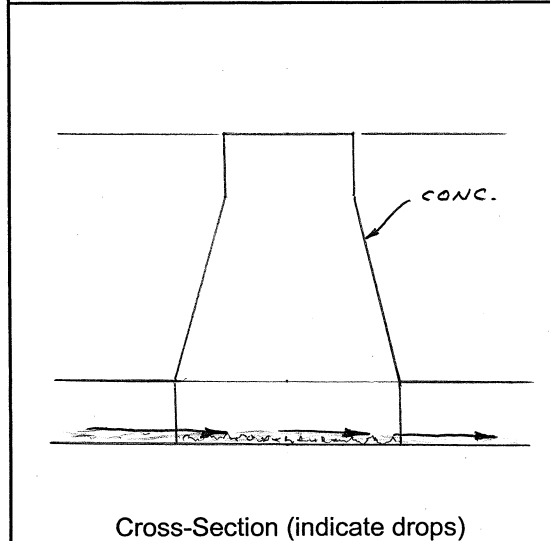
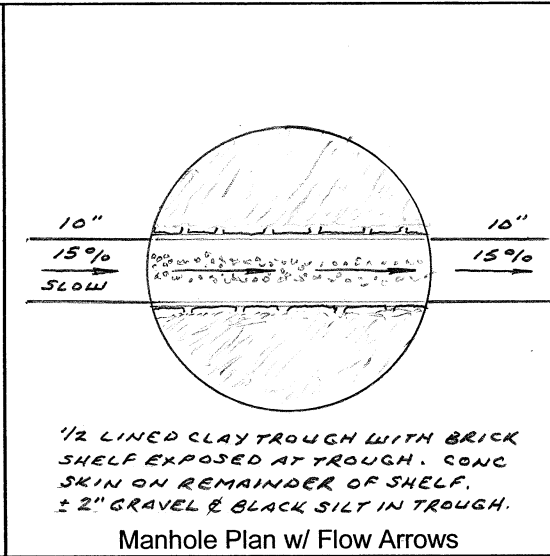
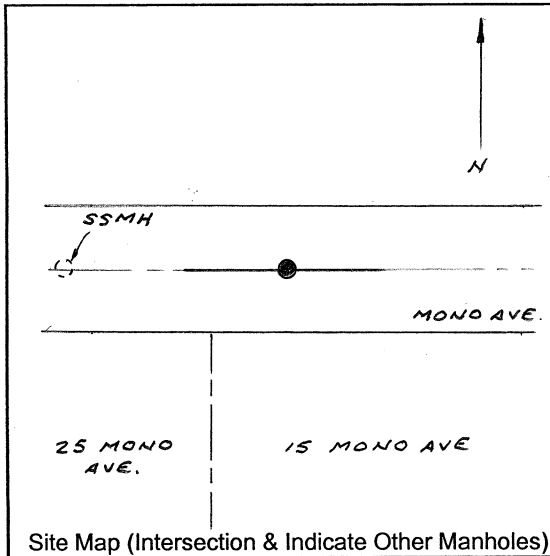
SURVEY INFORMATION DATA SHEET

SANITARY SEWER MASTER PLAN

CITY OF OROVILLE

Date: 6-22-7 12:30 PM

Initials RG JB



Other Site Information

Town	Orville			
Manhole Number	V V I	RAR 154		
Intersection	MONO AVE.			
Weather	CLEAR, HOT			
Surface Conditions	DRY, NORMAL			
Paved/Unpaved	PAVED			
Features	E STREET			
Flow Conditions	MEDIUM, SLOW			
Surcharge	Yes <input checked="" type="checkbox"/> No			
Traffic Conditions	Heavy / Medium <input checked="" type="checkbox"/> Light No Traffic			
Manhole Conditions	MANUFACTURED CONC.			
Diameters (inches)	± 42" BASE			
Condition	New <input checked="" type="checkbox"/> Good OK / Bad / Deteriorating			
Depth (in feet)	± 4.20'			
Infiltration	Yes <input checked="" type="checkbox"/> No			
Invert Elevation				
Rim Elevation	264.90			
INVERT ELEVATIONS				
DIREC-TION	INVERT ELEV.	ENTERING/ LEAVING	MATERIAL	SIZE OF PIPE (in)
W	260.72	IN	CLAY	10"
E	260.69	OUT	CLAY	10"

Other Remarks: _____

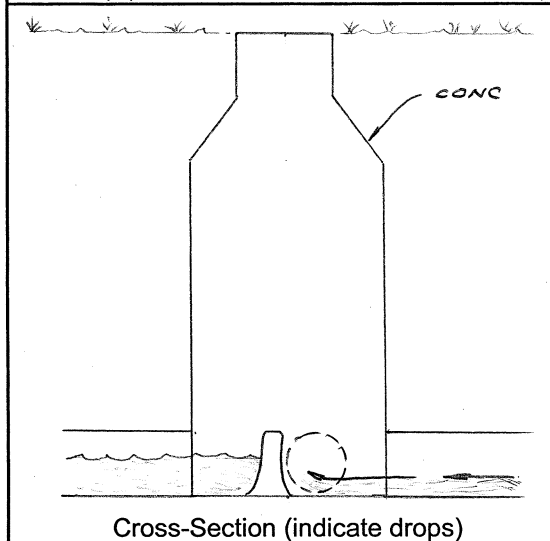
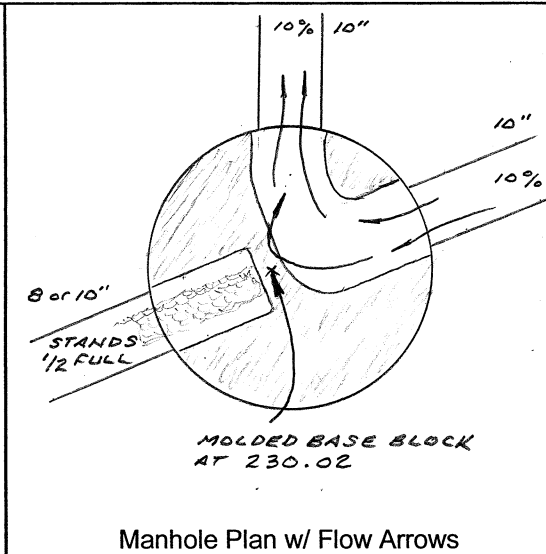
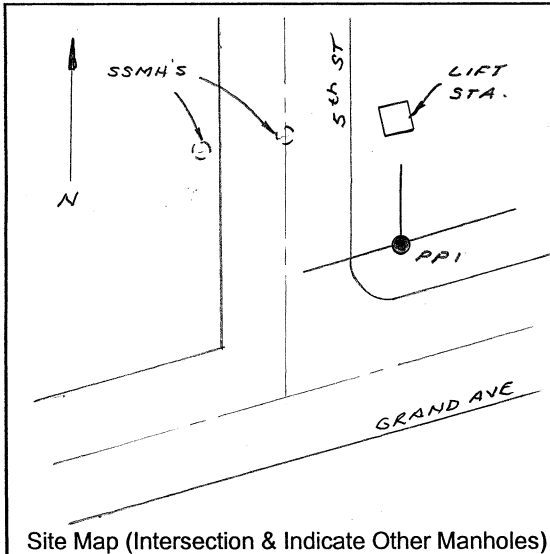
SURVEY INFORMATION DATA SHEET

SANITARY SEWER MASTER PLAN

CITY OF OROVILLE

Date: 6-22-7 1:15 PM

Initials RG JB



Other Site Information

Town	Oroville			
Manhole Number	PPI	RAR 371		
Intersection	NE RETURN GRAND AVE @ 5 TH ST			
Weather	CLEAR, HOT			
Surface Conditions	DRY, NORMAL			
Paved/Unpaved	UNPAVED, MOWED GRASS & WEEDS			
Features	RIM FLUSH WITH GROUND			
Flow Conditions	8 or 10" SW STANDING 1/2 FULL MAIN TROUGH MOVING VERY FAST			
Surcharge	Yes <input checked="" type="checkbox"/> No			
Traffic Conditions	Heavy / Medium / Light <input checked="" type="checkbox"/> No Traffic			
Manhole Conditions	MANUFACTURED CONC.			
Diameters (inches)	48"			
Condition	New <input checked="" type="checkbox"/> Good <input type="checkbox"/> OK / Bad / Deteriorating			
Depth (in feet)	14.7'			
Infiltration	Yes <input checked="" type="checkbox"/> No			
Invert Elevation				
Rim Elevation	243.65			
INVERT ELEVATIONS				
DIREC-TION	INVERT ELEV.	ENTERING/ LEAVING	MATERIAL	SIZE OF PIPE (in)
NE	229.05	IN	CLAY	10"
N	228.95	OUT	CLAY	10"
SW	229.13	Ø	CLAY	8 or 10"

Other Remarks: _____

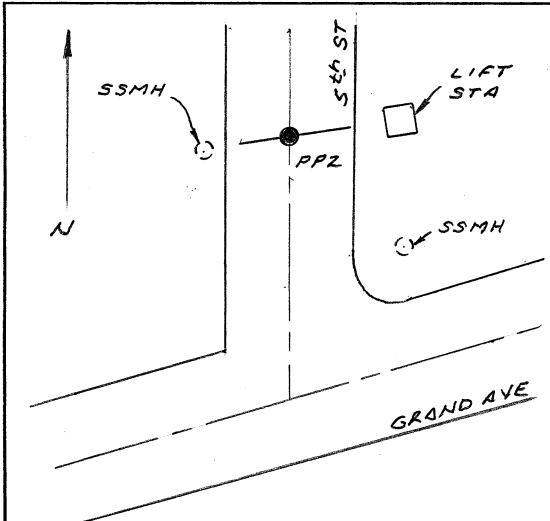
SURVEY INFORMATION DATA SHEET

SANITARY SEWER MASTER PLAN

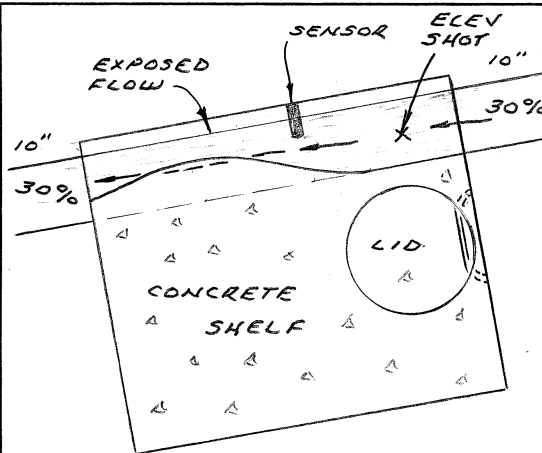
CITY OF OROVILLE

Date: 6-22-7 1:30 PM

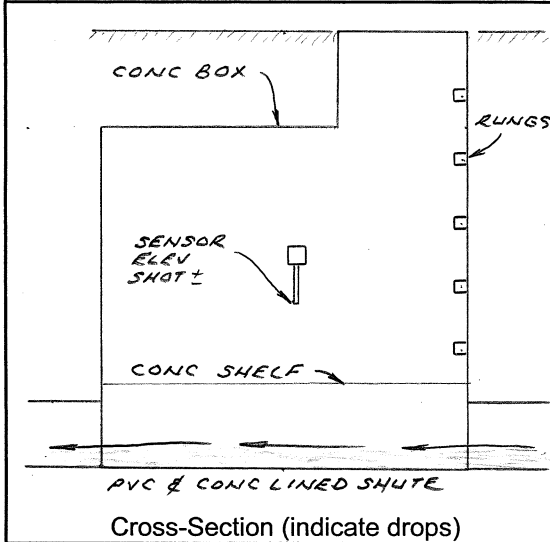
Initials RG JB



Site Map (Intersection & Indicate Other Manholes)



Manhole Plan w/ Flow Arrows



Cross-Section (indicate drops)

Other Site Information

Town	Oroville			
Manhole Number	PPZ	RAR 373		
Intersection	± 100' N OF GRAND AVE ON 5th ST			
Weather	CLEAR, HOT			
Surface Conditions	DRY, NORMAL			
Paved/Unpaved	PAVED			
Features	E STREET - RECTANGULAR CONC BOX			
Flow Conditions	MODERATE - FAST - POOR VISIBILITY			
Surcharge	Yes <input checked="" type="checkbox"/> No			
Traffic Conditions	Heavy / Medium <input checked="" type="checkbox"/> Light / No Traffic			
Manhole Conditions	MANUFACTURED CONC			
Diameters (inches)	UNKNOWN			
Condition	New <input checked="" type="checkbox"/> Good / OK / Bad / Deteriorating			
Depth (in feet)	14.5'			
Infiltration	Yes <input checked="" type="checkbox"/> No			
Invert Elevation				
Rim Elevation	243.70			
INVERT ELEVATIONS				
DIREC-TION	INVERT ELEV.	ENTERING/ LEAVING	MATERIAL	SIZE OF PIPE (in)
X	229.19	EAST - WEST	?	10 or 12"
SENSOR	232.0±			
SHELF	230.47			

Other Remarks: _____

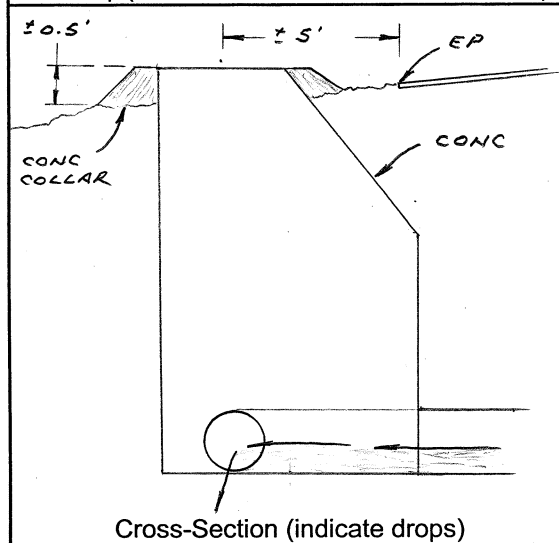
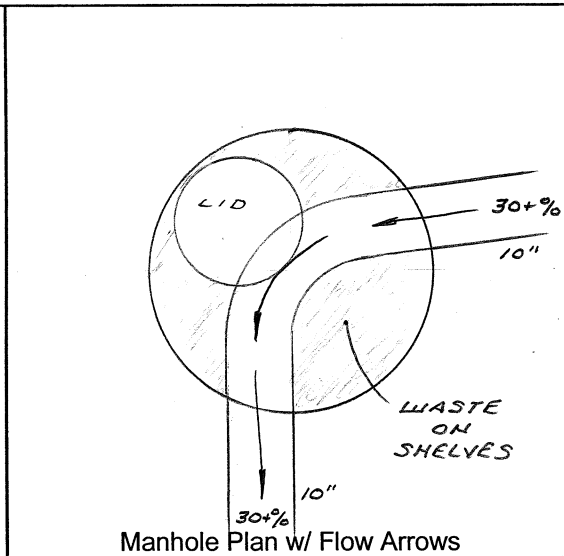
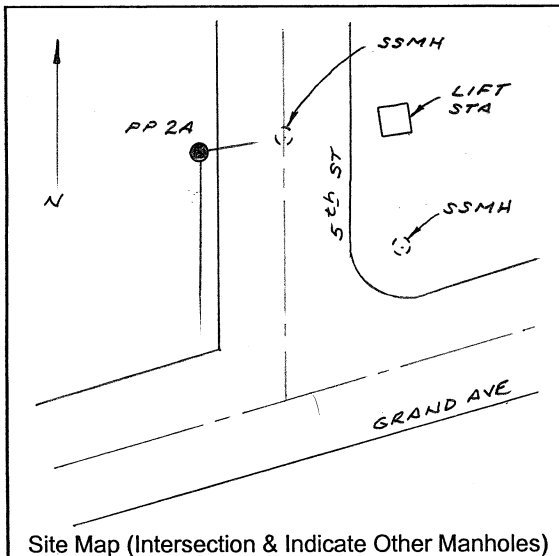
SURVEY INFORMATION DATA SHEET

SANITARY SEWER MASTER PLAN

CITY OF OROVILLE

Date: 6-22-7 1:50 PM

Initials RG JB



Other Site Information

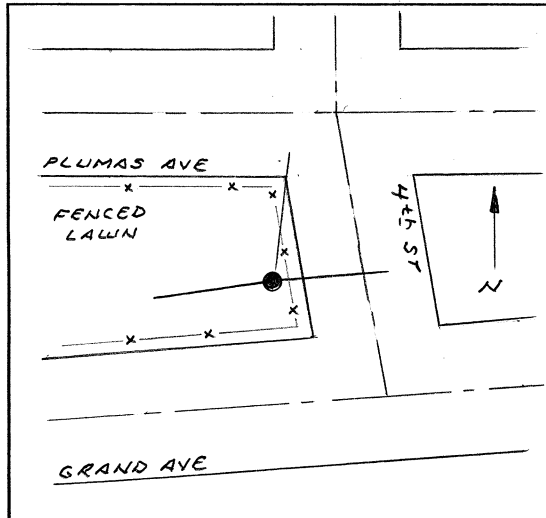
Town	Orville			
Manhole Number	PP 2A	RAR 374		
Intersection	± 100' N. OF GRAND AVE ON W. EP 5 th ST			
Weather	CLEAR, HOT			
Surface Conditions	DRY, NORMAL			
Paved/Unpaved	UNPAVED			
Features	SEE CROSS-SECTION			
Flow Conditions	MODERATE - FAST			
Surcharge	Yes <input checked="" type="checkbox"/> No			
Traffic Conditions	Heavy / Medium / Light <input checked="" type="checkbox"/> No Traffic			
Manhole Conditions	MANUFACTURED CONC			
Diameters (inches)	48"			
Condition	<input checked="" type="checkbox"/> New / Good / OK / Bad / Deteriorating			
Depth (in feet)	15.5'			
Infiltration	Yes <input checked="" type="checkbox"/> No			
Invert Elevation				
Rim Elevation	243.62			
INVERT ELEVATIONS				
DIREC-TION	INVERT ELEV.	ENTERING/ LEAVING	MATERIAL	SIZE OF PIPE (in)
E HE	228.07	IN	CLAY	10"
S	228.01	OUT	CLAY	10"

Other Remarks: _____

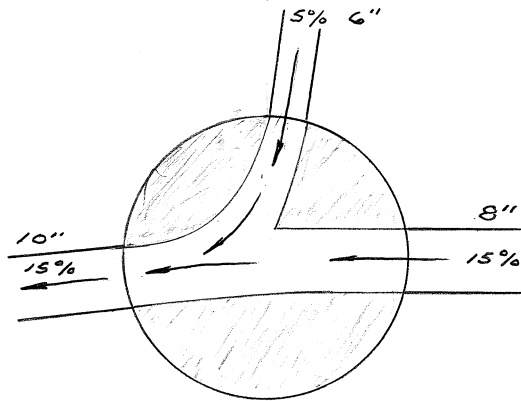
SURVEY INFORMATION DATA SHEET
SANITARY SEWER MASTER PLAN
CITY OF OROVILLE

Date: 6-22-7 2:30 PM

Initials RG JB

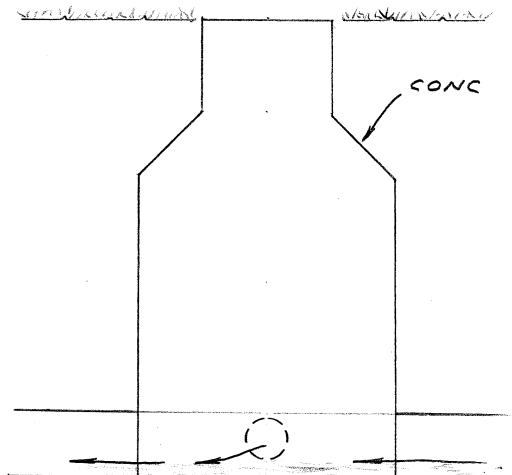


Site Map (Intersection & Indicate Other Manholes)



WASTE ON SHELVES

Manhole Plan w/ Flow Arrows



Cross-Section (indicate drops)

Other Site Information

Town	Oroville			
Manhole Number	PP5	RAR 30		
Intersection	± 100 N. OF GRAND AVE W. SIDE 4 th ST.			
Weather	CLEAR, HOT			
Surface Conditions	DRY, LID FLUSH WITH LAWN			
Paved/Unpaved	UNPAVED			
Features				
Flow Conditions	MEDIUM - FAST			
Surcharge	Yes (No)			
Traffic Conditions	Heavy / Medium / Light (No Traffic)			
Manhole Conditions	MANUFACTURED CONC.			
Diameters (inches)	48"			
Condition	New (Good) OK / Bad / Deteriorating			
Depth (in feet)	18.0'			
Infiltration	Yes (No)			
Invert Elevation				
Rim Elevation	249.17			
INVERT ELEVATIONS				
DIREC- TION	INVERT ELEV.	ENTERING/ LEAVING	MATERIAL	SIZE OF PIPE (in)
E NE	231.24	IN	?	8"
W SW	231.07	OUT	?	10"
N	231.33	IN	?	6"

Other Remarks: HARD TO SEE; DEEP AND IN SHADE OF SMALL TREE

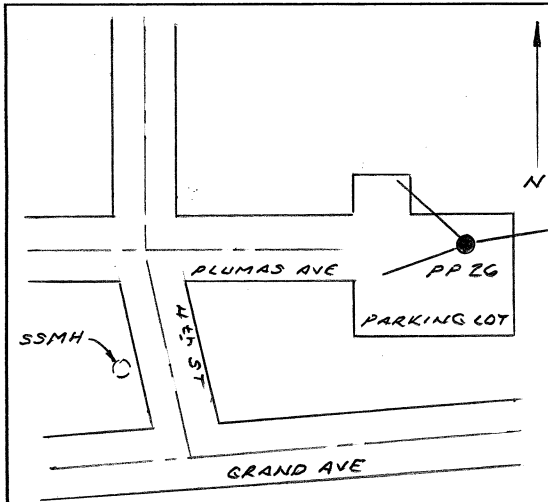
SURVEY INFORMATION DATA SHEET

SANITARY SEWER MASTER PLAN

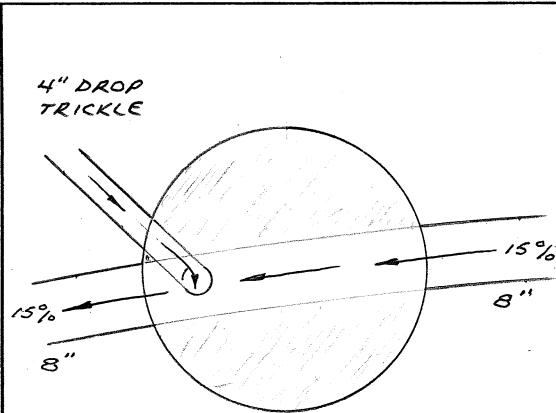
CITY OF OROVILLE

Date: 6-22-7 2:40 PM

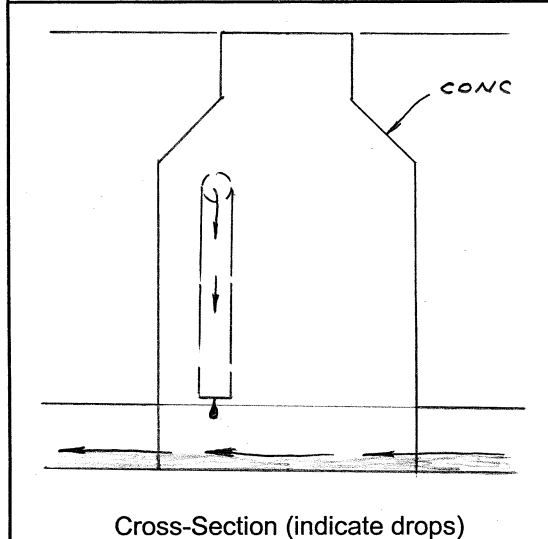
Initials RG JB



Site Map (Intersection & Indicate Other Manholes)



Manhole Plan w/ Flow Arrows



Cross-Section (indicate drops)

WASTE ON SHELVES

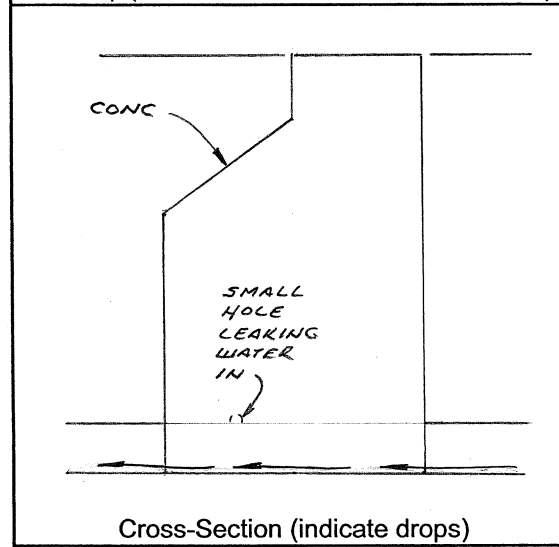
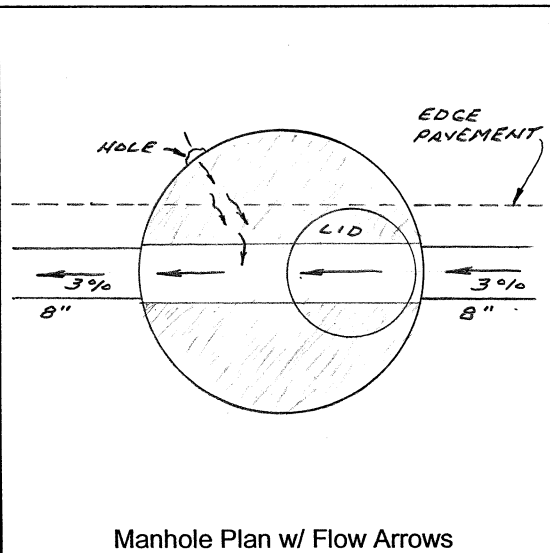
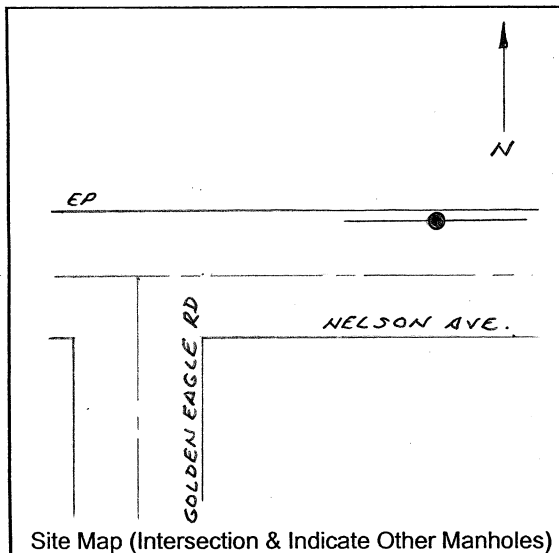
Other Site Information

Town	Oroville			
Manhole Number	PP 26		RAR 31	
Intersection	PARKING LOT EAST END PLUMAS AVE			
Weather	CLEAR, HOT			
Surface Conditions	DRY, NORMAL			
Paved/Unpaved	PAVED			
Features				
Flow Conditions	MEDIUM - FAST			
Surcharge	Yes (No)			
Traffic Conditions	Heavy / Medium / Light / No Traffic			
Manhole Conditions	MANUFACTURED CONC.			
Diameters (inches)	48"			
Condition	New (Good) OK / Bad / Deteriorating			
Depth (in feet)	± 17.13			
Infiltration	Yes (No)			
Invert Elevation				
Rim Elevation	249.19			
INVERT ELEVATIONS				
DIREC-TION	INVERT ELEV.	ENTERING/ LEAVING	MATERIAL	SIZE OF PIPE (in)
E NE	232.13	IN	?	8"
W SW	232.02	OUT	?	8"
NW	242.12 ±	IN	BLACK PLAS	4"

Other Remarks: _____

SURVEY INFORMATION DATA SHEET
SANITARY SEWER MASTER PLAN
CITY OF OROVILLE

Date: 6-25-7 8:00 AM
 Initials RG JB



Other Site Information

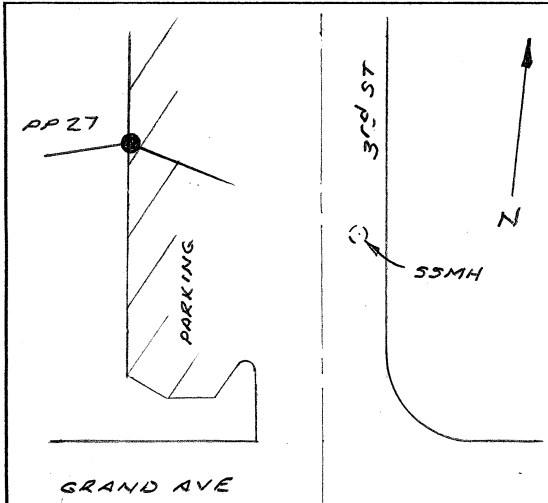
Town	Oroville			
Manhole Number	PP 14 RAR 176			
Intersection	NELSON AVE.			
Weather	CLEAR, WARM			
Surface Conditions	DRY, WARM			
Paved/Unpaved	PAVED			
Features	N. EP NELSON AVE.			
Flow Conditions	LIGHT - STEADY			
Surcharge	Yes <input checked="" type="checkbox"/> No			
Traffic Conditions	Heavy <input checked="" type="checkbox"/> Medium / Light / No Traffic			
Manhole Conditions	MANUFACTURED CONC			
Diameters (inches)	48"			
Condition	New <input checked="" type="checkbox"/> Good / OK / Bad / Deteriorating			
Depth (in feet)	7.2'			
Infiltration	<input checked="" type="checkbox"/> Yes / No			
Invert Elevation				
Rim Elevation	219.16			
INVERT ELEVATIONS				
DIREC-TION	INVERT ELEV.	ENTERING/ LEAVING	MATERIAL	SIZE OF PIPE (in)
E	211.98	IN	CONC?	8"
W	211.98±	OUT	CONC?	8"

Other Remarks: _____

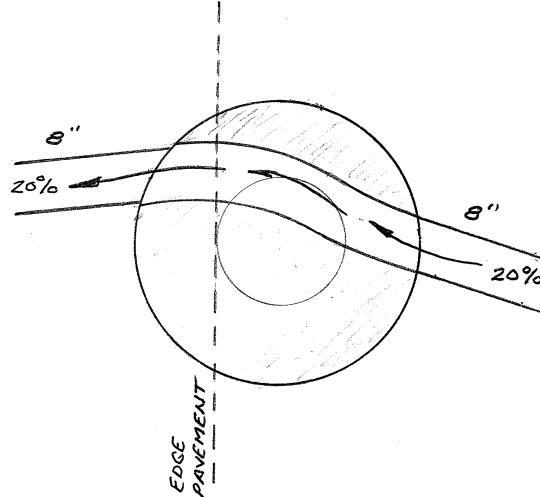
SURVEY INFORMATION DATA SHEET
SANITARY SEWER MASTER PLAN
CITY OF OROVILLE

Date: 6-25-7 8:40 AM

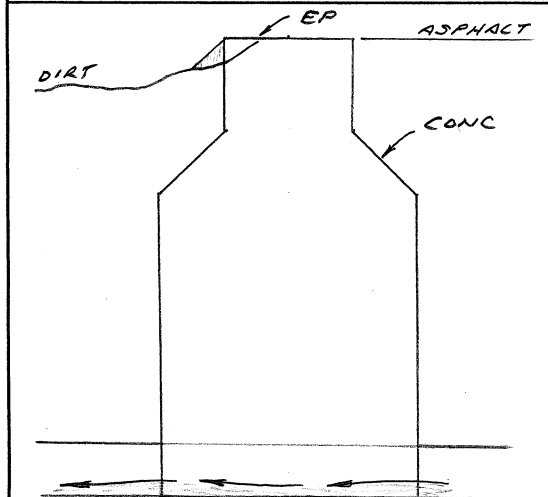
Initials RG JB



Site Map (Intersection & Indicate Other Manholes)



Manhole Plan w/ Flow Arrows



Cross-Section (indicate drops)

Other Site Information

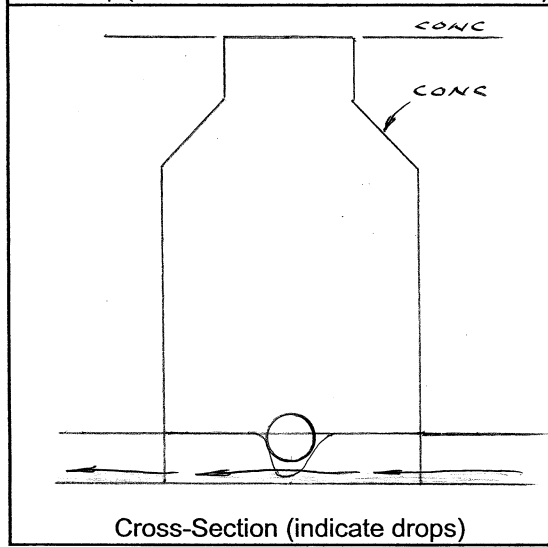
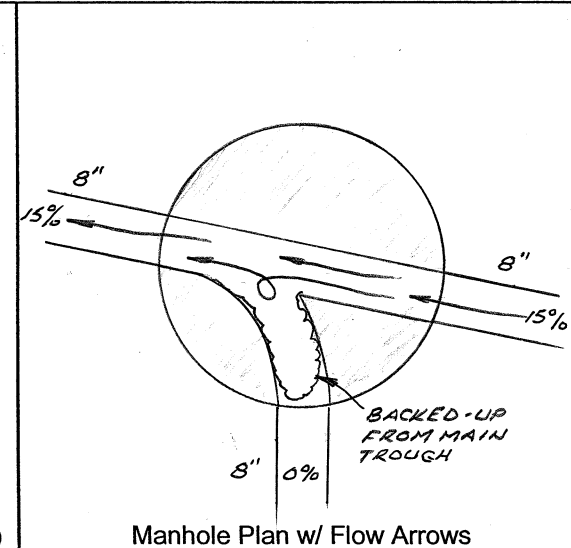
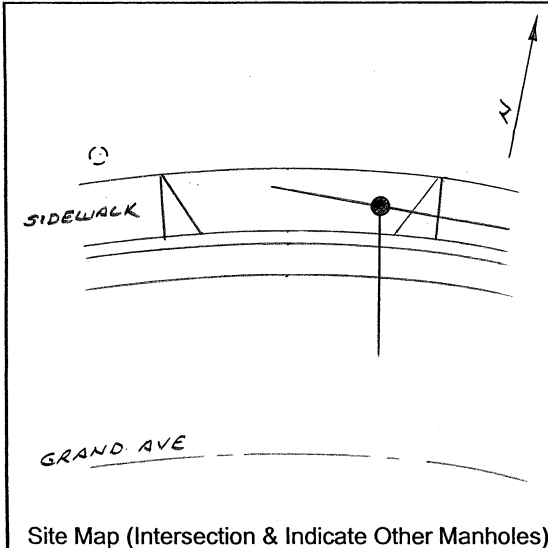
Town	Oroville			
Manhole Number	PP 27 RAR 33			
Intersection	100' N OF GRAND AVE ON W. EDGE 3 RD ST			
Weather	CLEAR, WARM			
Surface Conditions	DRY, NORMAL			
Paved/Unpaved	PAVED			
Features	1/3 OFF W. EP AMTRACT PARKING LOT			
Flow Conditions	MODERATE - SWIFT TUMBLING			
Surcharge	Yes (No)			
Traffic Conditions	Heavy / Medium / Light (No Traffic)			
Manhole Conditions	MANUFACTURED CONC			
Diameters (inches)	48"			
Condition	New (Good) / OK / Bad / Deteriorating			
Depth (in feet)	17.50'			
Infiltration	Yes (No)			
Invert Elevation				
Rim Elevation	250.96			
INVERT ELEVATIONS				
DIREC-TION	INVERT ELEV.	ENTERING/ LEAVING	MATERIAL	SIZE OF PIPE (in)
E	233.38 ✓	IN	?	8"
W	233.49 ✓	OUT	?	8"

Other Remarks: _____

SURVEY INFORMATION DATA SHEET
SANITARY SEWER MASTER PLAN
CITY OF OROVILLE

Date: 6-25-7 9:00 AM

Initials RG JB



Other Site Information

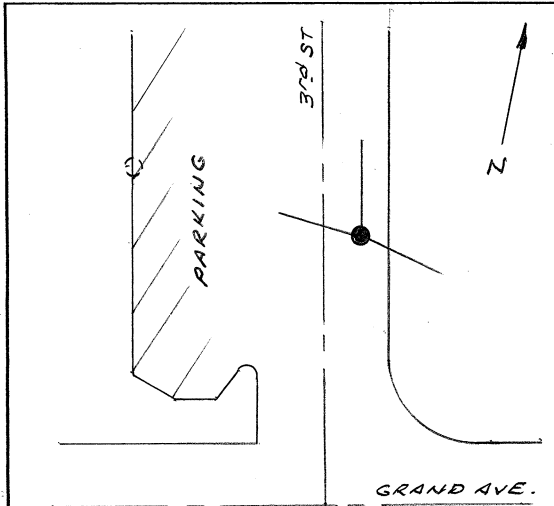
Town	Oroville			
Manhole Number	DP 34 RAR 347			
Intersection	±300 E OF 3 RD ST N. SIDE GRAND AVE			
Weather	CLR, WARM			
Surface Conditions	DRY, NORMAL			
Paved/Unpaved	CONC. SIDEWALK			
Features	—			
Flow Conditions	MODERATE - STEADY			
Surcharge	Yes <input checked="" type="checkbox"/> No			
Traffic Conditions	Heavy / Medium / Light <input checked="" type="checkbox"/> No Traffic			
Manhole Conditions	MANUFACTURED CONC			
Diameters (inches)	48"			
Condition	New <input checked="" type="checkbox"/> Good OK / Bad / Deteriorating			
Depth (in feet)	15.32'			
Infiltration	Yes <input checked="" type="checkbox"/> No			
Invert Elevation				
Rim Elevation	249.73			
INVERT ELEVATIONS				
DIREC-TION	INVERT ELEV.	ENTERING/ LEAVING	MATERIAL	SIZE OF PIPE (in)
E	234.38	IN	?	8"
S	234.62	Ø	?	8"
W	234.39	OUT	?	8"

Other Remarks: _____

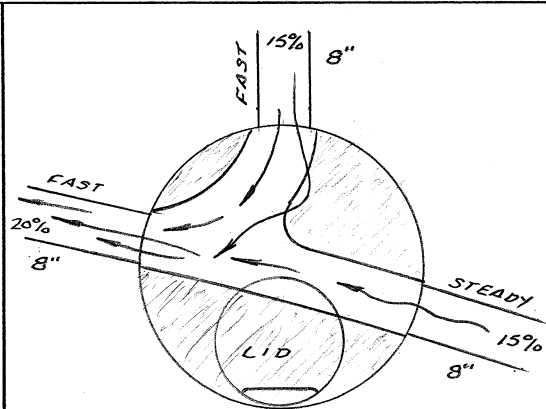
SURVEY INFORMATION DATA SHEET
SANITARY SEWER MASTER PLAN
CITY OF OROVILLE

Date: 6-25-7 9:30 AM

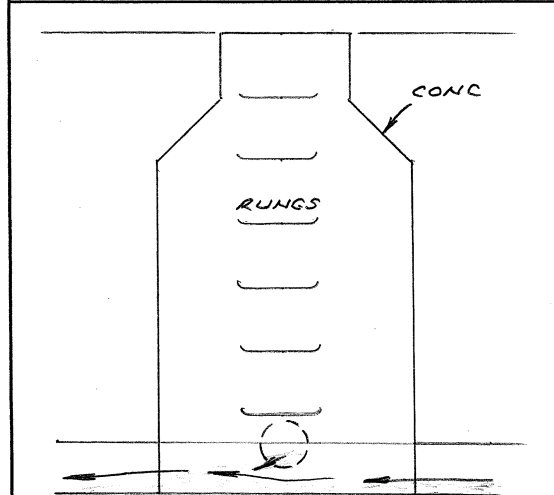
Initials RG JB



Site Map (Intersection & Indicate Other Manholes)



Manhole Plan w/ Flow Arrows



Cross-Section (indicate drops)

★ NO PRESENT SURCHARGE;
 WASTE CAKED ON WALLS &
 MATTED & HANGING ON AC-
 CESS RUNGS AT ± 241.5

Other Site Information

Town	Oroville			
Manhole Number	PP 28	RAR 32		
Intersection	±100 N OF GRAND AVE E.N. BOUND 3 RD ST			
Weather	CLEAR, WARM			
Surface Conditions	DRY, NORMAL			
Paved/Unpaved	PAVED			
Features	-			
Flow Conditions	MEDIUM			
Surcharge	Yes <input checked="" type="checkbox"/> No <input type="checkbox"/> *			
Traffic Conditions	Heavy <input checked="" type="checkbox"/> Medium <input type="checkbox"/> / Light / No Traffic			
Manhole Conditions	MANUFACTURED CONC			
Diameters (inches)	48"			
Condition	New <input checked="" type="checkbox"/> Good <input type="checkbox"/> / OK / Bad / Deteriorating			
Depth (in feet)	19.21'			
Infiltration	Yes <input checked="" type="checkbox"/> No <input type="checkbox"/>			
Invert Elevation				
Rim Elevation	252.75			
INVERT ELEVATIONS				
DIREC- TION	INVERT ELEV.	ENTERING/ LEAVING	MATERIAL	SIZE OF PIPE (in)
E	233.62	IN	?	8"
W	233.51	OUT	?	8"
N	233.84	IN	PVC	8"

Other Remarks: _____

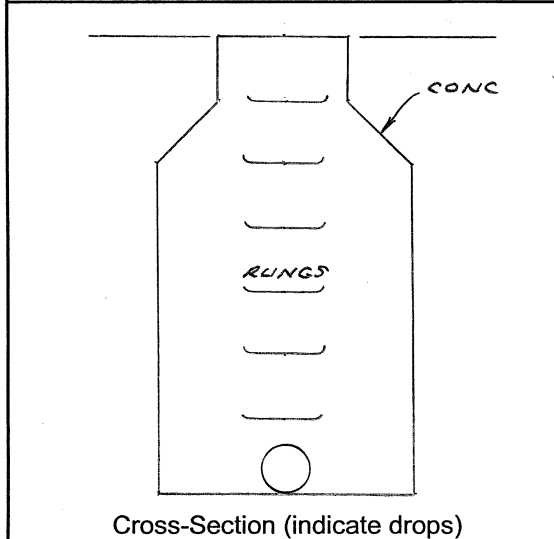
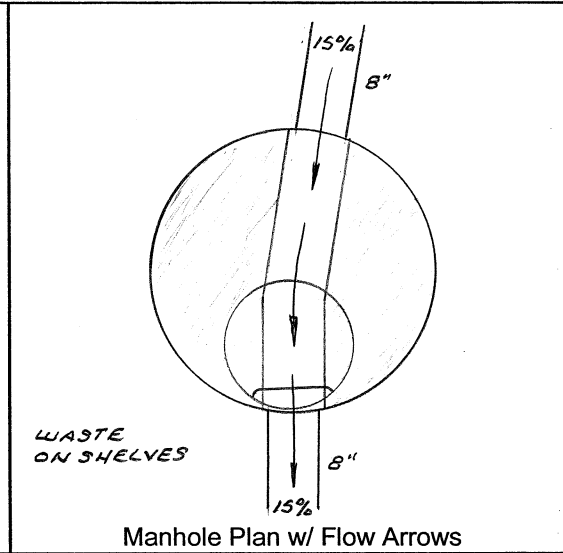
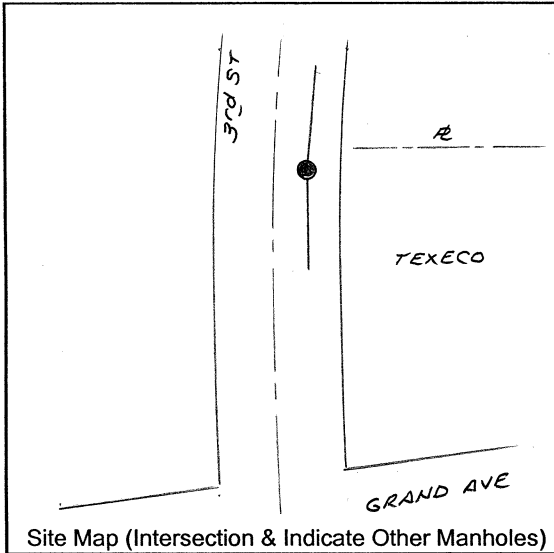
SURVEY INFORMATION DATA SHEET

SANITARY SEWER MASTER PLAN

CITY OF OROVILLE

Date: 6-25-7 10:00 AM

Initials RG JB



Other Site Information

Town	Oroville
Manhole Number	PP 29 RAR 34
Intersection	E N BOUND LANE 3 RD ST
Weather	CLEAR, WARM
Surface Conditions	DRY, NORMAL
Paved/Unpaved	PAVED
Features	
Flow Conditions	MODERATE, STEADY
Surcharge	Yes / <u>No</u>
Traffic Conditions	Heavy / <u>Medium</u> / Light / No Traffic
Manhole Conditions	MANUFACTURED CONC
Diameters (inches)	48"
Condition	New / <u>Good</u> / OK / Bad / Deteriorating
Depth (in feet)	12.1'
Infiltration	Yes / <u>No</u>
Invert Elevation	
Rim Elevation	252.25

INVERT ELEVATIONS				
DIREC-TION	INVERT ELEV.	ENTERING/ LEAVING	MATERIAL	SIZE OF PIPE (in)
N	240.10	IN	?	8"
S	240.10	OUT	?	8"

Other Remarks: _____

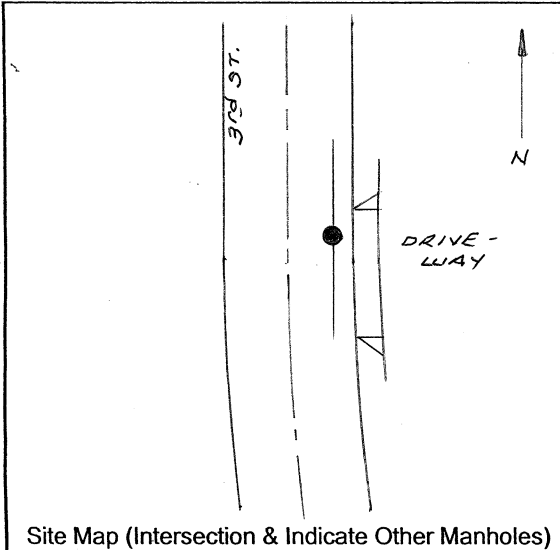
SURVEY INFORMATION DATA SHEET

SANITARY SEWER MASTER PLAN

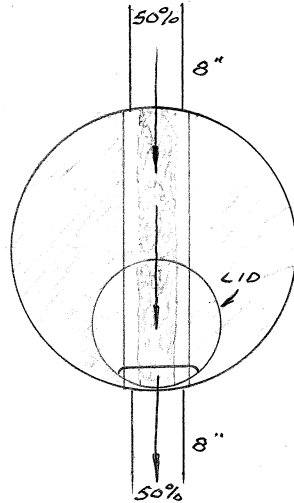
CITY OF OROVILLE

Date: 6-25-7 10:15 AM

Initials RG JB



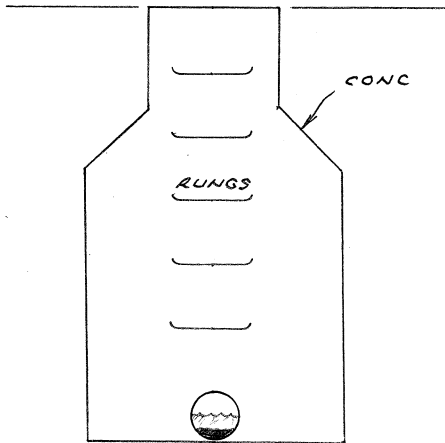
Site Map (Intersection & Indicate Other Manholes)



Manhole Plan w/ Flow Arrows

TROUGH CONTAINS ± 3" OF SILTY BUILD-UP (THUS FLOW APPEARS AT 1/2 PIPE.)
WASTE CAKED ON WALLS & MATTED & HANGING ON ACCESS RUNGS AT ± 244.75

Other Site Information



Cross-Section (indicate drops)

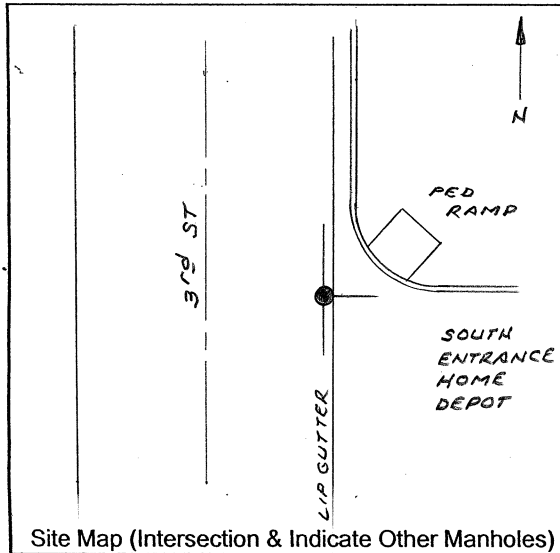
Town	Oroville			
Manhole Number	PP 30	RAR 35		
Intersection	E. SIDE 3 RD ST			
Weather	CLEAR WARM			
Surface Conditions	DRY, NORMAL			
Paved/Unpaved	PAVED			
Features	E. SIDE PARKING LANE			
Flow Conditions	MEDIUM-STEADY IN; SLOW OUT			
Surcharge	Yes <input checked="" type="checkbox"/> No <input type="checkbox"/> PRESENT			
Traffic Conditions	Heavy / Medium <input checked="" type="checkbox"/> Light / No Traffic			
Manhole Conditions	MANUFACTURED CONC			
Diameters (inches)	48"			
Condition	New <input checked="" type="checkbox"/> Good / OK / Bad / Deteriorating			
Depth (in feet)	11.0'			
Infiltration	Yes <input checked="" type="checkbox"/> No <input type="checkbox"/>			
Invert Elevation				
Rim Elevation	251.78			
INVERT ELEVATIONS				
DIRECTION	INVERT ELEV.	ENTERING/ LEAVING	MATERIAL	SIZE OF PIPE (in)
N	240.82	IN	?	8"
S	240.81	OUT	?	8"

Other Remarks: _____

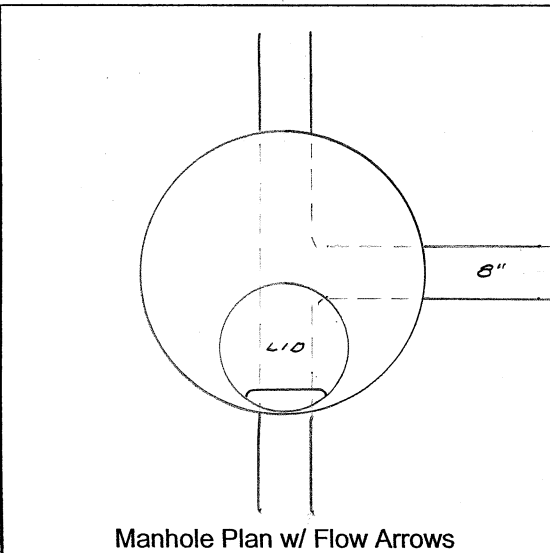
SURVEY INFORMATION DATA SHEET
SANITARY SEWER MASTER PLAN
CITY OF OROVILLE

Date: 6-25-7 10:30 AM

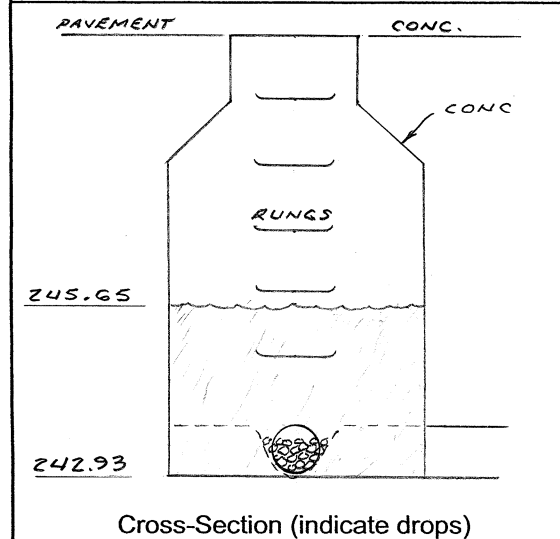
Initials RG JB



Site Map (Intersection & Indicate Other Manholes)



Manhole Plan w/ Flow Arrows



Cross-Section (indicate drops)

THERE IS NO VISIBLE MOVEMENT IN STANDING WATER. SCRATCHING WITH ROD DETECTS TROUGHS AS SHOWN WITH 8" INVERT EAST
 PRODDING WITH ROD DETECTS HEAVY & LARGE AMOUNT OF ROCK IN TROUGHS.
 MAIN TROUGH DEPTH: 7.85' => 242.93
 WATER LEVEL AT 245.65

Other Site Information

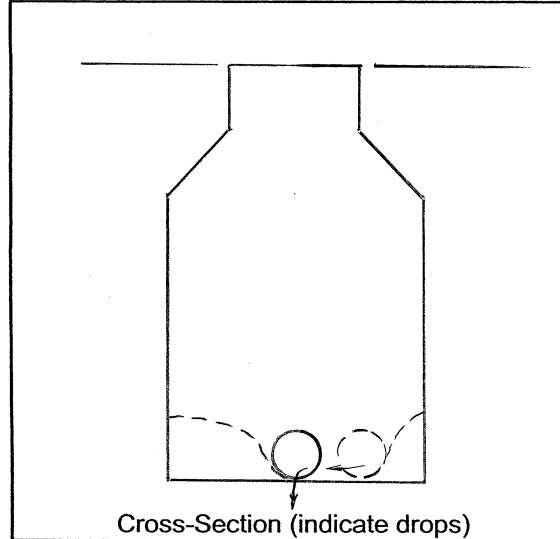
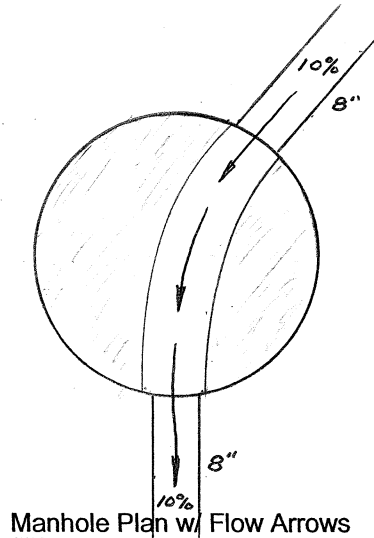
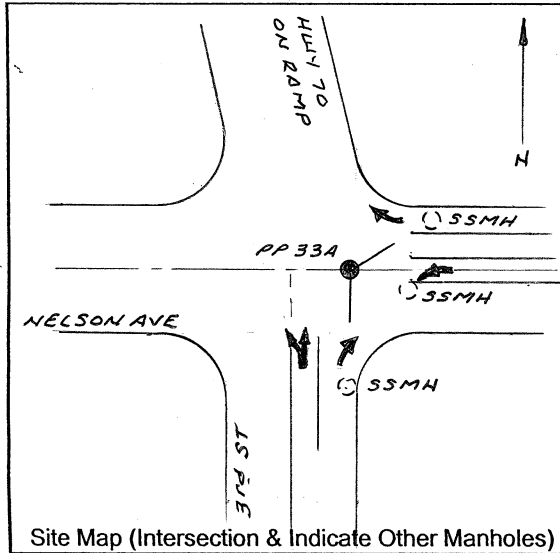
Town	Orville			
Manhole Number	PP 31	RAR 36		
Intersection	—			
Weather	CLEAR, WARM			
Surface Conditions	DRY, NORMAL			
Paved/Unpaved	PAVED / CONC			
Features				
Flow Conditions	STANDING			
Surcharge	Yes / No			
Traffic Conditions	Heavy / <u>Medium</u> / Light / No Traffic			
Manhole Conditions	MANUFACTURED CONC			
Diameters (inches)	48"?			
Condition	<u>New</u> / Good / OK / Bad / Deteriorating			
Depth (in feet)	7.85'			
Infiltration	N/A Yes / No			
Invert Elevation				
Rim Elevation	250.78			
INVERT ELEVATIONS				
DIREC-TION	INVERT ELEV.	ENTERING/ LEAVING	MATERIAL	SIZE OF PIPE (in)
N				
E				8"
S				

Other Remarks: _____

SURVEY INFORMATION DATA SHEET
SANITARY SEWER MASTER PLAN
CITY OF OROVILLE

Date: 6-25-7 11:30 AM

Initials RG JB



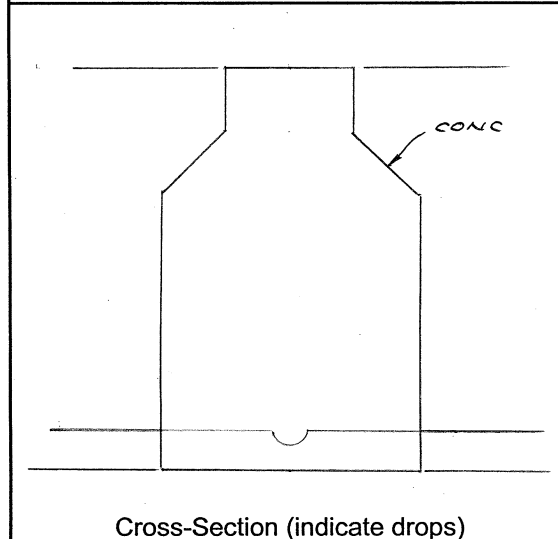
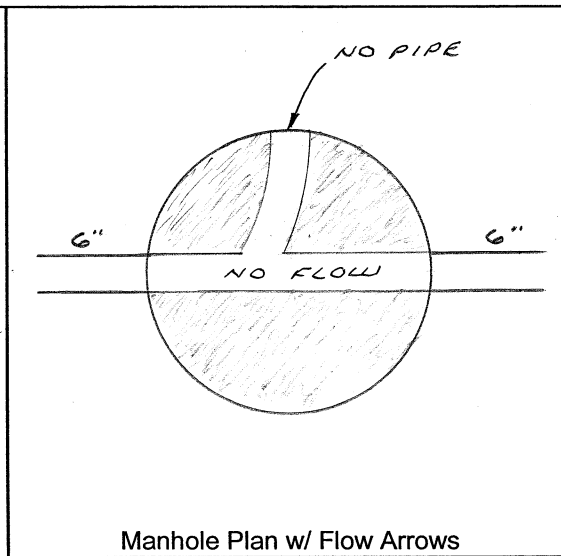
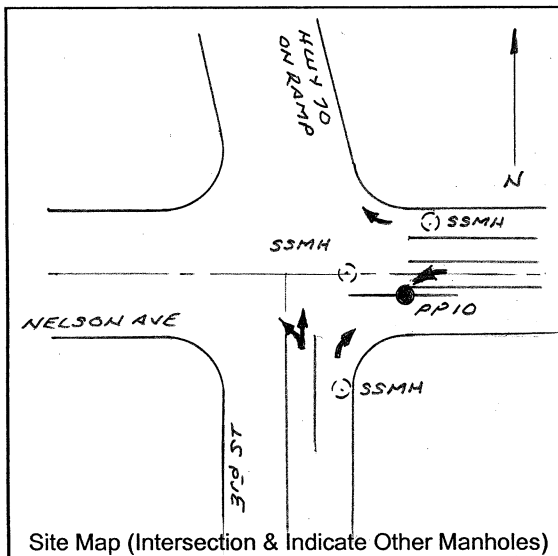
Other Site Information

Town	Oroville			
Manhole Number	PP 33A	RAR 20		
Intersection	3 rd ST & NELSON AVE			
Weather	CLEAR, WARM			
Surface Conditions	DRY, NORMAL			
Paved/Unpaved	PAVED			
Features	E NELSON AVE			
Flow Conditions	MEDIUM - FAST			
Surcharge	Yes / <input checked="" type="checkbox"/> No			
Traffic Conditions	<input checked="" type="checkbox"/> Heavy / Medium / Light / No Traffic			
Manhole Conditions	MANUFACTURED CONC			
Diameters (inches)	48"			
Condition	<input checked="" type="checkbox"/> New / Good / OK / Bad / Deteriorating			
Depth (in feet)	6.90'			
Infiltration	Yes / <input checked="" type="checkbox"/> No			
Invert Elevation				
Rim Elevation	258.10			
INVERT ELEVATIONS				
DIREC-TION	INVERT ELEV.	ENTERING/ LEAVING	MATERIAL	SIZE OF PIPE (in)
NE	251.21	IN	PVC	8"
S	251.19	OUT	PVC	8"

Other Remarks: _____

SURVEY INFORMATION DATA SHEET
SANITARY SEWER MASTER PLAN
CITY OF OROVILLE

Date: 6-25-7 11:35 AM
 Initials RG JB



Other Site Information

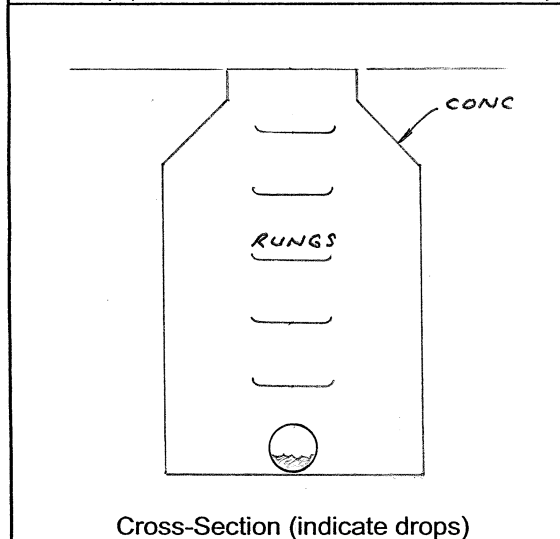
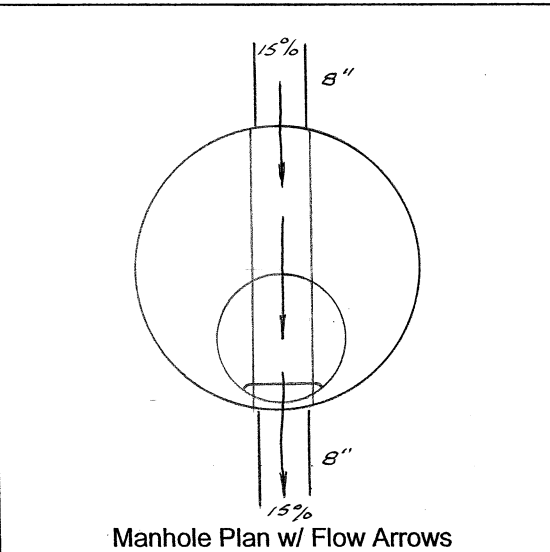
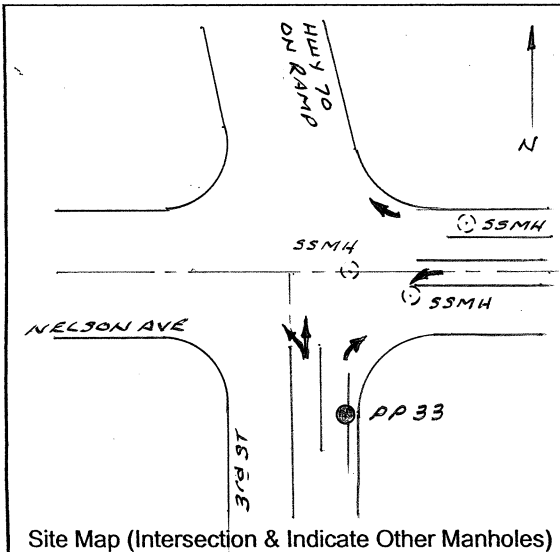
Town	Oroville			
Manhole Number	PP10		RAR 21	
Intersection	3 RD ST & NELSON AVE			
Weather	CLEAR, WARM			
Surface Conditions	DRY, NORMAL			
Paved/Unpaved	PAVED			
Features				
Flow Conditions	NO FLOW			
Surcharge	Yes / <input checked="" type="checkbox"/> No			
Traffic Conditions	<input checked="" type="checkbox"/> Heavy / Medium / Light / No Traffic			
Manhole Conditions	MANUFACTURED CONC			
Diameters (inches)	48"			
Condition	New / <input checked="" type="checkbox"/> Good / OK / Bad / Deteriorating			
Depth (in feet)	7.60			
Infiltration	Yes / <input checked="" type="checkbox"/> No			
Invert Elevation				
Rim Elevation	258.18			
INVERT ELEVATIONS				
DIREC-TION	INVERT ELEV.	ENTERING/ LEAVING	MATERIAL	SIZE OF PIPE (in)
E	250.57	Ø	?	6"
W	250.56	Ø	?	6"

Other Remarks: _____

SURVEY INFORMATION DATA SHEET
SANITARY SEWER MASTER PLAN
CITY OF OROVILLE

Date: 6-25-7 11:50 AM

Initials RG JB



Other Site Information

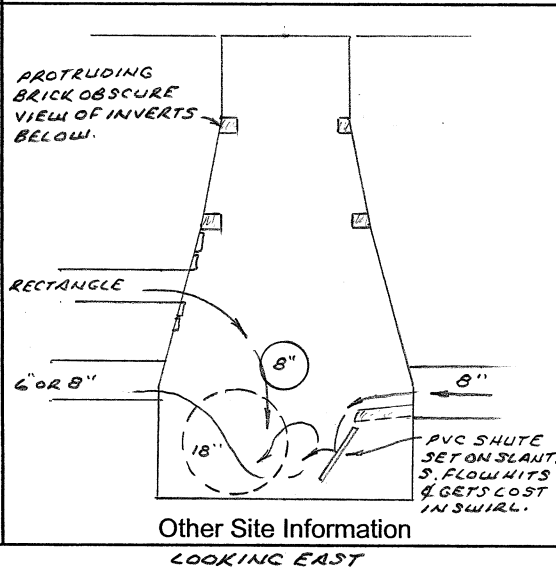
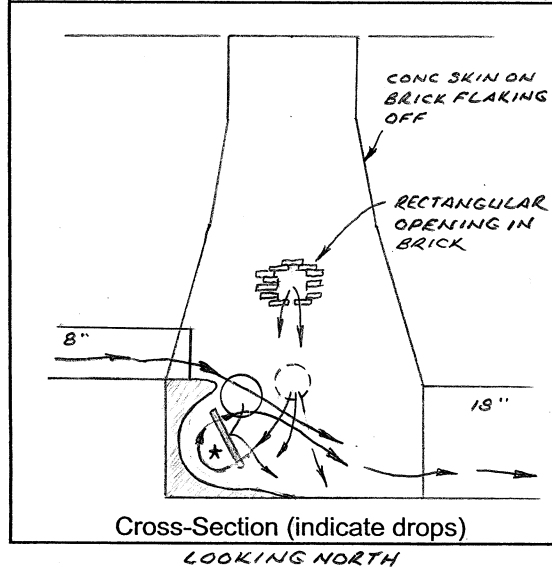
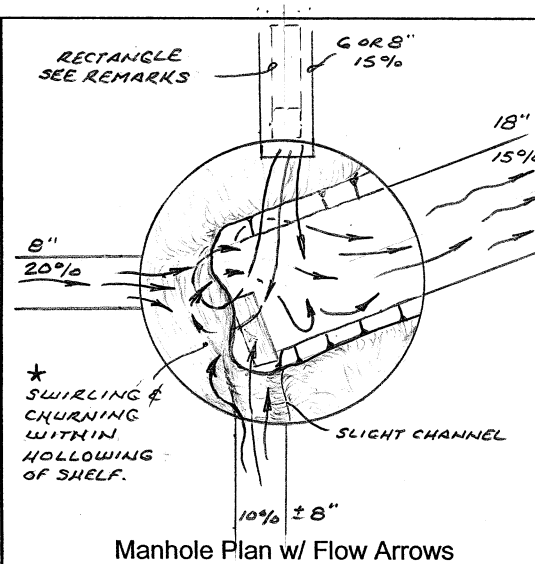
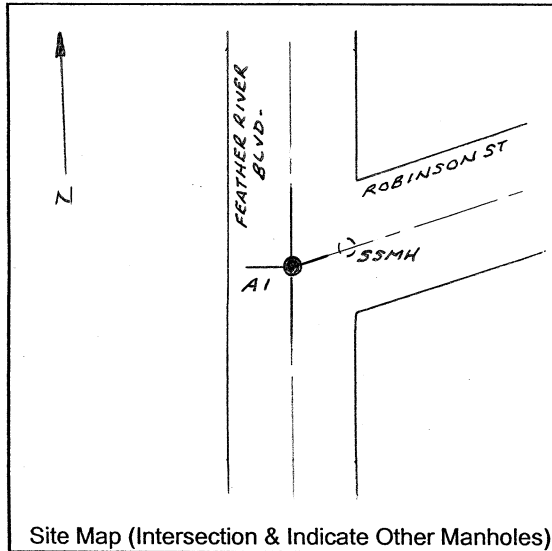
Town	Oroville			
Manhole Number	PP 33 RAR 22			
Intersection	3 rd ST & NELSON AVE.			
Weather	CLEAR, WARM			
Surface Conditions	DRY, NORMAL			
Paved/Unpaved	PAVED			
Features	± 100' S. OF NELSON ONE SIDE 3 rd ST			
Flow Conditions	MEDIUM, STEADY			
Surcharge	Yes (No)			
Traffic Conditions	Heavy (Medium) / Light / No Traffic			
Manhole Conditions	MANUFACTURED CONC			
Diameters (inches)	48"			
Condition	(New) / Good / OK / Bad / Deteriorating			
Depth (in feet)	6.4'			
Infiltration	Yes (No)			
Invert Elevation				
Rim Elevation	255.80			
INVERT ELEVATIONS				
DIREC- TION	INVERT ELEV.	ENTERING/ LEAVING	MATERIAL	SIZE OF PIPE (in)
N	249.38	IN	?	8"
S	249.44	OUT	?	8"

Other Remarks: _____

SURVEY INFORMATION DATA SHEET
SANITARY SEWER MASTER PLAN
CITY OF OROVILLE

Date: 6-25-7 1:00 PM

Initials RG JB



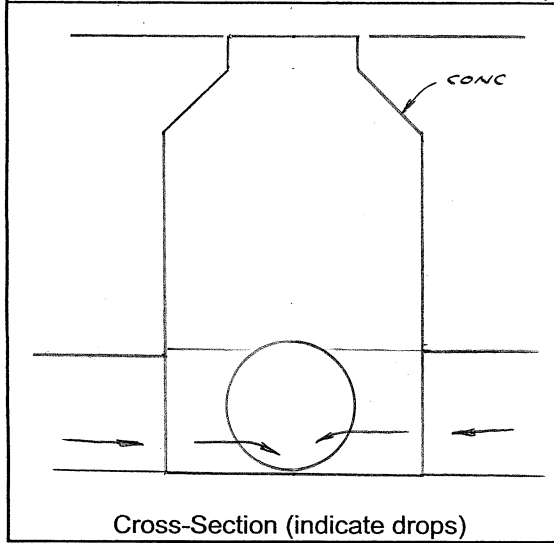
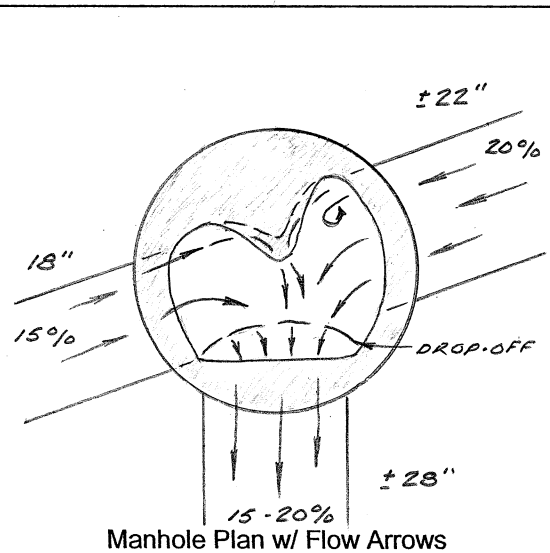
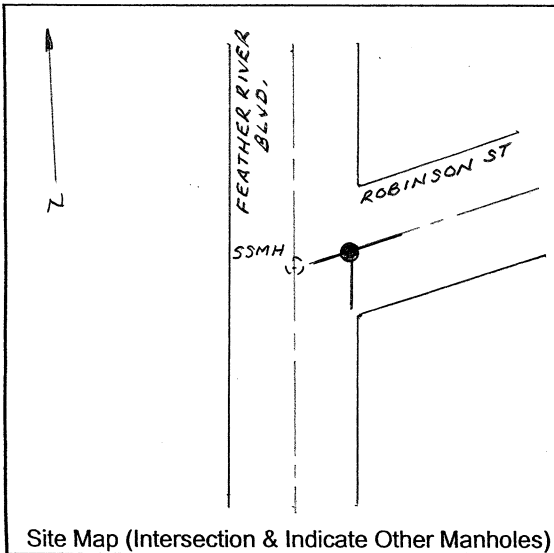
Town	Oroville			
Manhole Number	A1		RAR 476	
Intersection	FEATHER RIVER BLVD. & ROBINSON ST			
Weather	CLEAR, WARM			
Surface Conditions	DRY, NORMAL			
Paved/Unpaved	PAVED			
Features	± & / & INTERSECTION			
Flow Conditions	CHAOTIC - STEADY EXIT			
Surcharge	Yes (No)			
Traffic Conditions	(Heavy) / Medium / Light / No Traffic			
Manhole Conditions	CUSTOM BRICK WITH CONC SKIN			
Diameters (inches)	± 48"			
Condition	New / Good / OK (Bad) Deteriorating			
Depth (in feet)	10.31'			
Infiltration	Yes (No)			
Invert Elevation				
Rim Elevation	156.42			
INVERT ELEVATIONS				
DIREC-TION	INVERT ELEV.	ENTERING/ LEAVING	MATERIAL	SIZE OF PIPE (in)
E NE	146.03	OUT	?	18"
S	146.99±	IN	?	± 8"
W	147.74±	IN	PVC	8"
N	147.40±	IN	?	6 or 8"
N	148.57±	IN	?	SEE REMARKS ± 6" SQUARE

Other Remarks: BEGINNING OBSERVATION RETANGULAR OPENING WAS DRY. IT SUDDENLY GUSHED CLEAR WATER ± 15% FOR ± 5 MINUTES, THEN BEGAN TAPERING OFF.

SURVEY INFORMATION DATA SHEET
SANITARY SEWER MASTER PLAN
CITY OF OROVILLE

Date: 6-25-7 2:00 PM

Initials RC JB



Other Site Information

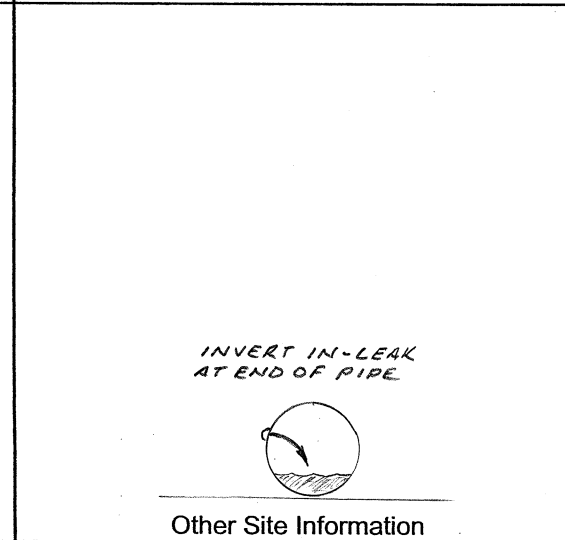
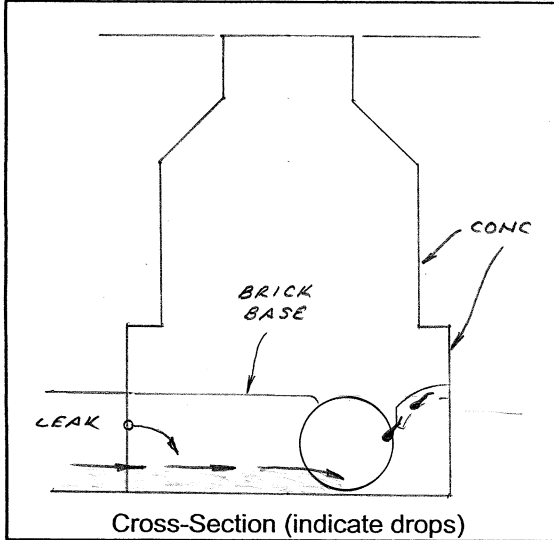
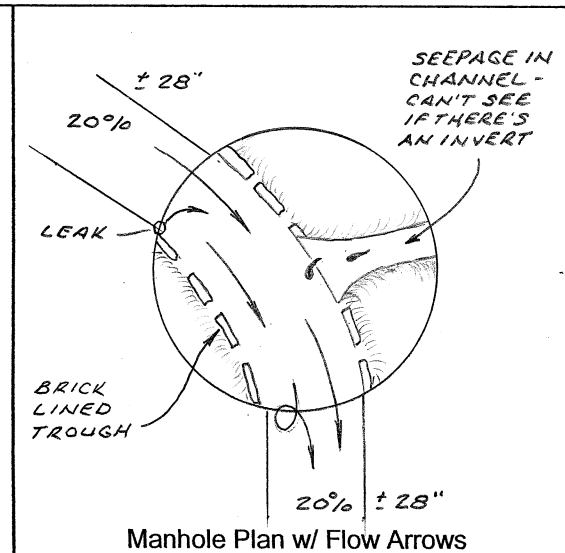
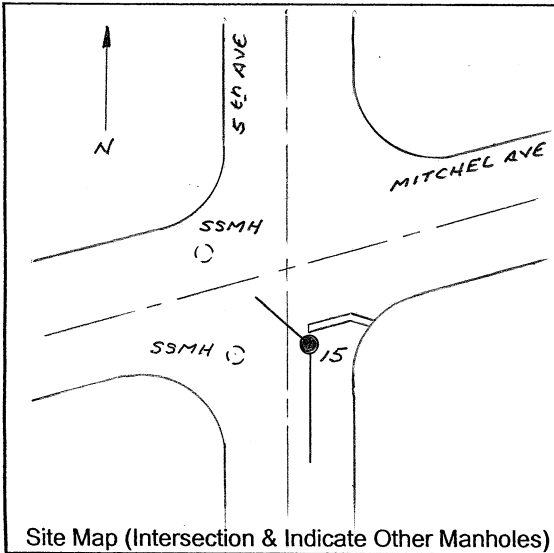
Town	Oroville			
Manhole Number	21 RAR 475			
Intersection	FEATHER RIVER BLVD & ROBINSON ST			
Weather	CLEAR, HOT			
Surface Conditions	DRY, NORMAL			
Paved/Unpaved	PAVED			
Features	-			
Flow Conditions	MEDIUM - FAST			
Surcharge	Yes (No)			
Traffic Conditions	Heavy (Medium) / Light / No Traffic			
Manhole Conditions	MANUFACTURED CONC			
Diameters (inches)	± 60"			
Condition	(New) / Good / OK / Bad / Deteriorating			
Depth (in feet)	10.67			
Infiltration	Yes (No)			
Invert Elevation				
Rim Elevation	156.56			
INVERT ELEVATIONS				
DIREC-TION	INVERT ELEV.	ENTERING/ LEAVING	MATERIAL	SIZE OF PIPE (in)
E NE	146.10	IN	?	± 22"
S	145.38	OUT	?	± 28"
W SW	146.10	IN	?	18"

Other Remarks: _____

SURVEY INFORMATION DATA SHEET
SANITARY SEWER MASTER PLAN
CITY OF OROVILLE

Date: 6-25-7 2:50 PM

Initials RG JB



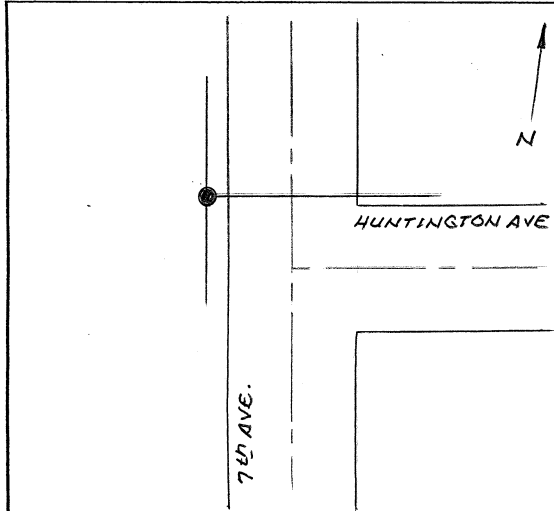
Town	Oroville			
Manhole Number	15	RAR 638		
Intersection	5th AVE & MITCHELL AVE.			
Weather	CLEAR, HOT			
Surface Conditions	DRY, NORMAL			
Paved/Unpaved	PAVED			
Features	-			
Flow Conditions	MODERATE, STEADY			
Surcharge	Yes <input checked="" type="checkbox"/> No			
Traffic Conditions	<input checked="" type="checkbox"/> Heavy / Medium / Light / No Traffic			
Manhole Conditions	BRICK BASE; MANUFACTURED CONC TOP			
Diameters (inches)	BOTTOM ± 60" TOP 48"			
Condition	New / Good <input checked="" type="checkbox"/> Bad / Deteriorating			
Depth (in feet)	17.54'			
Infiltration	<input checked="" type="checkbox"/> Yes <input type="checkbox"/> No			
Invert Elevation				
Rim Elevation	160.47			
INVERT ELEVATIONS				
DIRE- TION	INVERT ELEV.	ENTERING/ LEAVING	MATERIAL	SIZE OF PIPE (in)
NW	142.83	IN	CLAY	± 28"
S	142.86	OUT	?	± 28"

Other Remarks: _____

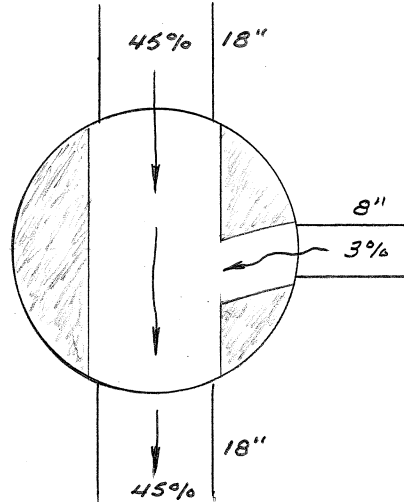
SURVEY INFORMATION DATA SHEET
SANITARY SEWER MASTER PLAN
CITY OF OROVILLE

Date: 6-26-7 1:30 PM

Initials RG JB

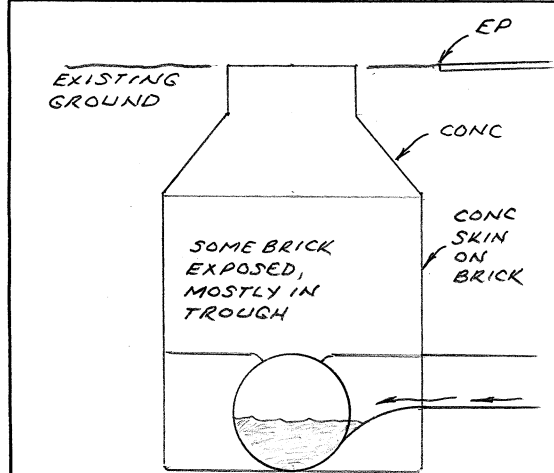


Site Map (Intersection & Indicate Other Manholes)

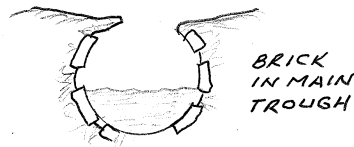


Manhole Plan w/ Flow Arrows

Town	Oroville
Manhole Number	SAS 5 RAR 826
Intersection	7 th AVE & HUNTINGTON AVE.
Weather	CLEAR, HOT
Surface Conditions	DRY, NORMAL
Paved/Unpaved	UNPAVED
Features	± 19' W. OF W. EP 7 th AVE FLUSH WITH GRAVEL.
Flow Conditions	MODERATE-SWIFT
Surcharge	Yes (No)
Traffic Conditions	Heavy / Medium / Light / (No Traffic)
Manhole Conditions	MANUFACTURED CONC BELL-CUSTOM
Diameters (inches)	± 48" BRICK BASE
Condition	New (Good) / OK / Bad / Deteriorating
Depth (in feet)	5.86'
Infiltration	Yes (No)
Invert Elevation	
Rim Elevation	150.12



Cross-Section (indicate drops)



Other Site Information

INVERT ELEVATIONS				
DIREC-TION	INVERT ELEV.	ENTERING/ LEAVING	MATERIAL	SIZE OF PIPE (in)
E	145.21	IN	BLACK PLAS.	8"
S	144.27	OUT	CLAY?	18"
N	144.25	IN	CLAY?	18"

Other Remarks: _____

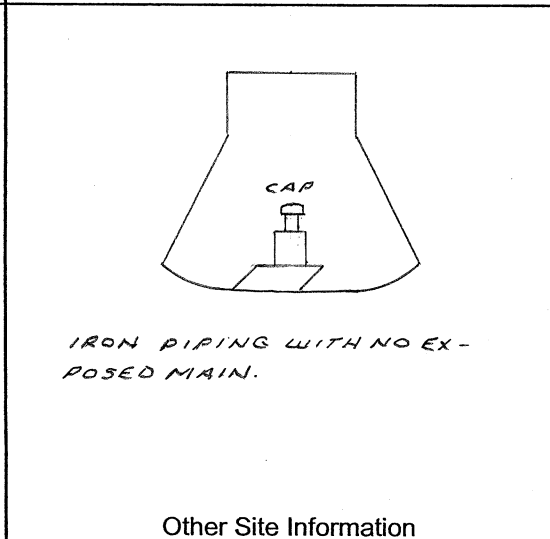
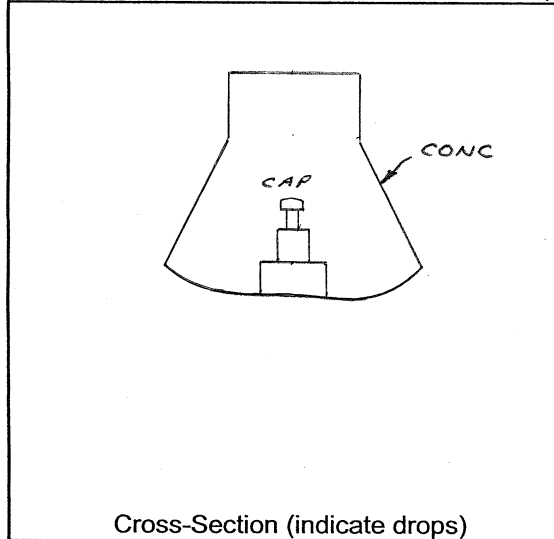
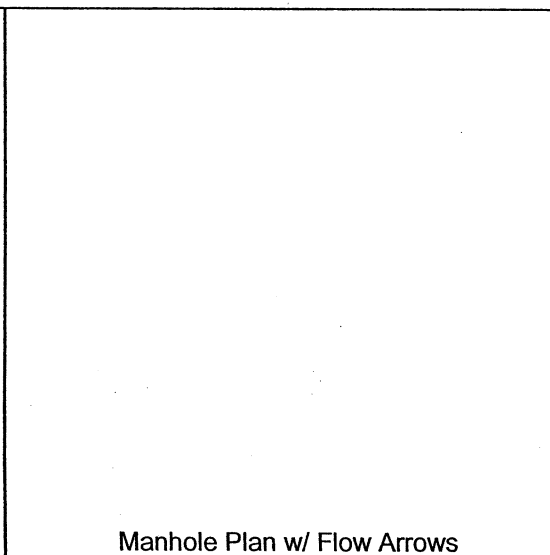
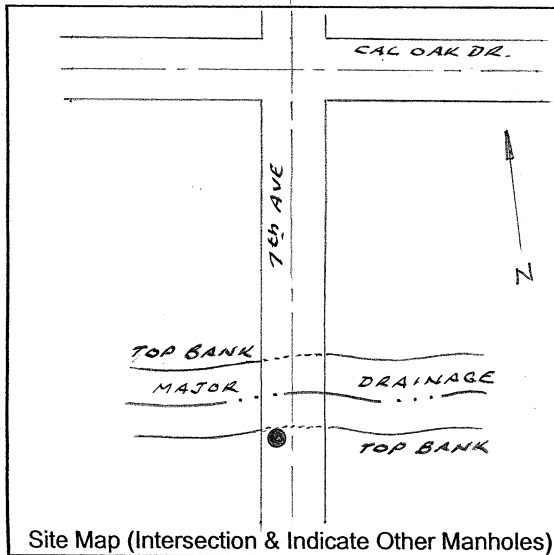
SURVEY INFORMATION DATA SHEET

SANITARY SEWER MASTER PLAN

CITY OF OROVILLE

Date: 6-26-7 2:00 PM

Initials RG JB



Town	Orville			
Manhole Number	SAS 26		RAR 837	
Intersection	-			
Weather	CLEAR, HOT			
Surface Conditions	DRY, SLIGHT FAILURE OF ASPHALT			
Paved/Unpaved	PAVED		AROUND MK	
Features				
Flow Conditions				
Surcharge	Yes / No			
Traffic Conditions	Heavy / Medium / Light / No Traffic			
Manhole Conditions				
Diameters (inches)				
Condition	New / Good / OK / Bad / Deteriorating			
Depth (in feet)				
Infiltration	Yes / No			
Invert Elevation				
Rim Elevation	148.45			
INVERT ELEVATIONS				
DIREC-TION	INVERT ELEV.	ENTERING/ LEAVING	MATERIAL	SIZE OF PIPE (in)
TOP CAP	146.59			

Other Remarks: _____

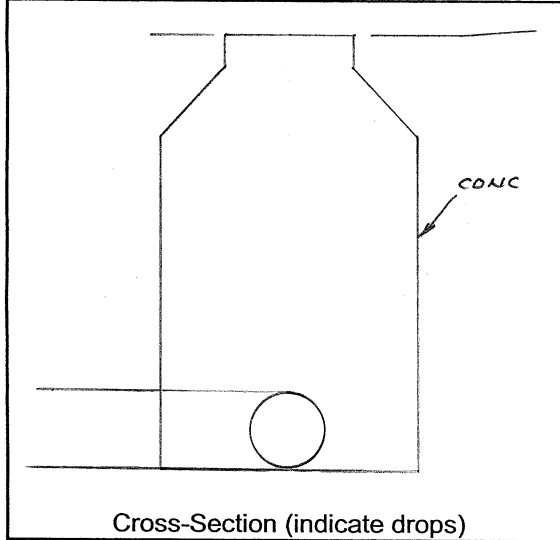
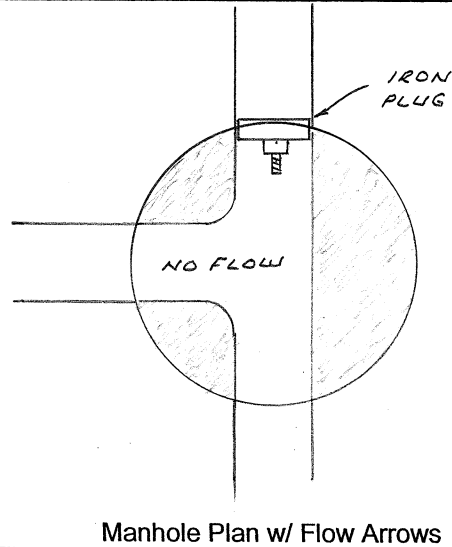
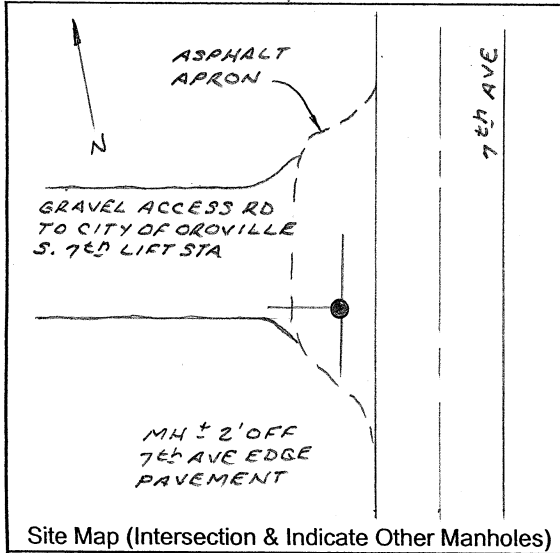
SURVEY INFORMATION DATA SHEET

SANITARY SEWER MASTER PLAN

CITY OF OROVILLE

Date: 6-26-7 2:30 PM

Initials RG JB



Other Site Information

Town	Oroville			
Manhole Number	SAS 27	RAR 838		
Intersection	—			
Weather	CLEAR, HOT			
Surface Conditions	DRY, NORMAL			
Paved/Unpaved	PAVED			
Features				
Flow Conditions	NO FLOW - NORTH INVERT CAPPED			
Surcharge	Yes <input checked="" type="checkbox"/> No			
Traffic Conditions	Heavy / Medium / Light <input checked="" type="checkbox"/> No Traffic			
Manhole Conditions	MANUFACTURED CONC			
Diameters (inches)	48"			
Condition	New <input checked="" type="checkbox"/> Good / OK / Bad / Deteriorating			
Depth (in feet)	8.34'			
Infiltration	Yes <input checked="" type="checkbox"/> No			
Invert Elevation				
Rim Elevation	147.64			
INVERT ELEVATIONS				
DIREC-TION	INVERT ELEV.	ENTERING/ LEAVING	MATERIAL	SIZE OF PIPE (in)
N	139.29	Ø	PVC	10 or 12"
S	139.26	Ø	PVC	12"
W	139.18	Ø	PVC	12"

Other Remarks: _____

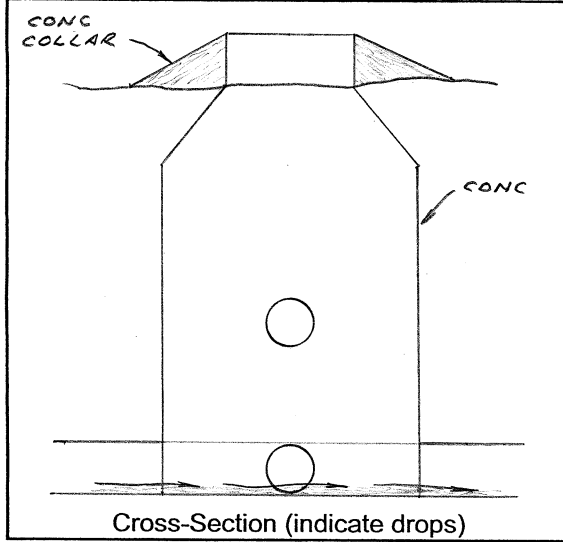
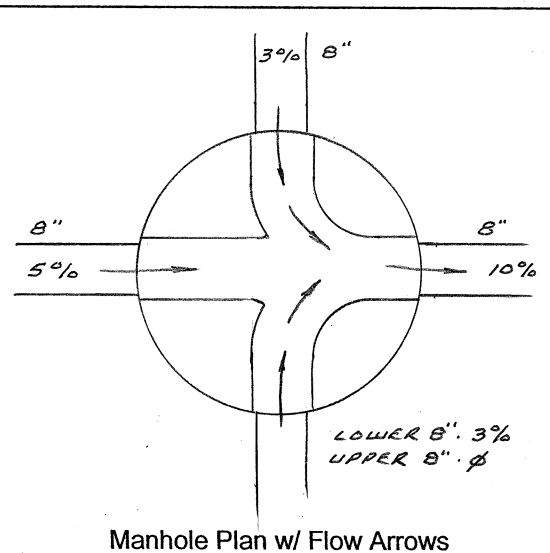
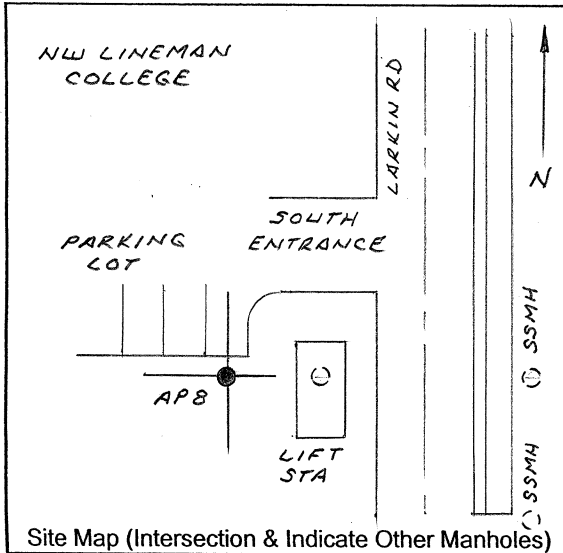
SURVEY INFORMATION DATA SHEET

SANITARY SEWER MASTER PLAN

CITY OF OROVILLE

Date: 6-27-7 8:30 AM

Initials RG JB



Other Site Information

Town	Oroville			
Manhole Number	AP 8	RAR 138		
Intersection	-			
Weather	CLEAR, WARM			
Surface Conditions	DRY, NORMAL			
Paved/Unpaved	UNPAVED			
Features	RIM 30.5' ABOVE EXISTING			
Flow Conditions	LIGHT, STEADY			
Surcharge	Yes <input checked="" type="checkbox"/> No			
Traffic Conditions	Heavy / Medium / Light <input checked="" type="checkbox"/> No Traffic			
Manhole Conditions	MANUFACTURED CONC			
Diameters (inches)	48"			
Condition	<input checked="" type="checkbox"/> New / Good / OK / Bad / Deteriorating			
Depth (in feet)	12.09			
Infiltration	Yes <input checked="" type="checkbox"/> No			
Invert Elevation				
Rim Elevation	186.73			
INVERT ELEVATIONS				
DIRECTION	INVERT ELEV.	ENTERING/ LEAVING	MATERIAL	SIZE OF PIPE (in)
E	174.63	OUT	PVC	8"
S	174.63	IN	PVC	8"
S	179.90±	∅	PVC	8"
W	174.60	IN	PVC	8"
N	174.69	IN	PVC	8"

Other Remarks: _____

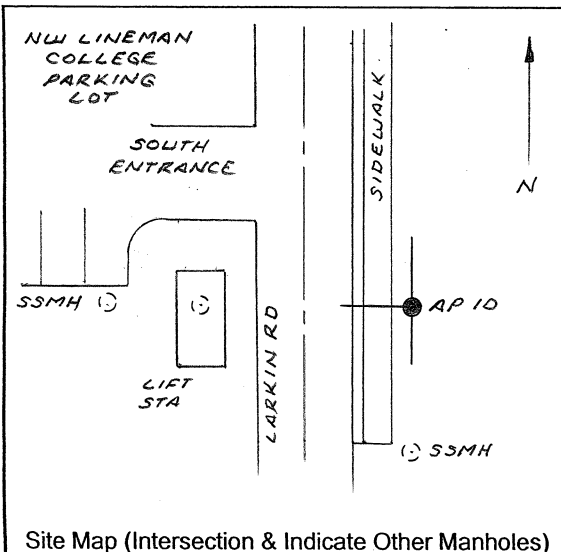
SURVEY INFORMATION DATA SHEET

SANITARY SEWER MASTER PLAN

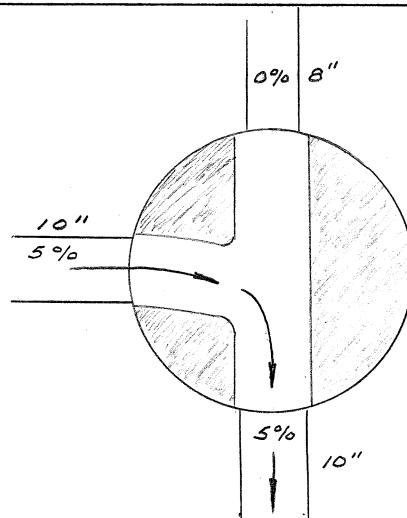
CITY OF OROVILLE

Date: 6-27-7 9:00 AM

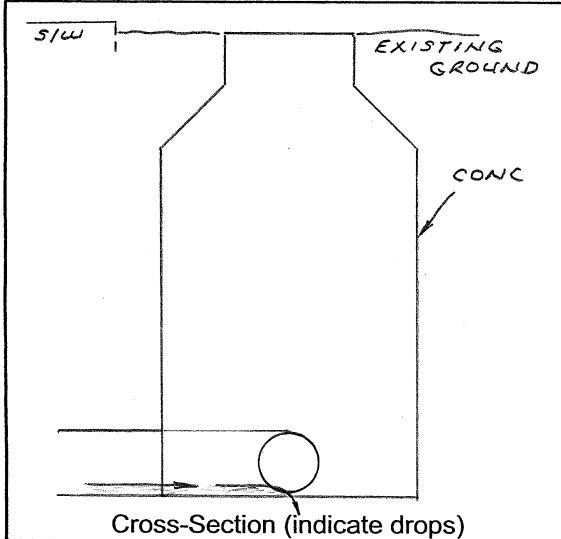
Initials RG JB



Site Map (Intersection & Indicate Other Manholes)



Manhole Plan w/ Flow Arrows



Cross-Section (indicate drops)

Other Site Information

Town	Oroville			
Manhole Number	AP 10	RAR-1363		
Intersection	-			
Weather	CLEAR, WARM			
Surface Conditions	DRY, NORMAL			
Paved/Unpaved	UNPAVED			
Features	± 3' BEHIND SIDEWALK E. SIDE LARKIN RD			
Flow Conditions	LIGHT STEADY			
Surcharge	Yes <input checked="" type="checkbox"/> No			
Traffic Conditions	Heavy / Medium / Light <input checked="" type="checkbox"/> No Traffic			
Manhole Conditions	MANUFACTURED CONC			
Diameters (inches)	48"			
Condition	New <input checked="" type="checkbox"/> Good / OK / Bad / Deteriorating			
Depth (in feet)	14.18'			
Infiltration	Yes <input checked="" type="checkbox"/> No			
Invert Elevation				
Rim Elevation	187.87			
INVERT ELEVATIONS				
DIREC-TION	INVERT ELEV.	ENTERING/ LEAVING	MATERIAL	SIZE OF PIPE (in)
N	173.85	Ø	PVC	8"
S	173.62	OUT	PVC	10"
W	173.66	IN	PVC	10"

Other Remarks: NEWLY TIED-OUT MANHOLE NOT IN INITIAL FILE. NOT VISIBLE FIRST TIME THROUGH. (BURIED)

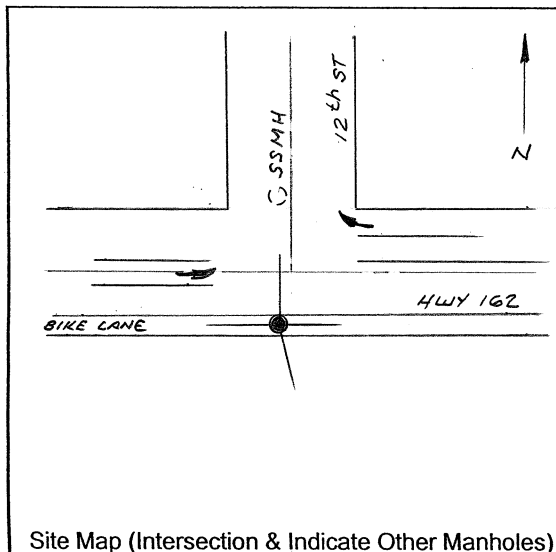
SURVEY INFORMATION DATA SHEET

SANITARY SEWER MASTER PLAN

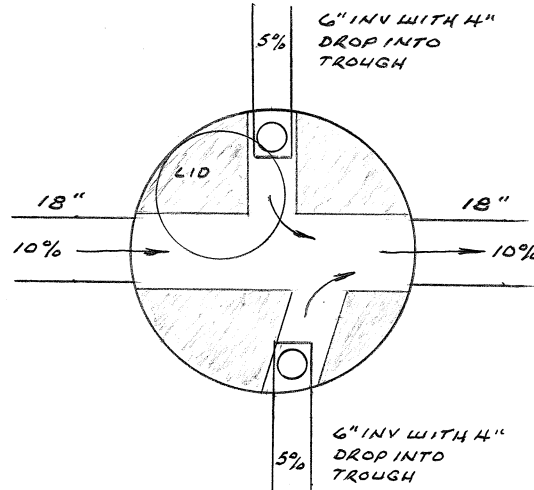
CITY OF OROVILLE

Date: 6-27-7 9:30 AM

Initials RG JB

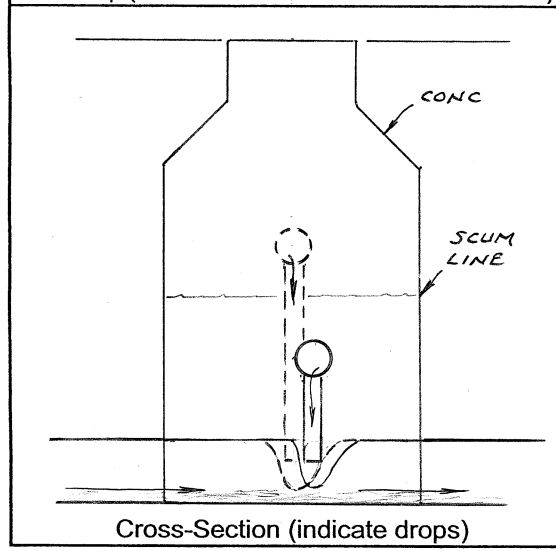


Site Map (Intersection & Indicate Other Manholes)

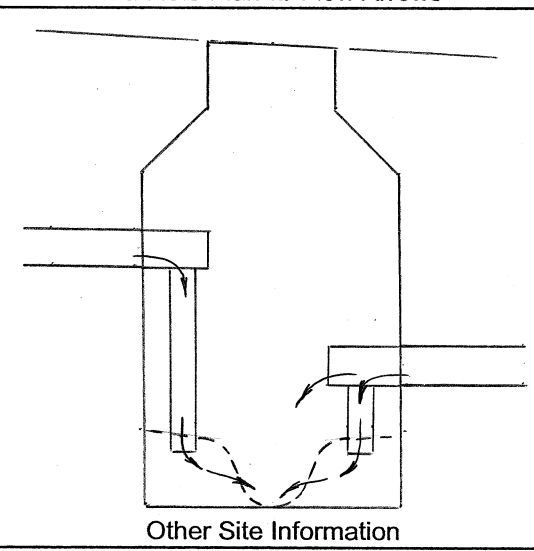


Manhole Plan w/ Flow Arrows

Town	Oroville
Manhole Number	SCOR 12 RAR 151
Intersection	STATE HWY 162 @ 12th ST
Weather	CLEAR, WARM
Surface Conditions	DRY, NORMAL
Paved/Unpaved	PAVED
Features	N. EDGE RIM MH AT BIKE LANE STRIPE S. SIDE HWY 162
Flow Conditions	MAIN - MEDIUM; STEADY
Surcharge	Yes <input checked="" type="checkbox"/> No <input type="checkbox"/> AT PRESENT
Traffic Conditions	<input checked="" type="checkbox"/> Heavy / Medium / Light / No Traffic
Manhole Conditions	MANUFACTURED CONC.
Diameters (inches)	48"
Condition	New <input checked="" type="checkbox"/> Good / OK / Bad / Deteriorating
Depth (in feet)	18.60'
Infiltration	Yes <input checked="" type="checkbox"/> No <input type="checkbox"/>
Invert Elevation	
Rim Elevation	172.79



Cross-Section (indicate drops)
LOOKING NORTH



Other Site Information
LOOKING EAST

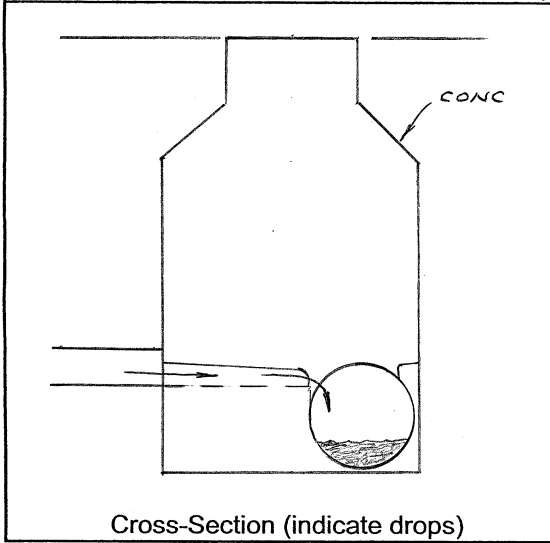
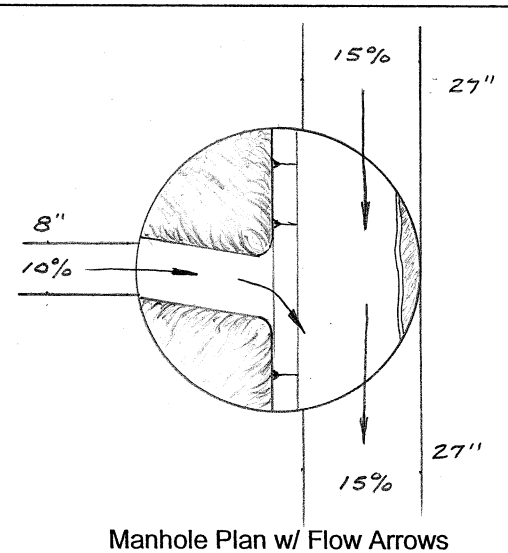
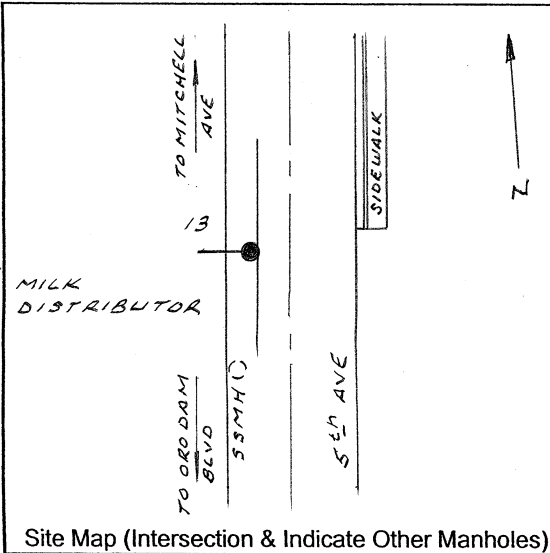
INVERT ELEVATIONS				
DIRE- TION	INVERT ELEV.	ENTERING/ LEAVING	MATERIAL	SIZE OF PIPE (in)
W	154.15	IN	CLAY	18"
E	154.10	OUT	CLAY	18"
N	164.76 ±	IN	PVC	6"
N	155.00 ±	IN	PVC DROP ↓	TROUGH BELOW 4"
S	159.33 ±	IN	PVC	6"
S	155.00 ±	IN	PVC DROP ↓	TROUGH BELOW 4"
SCUM LINE	161.0 ±			

Other Remarks: _____

SURVEY INFORMATION DATA SHEET
SANITARY SEWER MASTER PLAN
CITY OF OROVILLE

Date: 6-27-7 10:15 AM

Initials RG JB



Other Site Information

Town	Oroville			
Manhole Number	13	RAR 648		
Intersection	-			
Weather	CLEAR WARM			
Surface Conditions	DRY, NORMAL			
Paved/Unpaved	PAVED			
Features	RT TIRE S. BOUND LANE 54 th AVE			
Flow Conditions	MODERATE, STEADY			
Surcharge	Yes <input checked="" type="checkbox"/> No			
Traffic Conditions	<input checked="" type="checkbox"/> Heavy / Medium / Light / No Traffic			
Manhole Conditions	MANUFACTURED CONC			
Diameters (inches)	48"			
Condition	New <input checked="" type="checkbox"/> Good / OK / Bad / Deteriorating			
Depth (in feet)	16.12'			
Infiltration	Yes <input checked="" type="checkbox"/> No			
Invert Elevation				
Rim Elevation	157.97			
INVERT ELEVATIONS				
DIREC-TION	INVERT ELEV.	ENTERING/ LEAVING	MATERIAL	SIZE OF PIPE (in)
N	141.80	IN	CLAY	27"
S	141.80	OUT	CLAY	27"
W	143.26	IN	?	8"

Other Remarks: _____

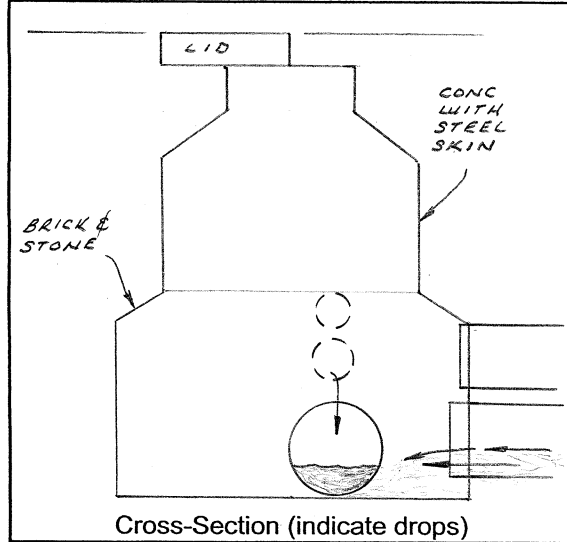
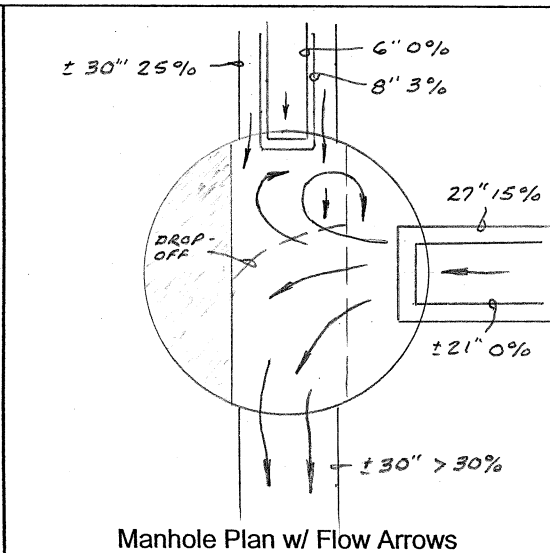
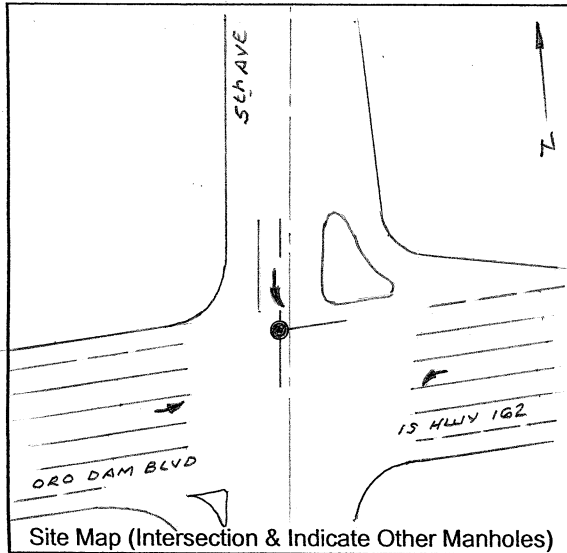
SURVEY INFORMATION DATA SHEET

SANITARY SEWER MASTER PLAN

CITY OF OROVILLE

Date: 6-27-7 11:15 AM

Initials RG JB



Other Site Information

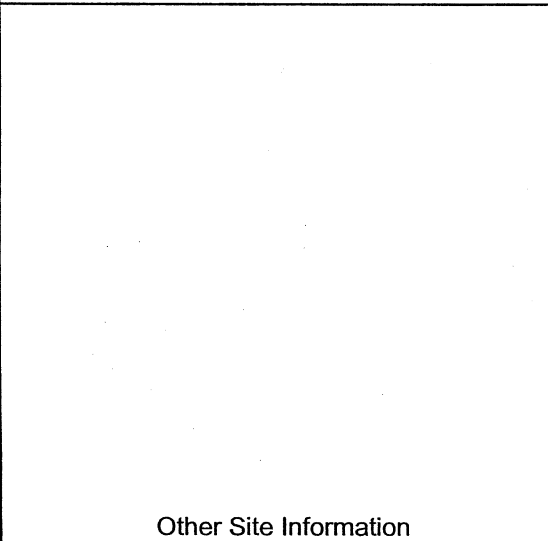
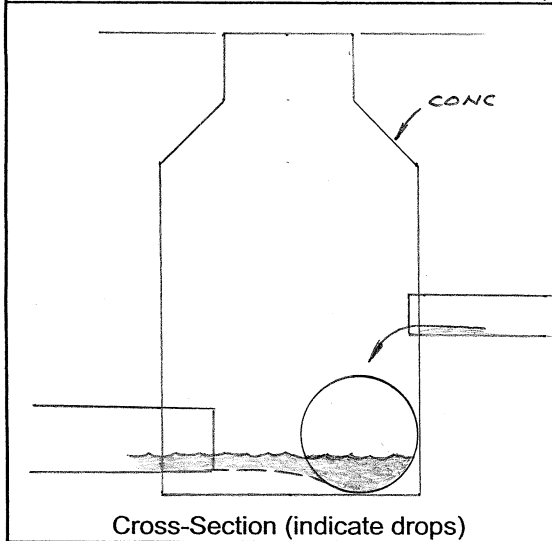
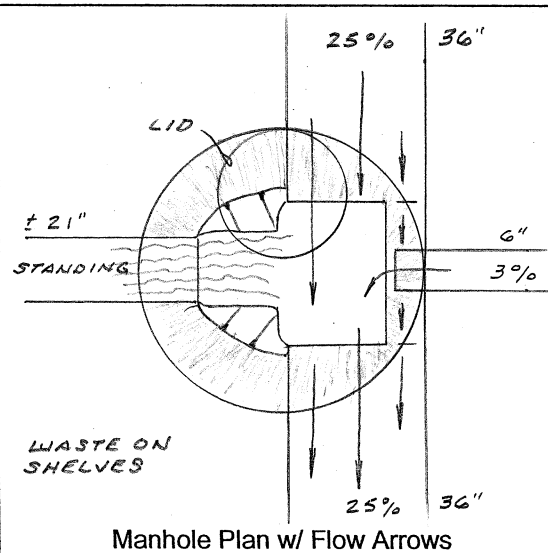
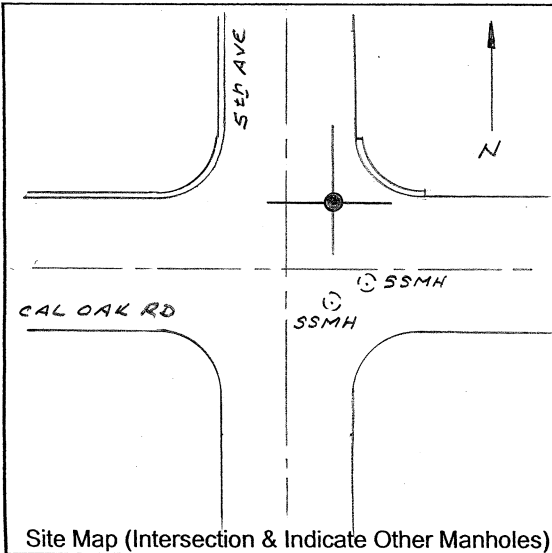
Town	Oroville			
Manhole Number	12	RAR 855		
Intersection	ORO DAM BLD. (ST. HWY 162) & 5 th AVE			
Weather	CLEAR, HOT			
Surface Conditions	DRY, NORMAL			
Paved/Unpaved	PAVED			
Features				
Flow Conditions	HEAVY, FAST			
Surcharge	Yes (No)			
Traffic Conditions	(Heavy) / Medium / Light / No Traffic			
Manhole Conditions	CONC & STEEL TOP; BRICK & STONE BASE			
Diameters (inches)	48" TOP	± 60" BASE		
Condition	New / Good (OK) / Bad / Deteriorating			
Depth (in feet)	16.6'			
Infiltration	Yes / No WHO KNOWS			
Invert Elevation				
Rim Elevation	157.52			
INVERT ELEVATIONS				
DIREC-TION	INVERT ELEV.	ENTERING/ LEAVING	MATERIAL	SIZE OF PIPE (in)
E	146.00	Ø	?	21"
E	141.82	IN	?	27"
S	140.92	OUT	?	± 30"
N	141.33	IN	?	± 30"
N	144.61±	IN	PVC	8"
N	146.71	Ø	?	6"

Other Remarks: OBSERVATION TIME LIMITED DUE TO TRAFFIC & OTHER FACTORS. PER CAL TRANS EMPLOYEE - STEEL UPPER PORTION INSTALLED IN EARLY '90's BY CHICAGO FIRM. DETERMINED BASE TO DIFFICULT TO WORK ON.

SURVEY INFORMATION DATA SHEET
SANITARY SEWER MASTER PLAN
CITY OF OROVILLE

Date: 6-27-7 1:00 PM

Initials RG JB



Town	Oroville			
Manhole Number	SCOR 7	RAR 1100		
Intersection	5th Ave & Cal Oak Rd			
Weather	CLEAR, HOT			
Surface Conditions	DRY, NORMAL			
Paved/Unpaved	PAVED			
Features	RT. EDGE N. BOUND LANE 5th AVE			
Flow Conditions	MODERATE, STEADY			
Surcharge	Yes <input checked="" type="checkbox"/> No			
Traffic Conditions	Heavy <input checked="" type="checkbox"/> Medium / Light / No Traffic			
Manhole Conditions	MANUFACTURED CONC.			
Diameters (inches)	60"			
Condition	New <input checked="" type="checkbox"/> Good / OK / Bad / Deteriorating			
Depth (in feet)	14.8'			
Infiltration	Yes <input checked="" type="checkbox"/> No			
Invert Elevation				
Rim Elevation	153.77			
INVERT ELEVATIONS				
DIREC-TION	INVERT ELEV.	ENTERING/ LEAVING	MATERIAL	SIZE OF PIPE (in)
N	138.96	IN	?	± 36"
E	143.15	IN	PVC	6"
S	138.94	OUT	?	± 36"
W	139.73	Ø	CLAY	± 21"

Other Remarks: _____

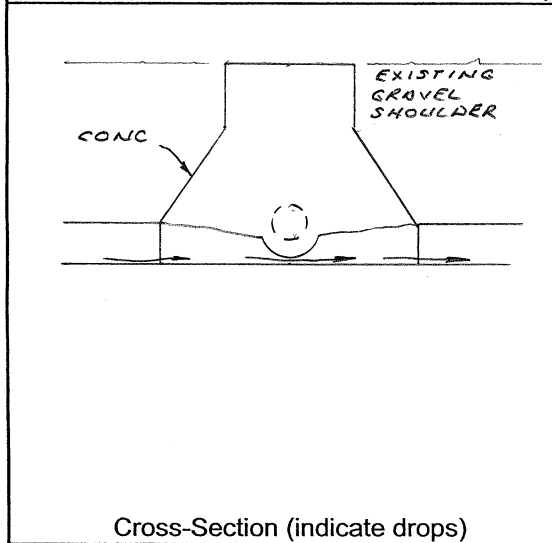
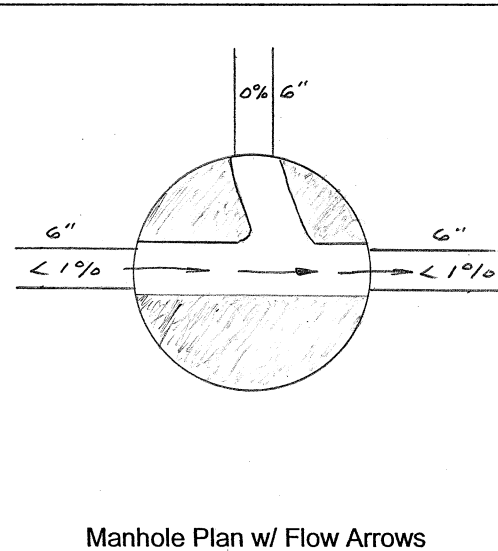
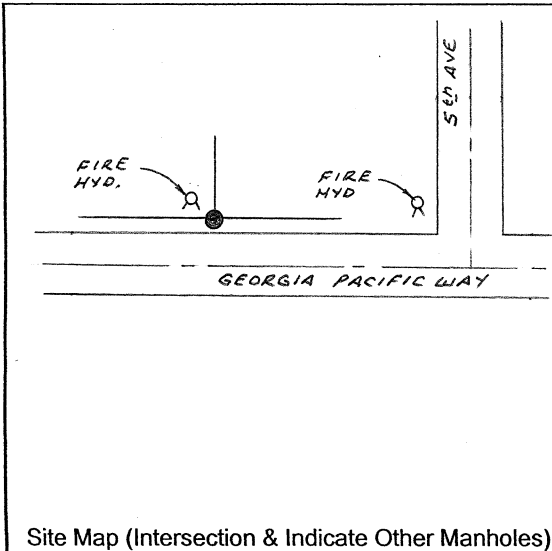
SURVEY INFORMATION DATA SHEET

SANITARY SEWER MASTER PLAN

CITY OF OROVILLE

Date: 6-27-7 1:45 PM

Initials RG JB



Other Site Information

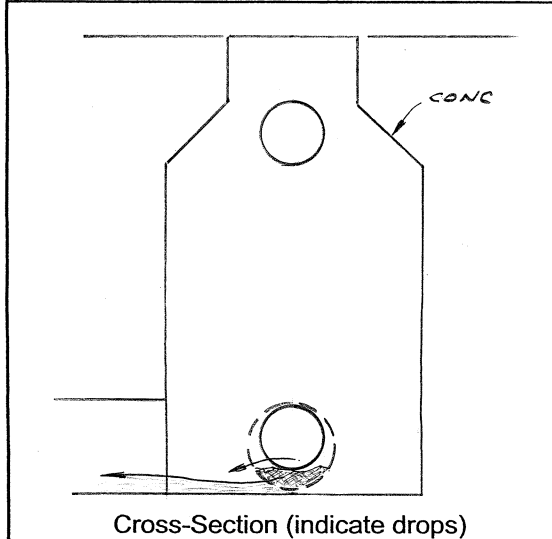
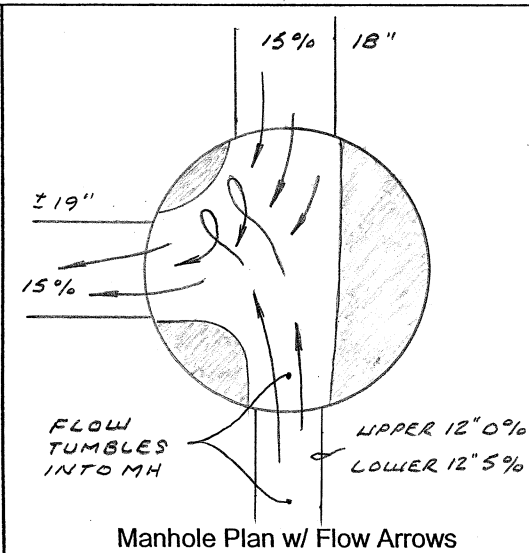
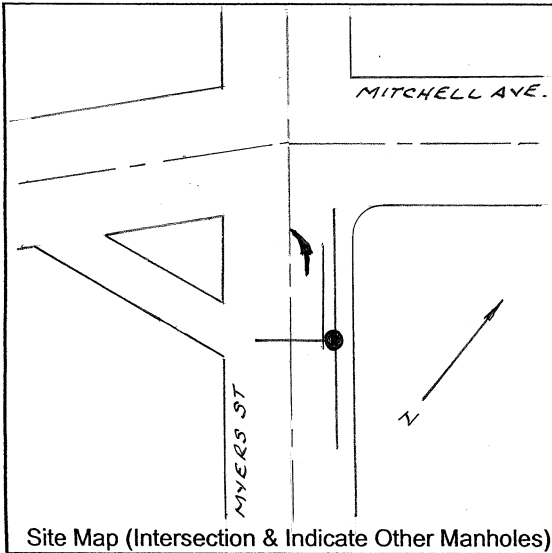
Town	Oroville			
Manhole Number	1 MA	RAR 883		
Intersection	± 300' W. OF 5 th AVE N. SIDE GEORGIA PACIFIC WAY			
Weather	CLEAR, HOT			
Surface Conditions	DRY, NORMAL			
Paved/Unpaved	UNPAVED			
Features	1' NORTH OF EDGE OF PAVEMENT			
Flow Conditions	LIGHT, TRICKLE			
Surcharge	Yes <input checked="" type="checkbox"/> No			
Traffic Conditions	Heavy / Medium / Light <input checked="" type="checkbox"/> No Traffic			
Manhole Conditions	MANUFACTURED CONC.			
Diameters (inches)	± 42"			
Condition	New <input checked="" type="checkbox"/> Good <input type="checkbox"/> OK / Bad / Deteriorating			
Depth (in feet)	2.75'			
Infiltration	Yes <input checked="" type="checkbox"/> No			
Invert Elevation				
Rim Elevation	155.56			
INVERT ELEVATIONS				
DIREC-TION	INVERT ELEV.	ENTERING/ LEAVING	MATERIAL	SIZE OF PIPE (in)
N	152.83	∅	PVC	6"
E	152.79	OUT	PVC	6"
W	152.80	IN	PVC	6"

Other Remarks: _____

SURVEY INFORMATION DATA SHEET
SANITARY SEWER MASTER PLAN
CITY OF OROVILLE

Date: 6-27-7 2:20 PM

Initials RG, JB



LOWER 12" INVERT IN APPEARS TO BE INSIDE A LARGER, OLDER PIPE

Other Site Information

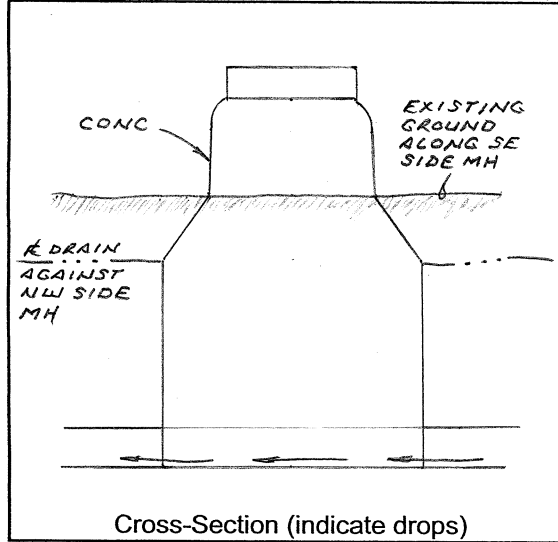
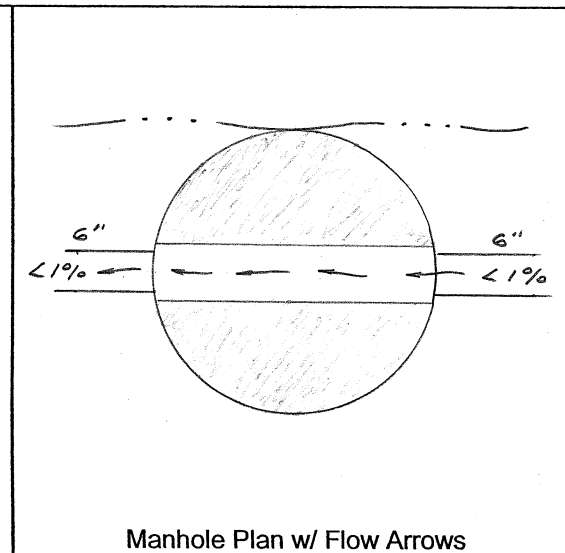
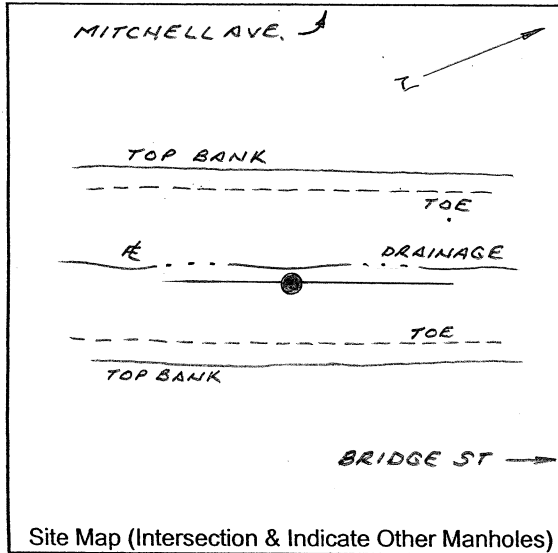
Town	Oroville			
Manhole Number	69 RAR 105B			
Intersection	MYERS ST & MITCHELL AVE.			
Weather	CLR, HOT			
Surface Conditions	DRY, NORMAL			
Paved/Unpaved	PAVED			
Features				
Flow Conditions	MODERATE, SWIFT			
Surcharge	Yes <input checked="" type="checkbox"/> No			
Traffic Conditions	<input checked="" type="checkbox"/> Heavy / Medium / Light / No Traffic			
Manhole Conditions	MANUFACTURED CONC			
Diameters (inches)	48"			
Condition	New <input checked="" type="checkbox"/> Good / OK / Bad / Deteriorating			
Depth (in feet)	10.0'			
Infiltration	Yes <input checked="" type="checkbox"/> No			
Invert Elevation				
Rim Elevation	206.95			
INVERT ELEVATIONS				
DIREC-TION	INVERT ELEV.	ENTERING/ LEAVING	MATERIAL	SIZE OF PIPE (in)
NW	196.99	IN	?	18"
SE	197.42	IN	CLAY	12"
SE	203.49±	Ø	IRON	12"
SW	196.94	OUT	?	19"

Other Remarks: _____

SURVEY INFORMATION DATA SHEET
SANITARY SEWER MASTER PLAN
CITY OF OROVILLE

Date: 6-27-7 2:50 PM

Initials RG JB



Other Site Information

Town	Oroville			
Manhole Number	90A	RAR 895		
Intersection	—			
Weather	CLEAR, HOT			
Surface Conditions	N EDGE 3.5' ABOVE & DRAINAGE S EDGE 1.5' ABOVE BANK			
Paved/Unpaved	UNPAVED			
Features	& DRAINAGE			
Flow Conditions	CLEAR TRICKLE			
Surcharge	Yes <input checked="" type="checkbox"/> No			
Traffic Conditions	Heavy / Medium / Light <input checked="" type="checkbox"/> No Traffic			
Manhole Conditions	MANUFACTURED CONC.			
Diameters (inches)	48"			
Condition	New <input checked="" type="checkbox"/> Good / OK / Bad / Deteriorating			
Depth (in feet)	5.12'			
Infiltration	Yes <input checked="" type="checkbox"/> No ALTHOUGH FLOW IS CLEAR			
Invert Elevation				
Rim Elevation	230.44			
INVERT ELEVATIONS				
DIREC-TION	INVERT ELEV.	ENTERING/ LEAVING	MATERIAL	SIZE OF PIPE (in)
N NE	225.32	IN	CLAY	6"
W SW	225.30	OUT	CLAY	6"

Other Remarks: _____

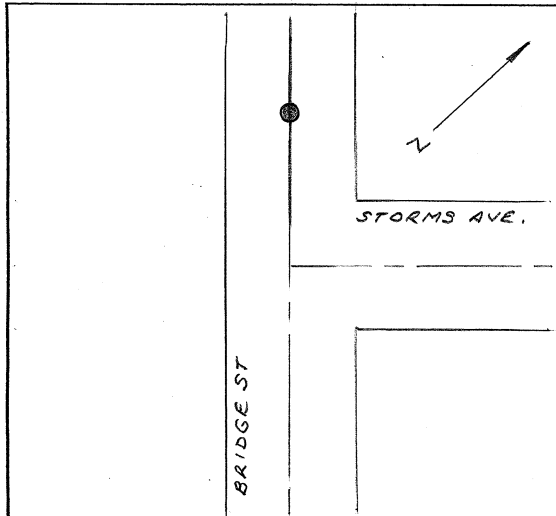
SURVEY INFORMATION DATA SHEET

SANITARY SEWER MASTER PLAN

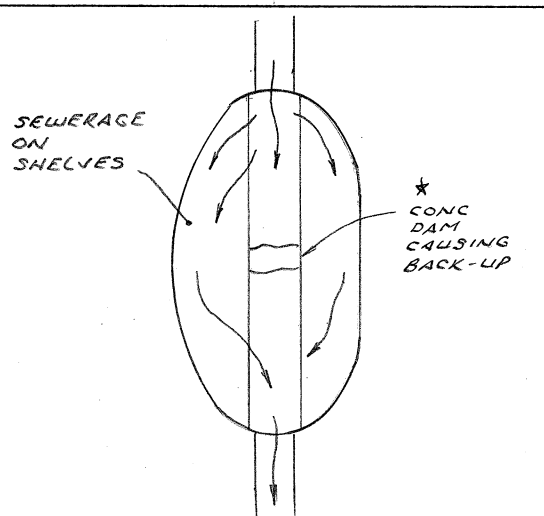
CITY OF OROVILLE

Date: 6-27-7 3:15 PM

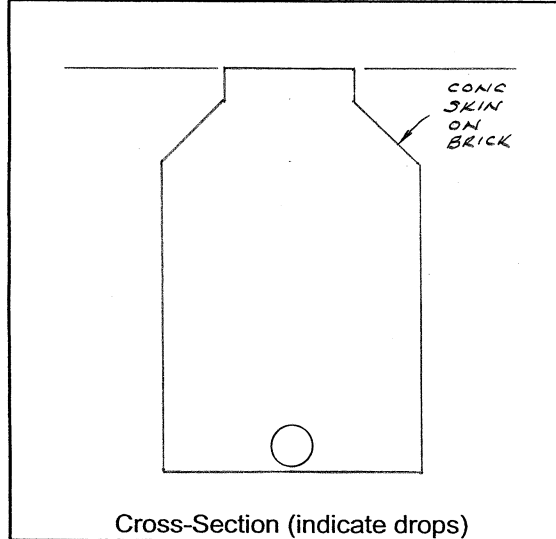
Initials RG JB



Site Map (Intersection & Indicate Other Manholes)



Manhole Plan w/ Flow Arrows



Cross-Section (indicate drops)

Other Site Information

Town	Oroville			
Manhole Number	FF2 RAR 891			
Intersection	± 60' N OF STORMS AVE AT E BRIDGE ST			
Weather	CLEAR, HOT			
Surface Conditions	DRY, NORMAL			
Paved/Unpaved	PAVED			
Features				
Flow Conditions	LIGHT - STEADY			
Surcharge	Yes (No) *			
Traffic Conditions	Heavy / Medium (Light) / No Traffic			
Manhole Conditions	CUSTOM BRICK WITH CONC. SKIN			
Diameters (inches)	2.5' WIDE x 3.0 LONG †			
Condition	New / Good (OK) / Bad / Deteriorating			
Depth (in feet)	6.85'			
Infiltration	Yes / No CAN'T TELL			
Invert Elevation				
Rim Elevation	252.90			
INVERT ELEVATIONS				
DIREC-TION	INVERT ELEV.	ENTERING/ LEAVING	MATERIAL	SIZE OF PIPE (in)
NW	246.04	IN	CLAY	6"
SE	246.05	OUT	CLAY	6"

Other Remarks: _____

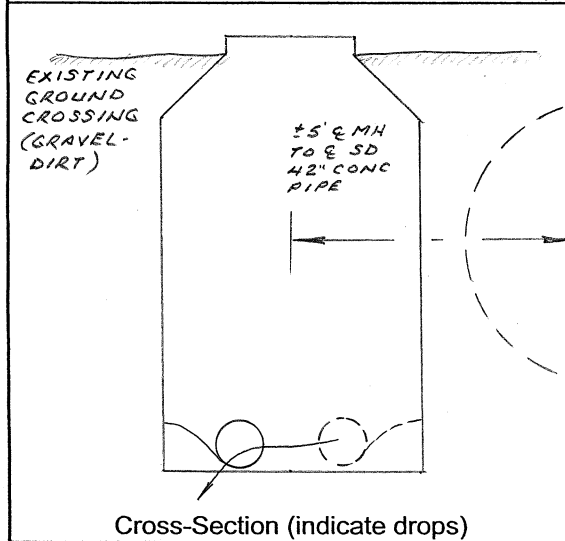
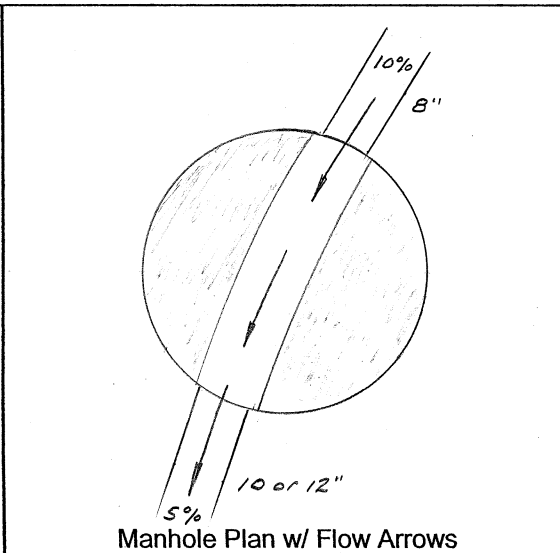
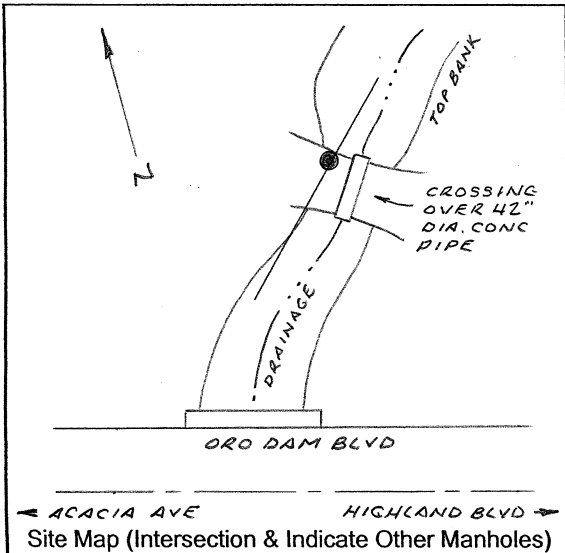
SURVEY INFORMATION DATA SHEET

SANITARY SEWER MASTER PLAN

CITY OF OROVILLE

Date: 6-28-7 8:30 AM

Initials RG JB



Other Site Information

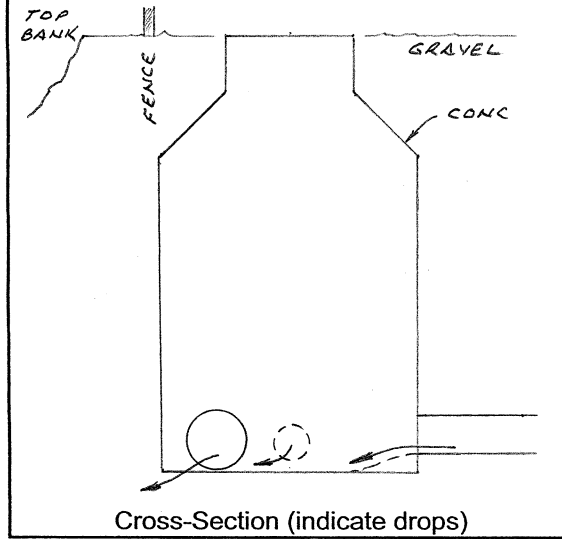
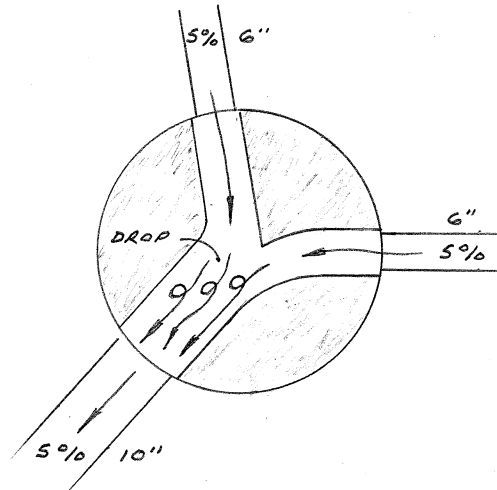
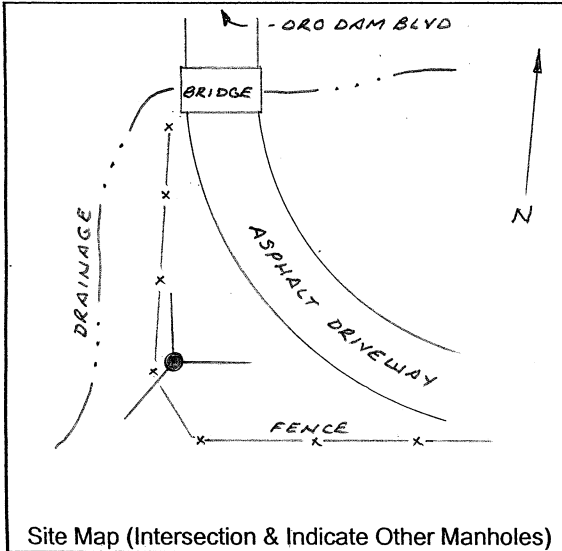
Town	Oroville			
Manhole Number	KK 31	RAR 976		
Intersection				
Weather	CLEAR, WARM			
Surface Conditions	DRY - AS SHOWN			
Paved/Unpaved	UNPAVED			
Features	AT N TOP CROSSING			
Flow Conditions	STEADY, FAST			
Surcharge	Yes <input checked="" type="checkbox"/> No			
Traffic Conditions	Heavy / Medium / Light <input checked="" type="checkbox"/> No Traffic			
Manhole Conditions	MANUFACTURED CONC			
Diameters (inches)	48"			
Condition	New <input checked="" type="checkbox"/> Good / OK / Bad / Deteriorating			
Depth (in feet)	8.05'			
Infiltration	Yes <input checked="" type="checkbox"/> No			
Invert Elevation				
Rim Elevation	305.84			
INVERT ELEVATIONS				
DIRECTION	INVERT ELEV.	ENTERING/ LEAVING	MATERIAL	SIZE OF PIPE (in)
NE	297.84	IN	PVC	8"
SW	297.66	OUT	CLAY	10 or 12"

Other Remarks: _____

SURVEY INFORMATION DATA SHEET
SANITARY SEWER MASTER PLAN
CITY OF OROVILLE

Date: 6-28-7 8:50 AM

Initials RG JB



Other Site Information

Town	Oroville			
Manhole Number	JJ 22	RAR 967		
Intersection	-			
Weather	CLEAR, WARM			
Surface Conditions	DRY, NORMAL			
Paved/Unpaved	UNPAVED, GRAVEL FLUSH WITH RIM			
Features	SW COR. PLEASANT VALLEY TRAILER PARK			
Flow Conditions	LIGHT - FAST			
Surcharge	Yes <input checked="" type="checkbox"/> No			
Traffic Conditions	Heavy / Medium / Light / <input checked="" type="checkbox"/> No Traffic			
Manhole Conditions	MANUFACTURED CONC			
Diameters (inches)	48"			
Condition	New <input checked="" type="checkbox"/> Good OK / Bad / Deteriorating			
Depth (in feet)	7.25'			
Infiltration	Yes <input checked="" type="checkbox"/> No			
Invert Elevation				
Rim Elevation	271.33			
INVERT ELEVATIONS				
DIREC-TION	INVERT ELEV.	ENTERING/ LEAVING	MATERIAL	SIZE OF PIPE (in)
N	264.09	IN	PVC	6"
E	264.15	IN	PVC	6"
SW	263.88	OUT	PVC	10"

Other Remarks: _____

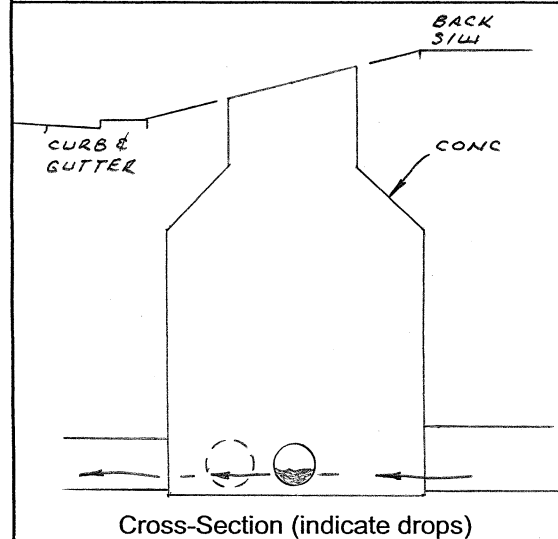
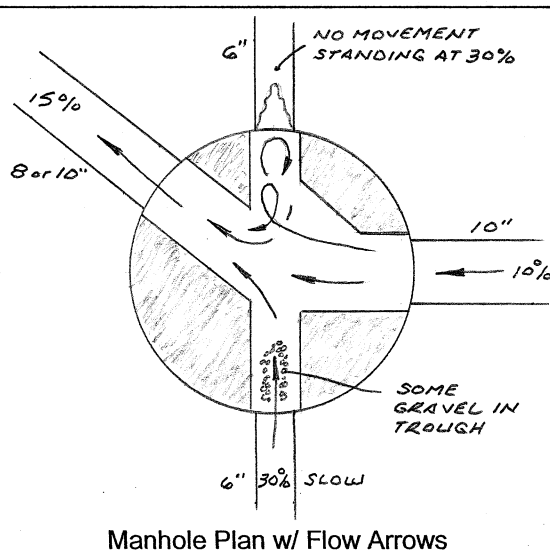
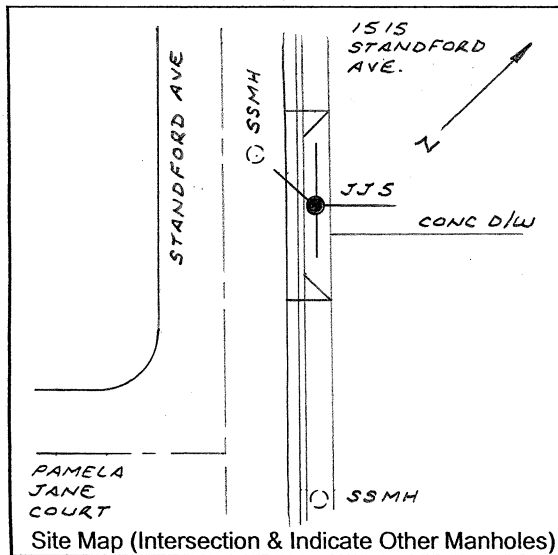
SURVEY INFORMATION DATA SHEET

SANITARY SEWER MASTER PLAN

CITY OF OROVILLE

Date: 6-28-7 9:10 AM

Initials RG JB



Other Site Information

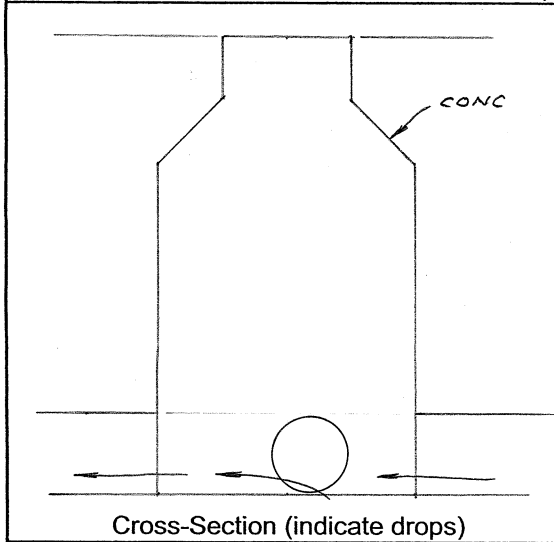
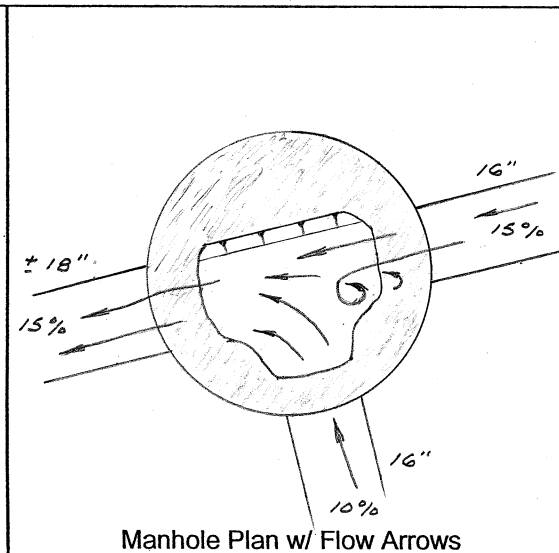
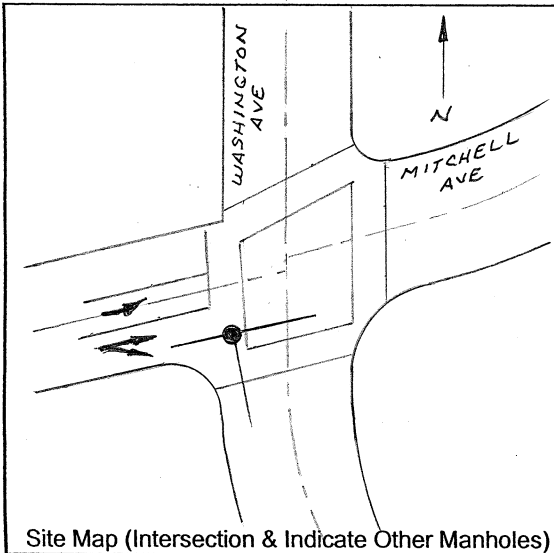
Town	Oroville			
Manhole Number	JJS	RAR 553		
Intersection	-			
Weather	CLEAR, WARM			
Surface Conditions	DRY, NORMAL			
Paved/Unpaved	CONC			
Features	IN SIDEWALK/DRIVEWAY			
Flow Conditions	MEDIUM - STEADY			
Surcharge	Yes <input type="checkbox"/> No <input checked="" type="checkbox"/>			
Traffic Conditions	Heavy / Medium / Light <input checked="" type="checkbox"/> No Traffic <input type="checkbox"/>			
Manhole Conditions	MANUFACTURED CONC			
Diameters (inches)	± 42"			
Condition	New <input checked="" type="checkbox"/> Good <input type="checkbox"/> OK / Bad / Deteriorating			
Depth (in feet)	5.31			
Infiltration	Yes <input type="checkbox"/> No <input checked="" type="checkbox"/>			
Invert Elevation				
Rim Elevation	268.82			
INVERT ELEVATIONS				
DIREC-TION	INVERT ELEV.	ENTERING/ LEAVING	MATERIAL	SIZE OF PIPE (in)
NE	263.41	IN	PVC	10"
SE	263.46	IN	PVC	6"
W	263.48	OUT	PVC	8 or 10"
NW	263.33	Ø	PVC	6"

Other Remarks: _____

SURVEY INFORMATION DATA SHEET
SANITARY SEWER MASTER PLAN
CITY OF OROVILLE

Date: 6-28-7 10:00 AM

Initials RG JB



Other Site Information

Town	Orville			
Manhole Number	75	RAR 1035		
Intersection	MITCHELL AVE & WASHINGTON AVE			
Weather	CLEAR, WARM			
Surface Conditions	DRY, NORMAL			
Paved/Unpaved	PAVED			
Features	RT TIRE EAST BOUND MITCHELL			
Flow Conditions	MEDIUM - FAST			
Surcharge	Yes <input checked="" type="checkbox"/> No			
Traffic Conditions	<input checked="" type="checkbox"/> Heavy / Medium / Light / No Traffic			
Manhole Conditions	MANUFACTURED CONC			
Diameters (inches)	48"			
Condition	New <input checked="" type="checkbox"/> Good / OK / Bad / Deteriorating			
Depth (in feet)	10.45'			
Infiltration	Yes <input checked="" type="checkbox"/> No			
Invert Elevation				
Rim Elevation	236.56			
INVERT ELEVATIONS				
DIRE- TION	INVERT ELEV.	ENTERING/ LEAVING	MATERIAL	SIZE OF PIPE (in)
E	226.16	IN	CLAY	16"
S	226.21	IN	?	16"
W	226.07	OUT	CLAY	± 18"

Other Remarks: _____

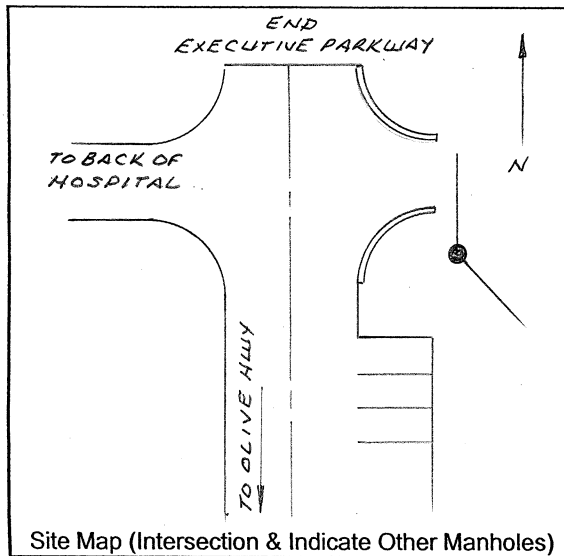
SURVEY INFORMATION DATA SHEET

SANITARY SEWER MASTER PLAN

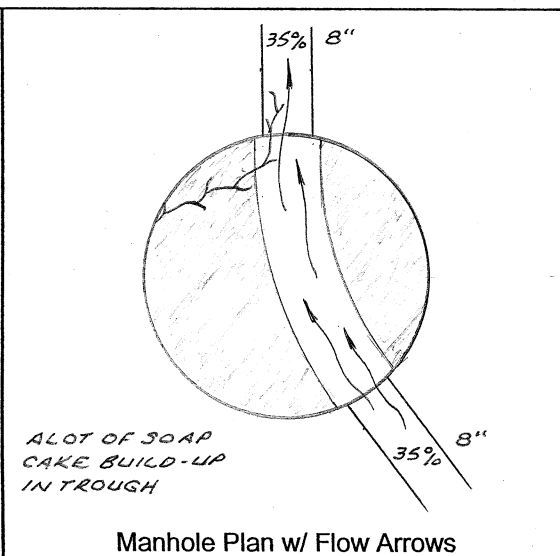
CITY OF OROVILLE

Date: 6-28-7 10:45 AM

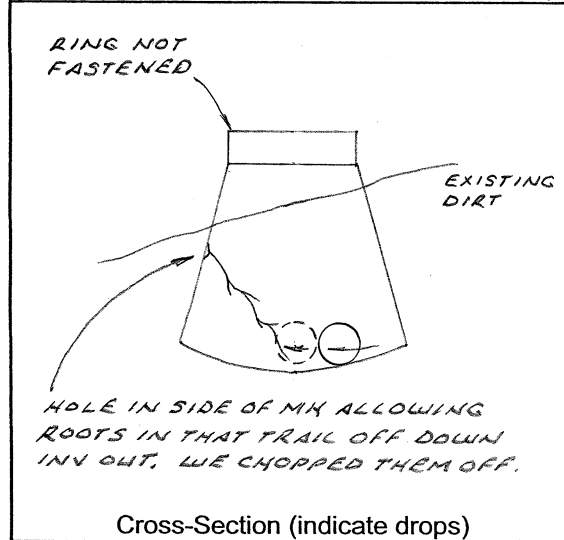
Initials RG JB



Site Map (Intersection & Indicate Other Manholes)



Manhole Plan w/ Flow Arrows



Cross-Section (indicate drops)

Other Site Information

Town	Oroville			
Manhole Number	HH 1A	RAR 1313		
Intersection	N. END EXECUTIVE PARKWAY			
Weather	CLEAR, WARM			
Surface Conditions	DRY			
Paved/Unpaved	UNPAVED			
Features	AT EDGE OF PLANTER			
Flow Conditions	MEDIUM - QUICK			
Surcharge	Yes <input type="checkbox"/> No <input checked="" type="checkbox"/>			
Traffic Conditions	Heavy / Medium / Light <input checked="" type="checkbox"/> No Traffic <input type="checkbox"/>			
Manhole Conditions	MANUFACTURED CONC			
Diameters (inches)	± 42"			
Condition	New <input checked="" type="checkbox"/> Good <input type="checkbox"/> OK / Bad / Deteriorating			
Depth (in feet)	3.88'			
Infiltration	Yes <input type="checkbox"/> No <input checked="" type="checkbox"/> EXCEPT FOR ROOT			
Invert Elevation				
Rim Elevation	285.31			
INVERT ELEVATIONS				
DIREC-TION	INVERT ELEV.	ENTERING/ LEAVING	MATERIAL <i>THIN WHITE</i>	SIZE OF PIPE (in)
SE	281.43	IN	PVC	8"
N	281.46	OUT	PVC	8"

Other Remarks: _____

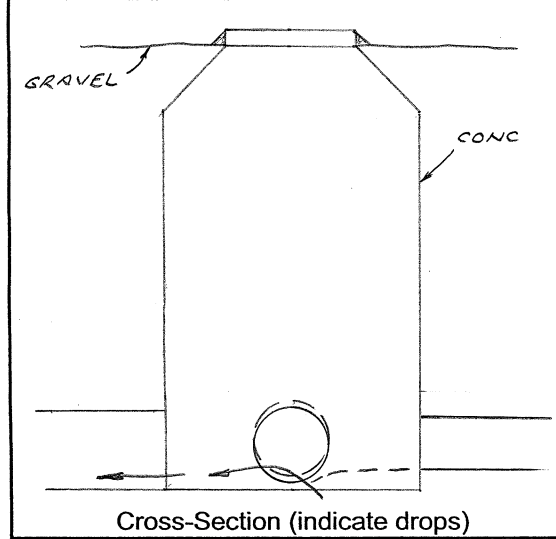
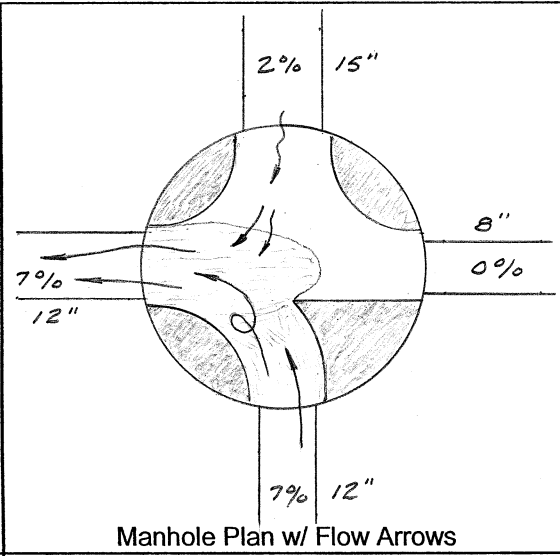
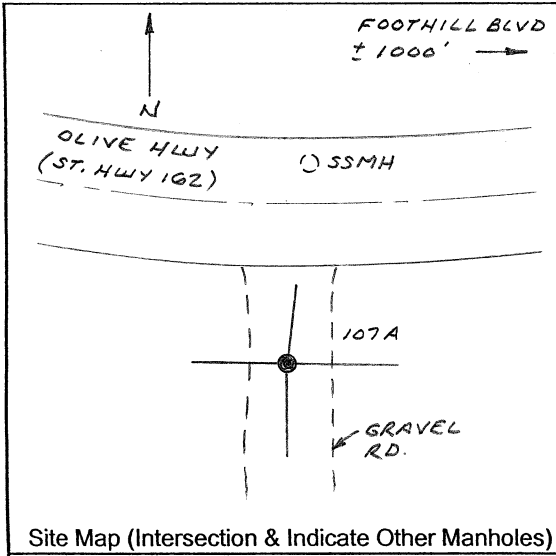
SURVEY INFORMATION DATA SHEET

SANITARY SEWER MASTER PLAN

CITY OF OROVILLE

Date: 6-28-7 11:10 AM

Initials RG JB



Other Site Information

Town	Oroville			
Manhole Number	107A	RAR 1327		
Intersection	-			
Weather	CLEAR, WARM			
Surface Conditions	DRY, NORMAL			
Paved/Unpaved	UNPAVED - GRAVEL			
Features	LID ±0.2' ABOVE GRAVEL			
Flow Conditions	MEDIUM - STEADY			
Surcharge	Yes <input checked="" type="checkbox"/> No			
Traffic Conditions	Heavy / Medium / Light / <input checked="" type="checkbox"/> No Traffic			
Manhole Conditions	MANUFACTURED CONC			
Diameters (inches)	48"			
Condition	New <input checked="" type="checkbox"/> Good / OK / Bad / Deteriorating			
Depth (in feet)	16.71'			
Infiltration	Yes <input checked="" type="checkbox"/> No			
Invert Elevation				
Rim Elevation	273.15			
INVERT ELEVATIONS				
DIREC-TION	INVERT ELEV.	ENTERING/ LEAVING	MATERIAL	SIZE OF PIPE (in)
N	256.64	IN	CLAY	15"
E	256.76	Ø	CLAY	8"
S	256.39	IN	CLAY	12"
LU	256.35	OUT	CLAY	12"

Other Remarks: _____

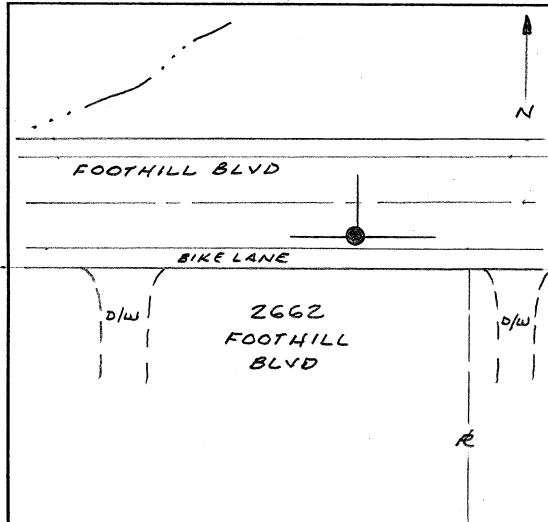
SURVEY INFORMATION DATA SHEET

SANITARY SEWER MASTER PLAN

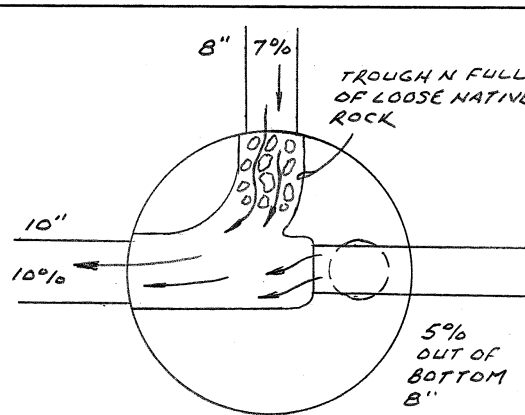
CITY OF OROVILLE

Date: 6-28-7 1:00 PM

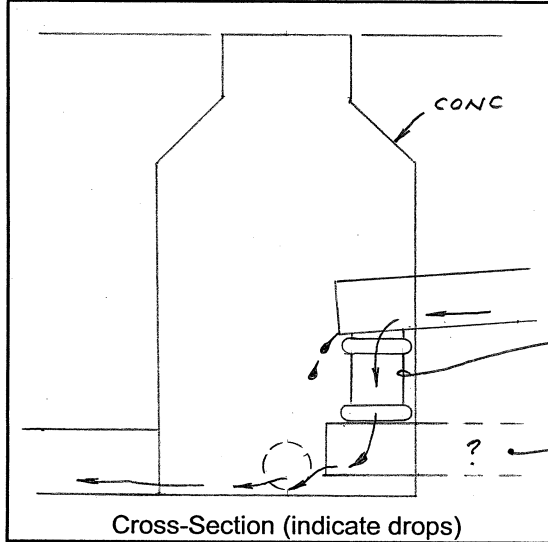
Initials RG JB



Site Map (Intersection & Indicate Other Manholes)



Manhole Plan w/ Flow Arrows



Cross-Section (indicate drops)

Other Site Information

COLLARS ON DROP MAKE VIEWING LOWER 8" INV TOO DIFFICULT. DON'T KNOW IF LOWER 8" HAS IT'S OWN FLOW

Town	Oroville			
Manhole Number	MM 2	RAR 1190		
Intersection	FOOTHILL BLVD			
Weather	CLEAR, WARM			
Surface Conditions	DRY, NORMAL			
Paved/Unpaved	PAVED			
Features	RT TIRE EAST BOUND FOOTHILL			
Flow Conditions	LIGHT, STEADY			
Surcharge	Yes (No)			
Traffic Conditions	Heavy (Medium) / Light / No Traffic			
Manhole Conditions	MANUFACTURED CONC			
Diameters (inches)	48"			
Condition	New (Good) / OK / Bad / Deteriorating			
Depth (in feet)	9.90			
Infiltration	Yes (No)			
Invert Elevation				
Rim Elevation	313.58			
INVERT ELEVATIONS				
DIREC-TION	INVERT ELEV.	ENTERING/ LEAVING	MATERIAL	SIZE OF PIPE (in)
N	303.64±	IN	CLAY	8"
E	307.36±	IN BUT Ø	CLAY DROP	8"
E	303.95	IN	CLAY	8"
W	303.67	OUT	CLAY	10"

Other Remarks: _____

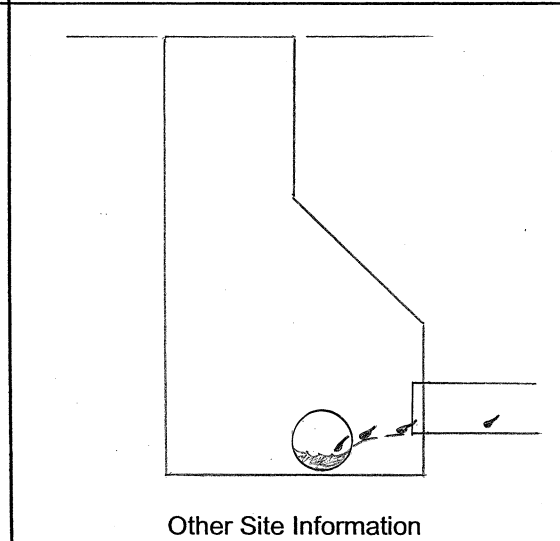
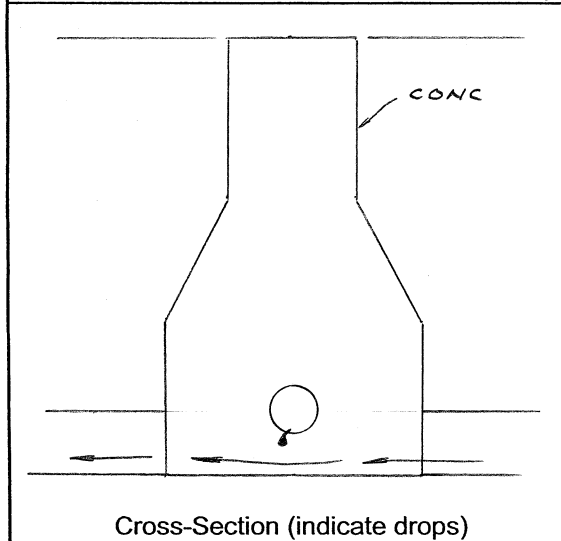
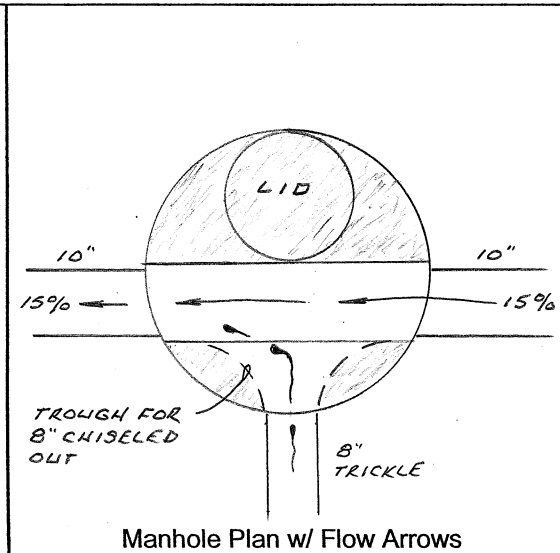
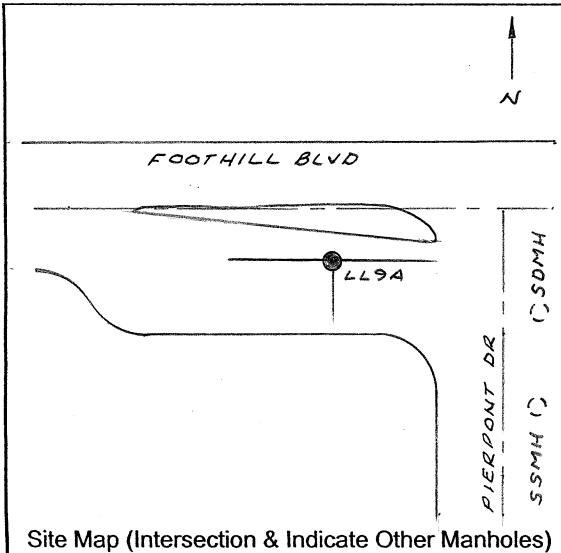
SURVEY INFORMATION DATA SHEET

SANITARY SEWER MASTER PLAN

CITY OF OROVILLE

Date: 6-28-7 1:40 PM

Initials RG JB



Town	Oroville			
Manhole Number	LL9A	RAR 1222		
Intersection	JUST WEST OF FOOTHILL BLVD & PIERPONT DR.			
Weather	CLEAR, WARM			
Surface Conditions	DRY, NORMAL			
Paved/Unpaved	PAVED			
Features				
Flow Conditions	MEDIUM FAST			
Surcharge	Yes <input type="checkbox"/> No <input checked="" type="checkbox"/>			
Traffic Conditions	Heavy <input type="checkbox"/> Medium <input checked="" type="checkbox"/> Light <input type="checkbox"/> No Traffic <input type="checkbox"/>			
Manhole Conditions	MANUFACTURED CONC.			
Diameters (inches)	48"			
Condition	New <input checked="" type="checkbox"/> Good <input type="checkbox"/> OK <input type="checkbox"/> Bad <input type="checkbox"/> Deteriorating <input type="checkbox"/>			
Depth (in feet)	± 7.6'			
Infiltration	Yes <input type="checkbox"/> No <input checked="" type="checkbox"/>			
Invert Elevation				
Rim Elevation	303.59			
INVERT ELEVATIONS				
DIREC-TION	INVERT ELEV.	ENTERING/ LEAVING	MATERIAL	SIZE OF PIPE (in)
E	296.03±	IN	CLAY	10"
S	296.36±	IN	PVC	8"
W	296.03±	OUT	CLAY	10"

Other Remarks: _____

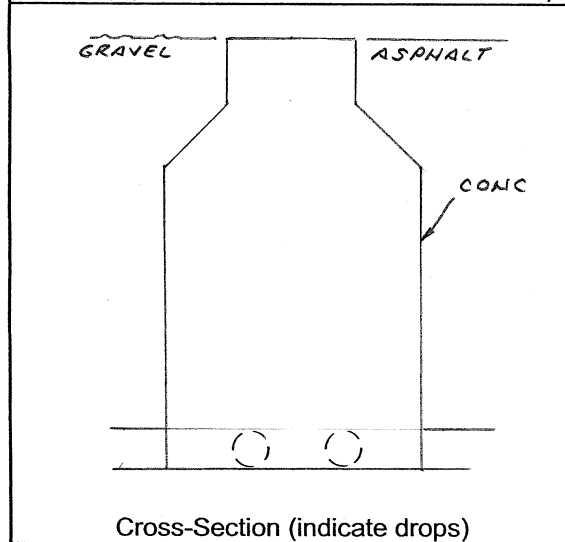
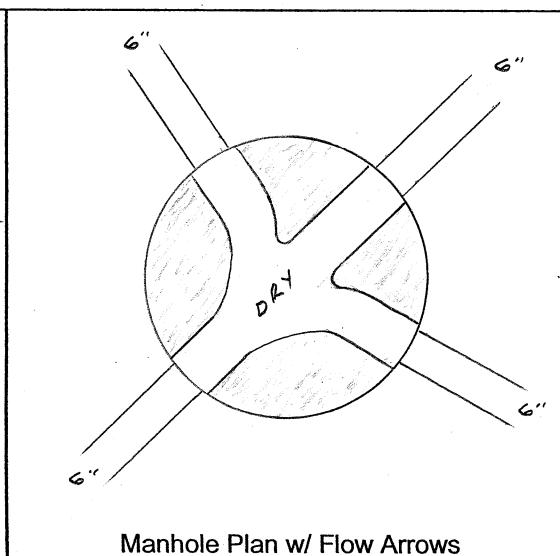
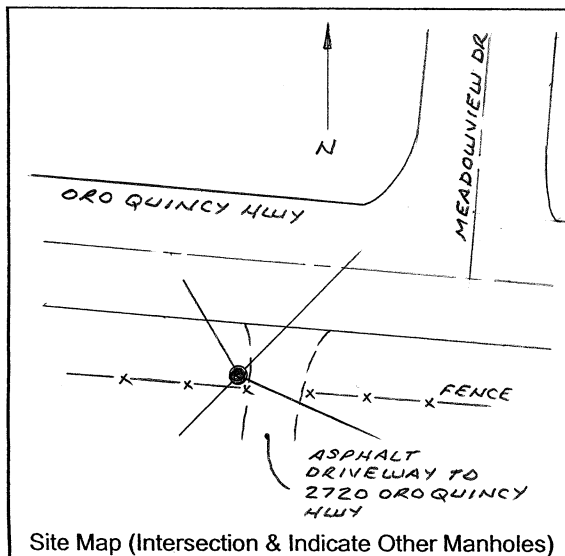
SURVEY INFORMATION DATA SHEET

SANITARY SEWER MASTER PLAN

CITY OF OROVILLE

Date: 6-28-7 2:20 PM

Initials RG JB



Other Site Information

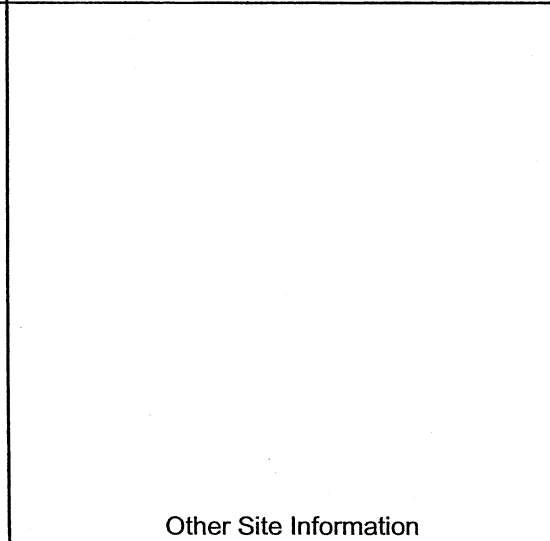
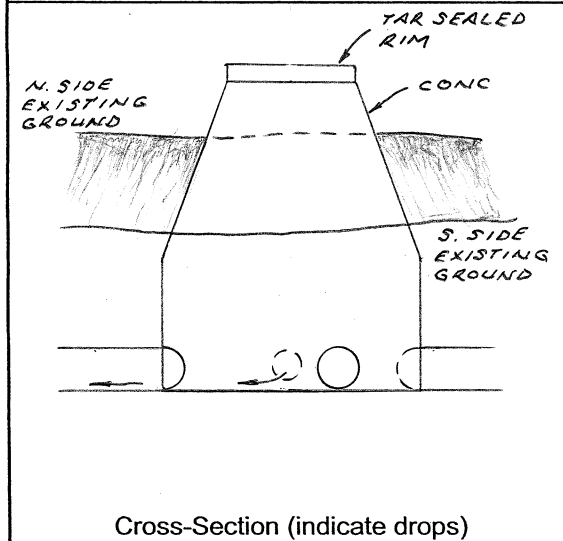
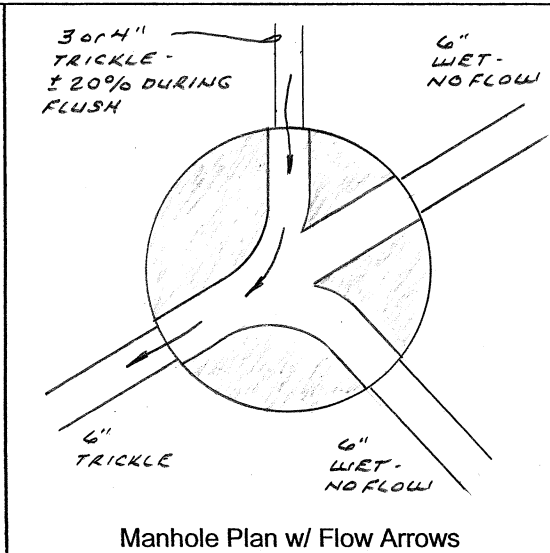
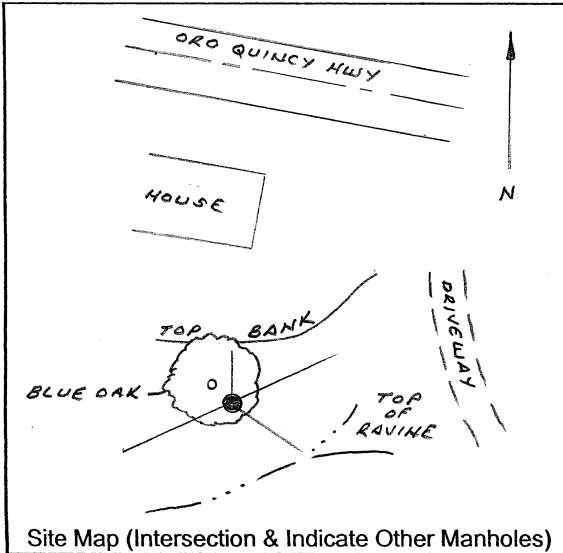
Town	Oroville			
Manhole Number	MM31	RAR 1207		
Intersection	S. SIDE ORO QUINCY AT MEADOWVIEW DR			
Weather	CLEAR HOT			
Surface Conditions	DRY, NORMAL			
Paved/Unpaved	UNPAVED			
Features	FLUSH TO GRAVEL & PAVEMENT			
Flow Conditions	NO EVIDENCE OF FLOW - EVER			
Surcharge	Yes <input checked="" type="checkbox"/> No			
Traffic Conditions	Heavy / Medium / Light <input checked="" type="checkbox"/> No Traffic			
Manhole Conditions	MANUFACTURED CONC			
Diameters (inches)	48"			
Condition	New <input checked="" type="checkbox"/> Good / OK / Bad / Deteriorating			
Depth (in feet)	5.57'			
Infiltration	Yes <input checked="" type="checkbox"/> No			
Invert Elevation				
Rim Elevation	503.61			
INVERT ELEVATIONS				
DIREC-TION	INVERT ELEV.	ENTERING/ LEAVING	MATERIAL	SIZE OF PIPE (in)
NE	498.12	Ø	CLAY	6"
SE	498.02	Ø	CLAY	6"
SW	497.95	Ø	CLAY	6"
NW	498.08	Ø	CLAY	6"

Other Remarks: _____

SURVEY INFORMATION DATA SHEET
SANITARY SEWER MASTER PLAN
CITY OF OROVILLE

Date: 7-6-7 10:50 AM

Initials RG JB



Town	Oroville			
Manhole Number	MM 30, NOT 29!		RAR 1206	
Intersection	TOP OF RAVINE			
Weather	CLEAR, HOT			
Surface Conditions	DRY, NORMAL			
Paved/Unpaved	UNPAVED			
Features	INSIDE MH CONC FLAKING *			
Flow Conditions	MINIMAL			
Surcharge	Yes <input type="checkbox"/> No <input checked="" type="checkbox"/>			
Traffic Conditions	Heavy / Medium / Light / <input checked="" type="checkbox"/> No Traffic			
Manhole Conditions	MANUFACTURED CONC			
Diameters (inches)	± 42"			
Condition	New / Good <input checked="" type="checkbox"/> Bad / Deteriorating			
Depth (in feet)	5.42			
Infiltration	Yes <input type="checkbox"/> No <input checked="" type="checkbox"/>			
Invert Elevation				
Rim Elevation	481.47			
INVERT ELEVATIONS				
DIREC-TION	INVERT ELEV.	ENTERING/ LEAVING	MATERIAL	SIZE OF PIPE (in)
N	476.06	IN	CLAY	3 or 4"
NE	476.05	IN	CLAY	6"
SE	475.99	IN	CLAY	6"
SW	475.87	OUT	CLAY!	6"

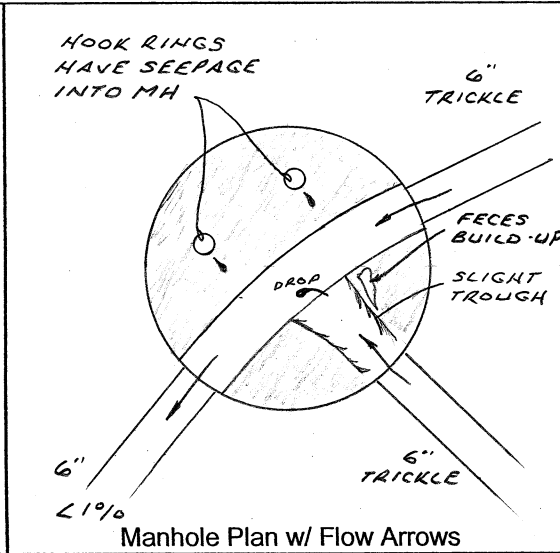
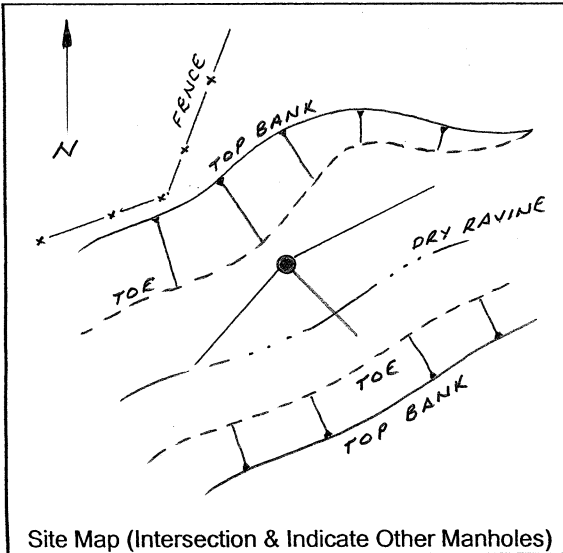
Other Remarks: THIS IS MM30, NOT MM29 AS ORIGINALLY IDENTIFIED

* RIM ± 10' ABOVE RAVINE

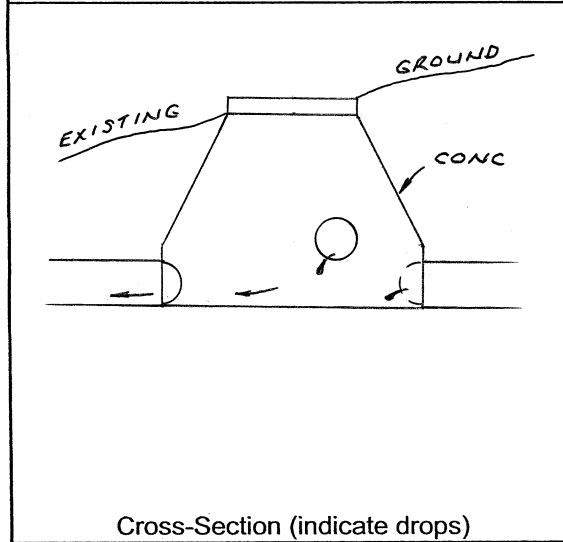
SURVEY INFORMATION DATA SHEET
SANITARY SEWER MASTER PLAN
CITY OF OROVILLE

Date: 7-6-7 11:10 AM

Initials RG JB



Town	Oroville
Manhole Number	MM 29, NOT MM 28A! RAR 1205
Intersection	DRY RAVINE
Weather	CLEAR, HOT
Surface Conditions	DRY, NORMAL
Paved/Unpaved	UNPAVED
Features	NEAR & RAVINE, FLUSH WITH GROUND*
Flow Conditions	MINIMAL
Surcharge	Yes <input checked="" type="checkbox"/> No
Traffic Conditions	Heavy / Medium / Light <input checked="" type="checkbox"/> No Traffic
Manhole Conditions	MANUFACTURED CONC
Diameters (inches)	± 36"
Condition	New <input checked="" type="checkbox"/> Good / OK / Bad / Deteriorating
Depth (in feet)	3.53'
Infiltration	SLIGHT <input checked="" type="checkbox"/> Yes / No
Invert Elevation	
Rim Elevation	462.91



Other Site Information

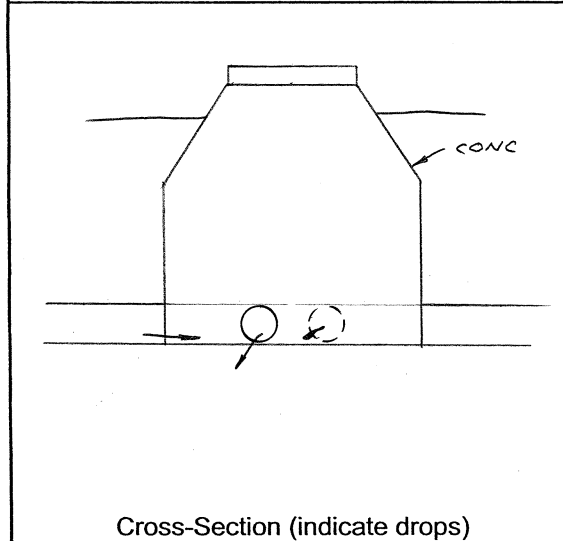
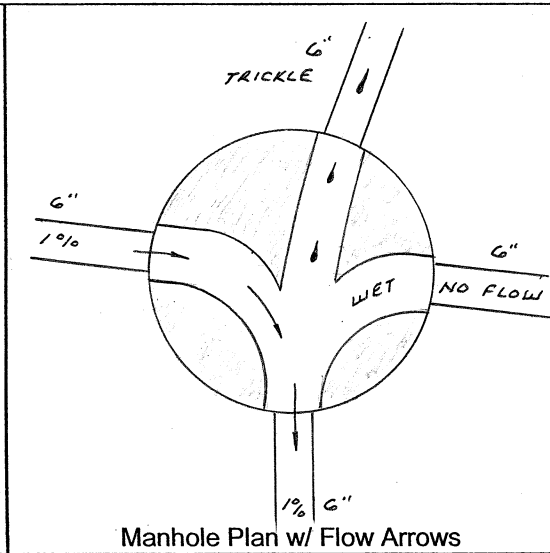
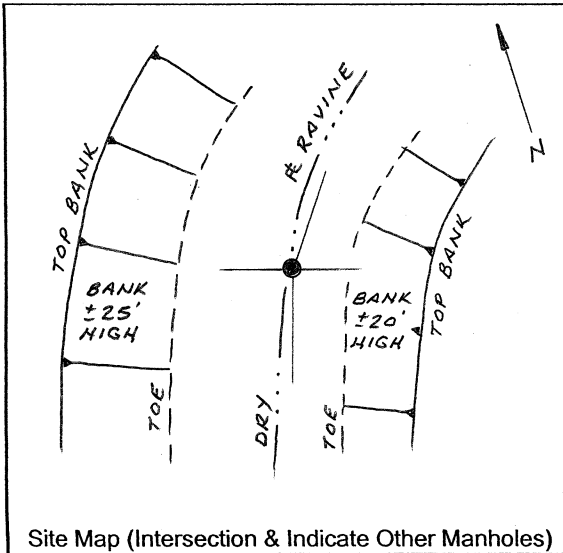
INVERT ELEVATIONS				
DIREC-TION	INVERT ELEV.	ENTERING/ LEAVING	MATERIAL	SIZE OF PIPE (in)
NE	459.38	IN	PVC!	6"
SE	460.45	IN	PVC	6"
SW	459.34	OUT	PVC	6"

Other Remarks: THIS IS MM 29, NOT MM 28A AS ORIGINALLY IDENTIFIED
* RIM FLUSH WITH & RAVINE

SURVEY INFORMATION DATA SHEET
 SANITARY SEWER MASTER PLAN
 CITY OF OROVILLE

Date: 7-6-7 11:20 AM

Initials RG JB



Other Site Information

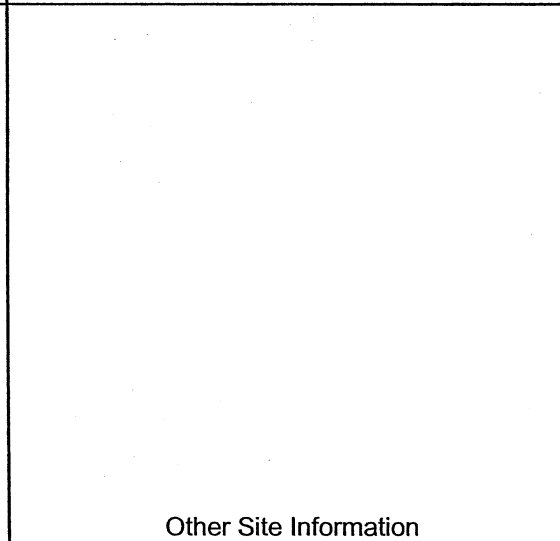
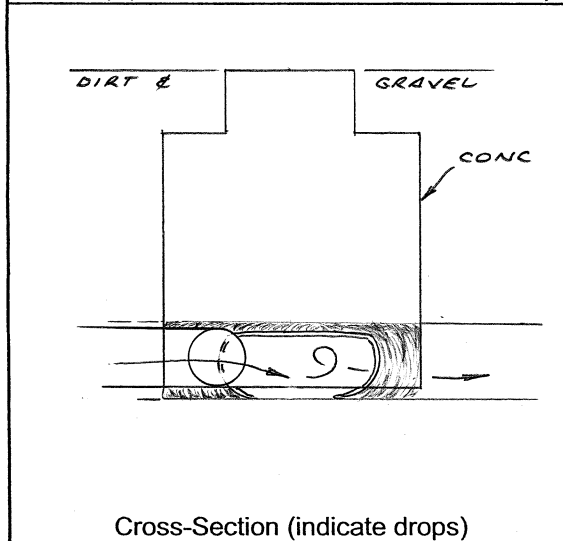
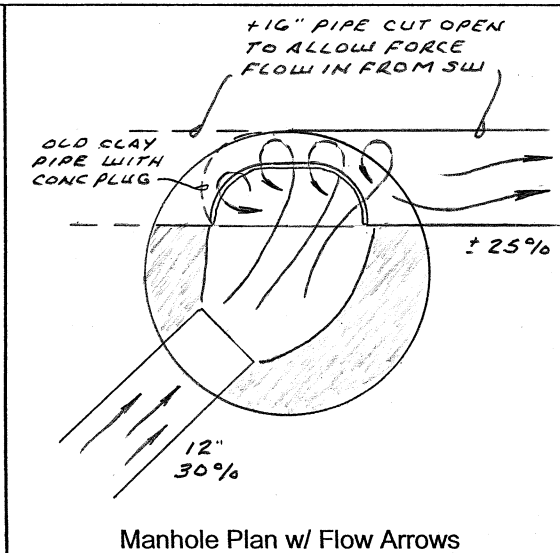
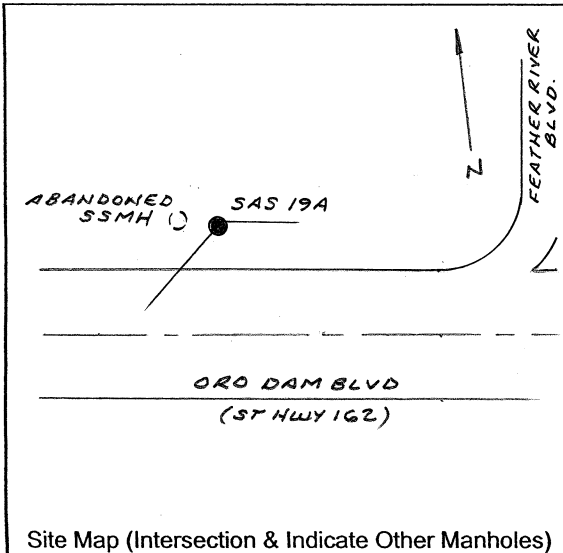
Town	Oroville			
Manhole Number	MM 28A, NOT 28! RAR 1204			
Intersection	RAVINE			
Weather	CLEAR, HOT			
Surface Conditions	DRY, NORMAL			
Paved/Unpaved	UNPAVED			
Features	RIM ±1.5' ABOVE DRY RAVINE			
Flow Conditions	MINIMAL			
Surcharge	Yes <input checked="" type="checkbox"/> No			
Traffic Conditions	Heavy / Medium / Light <input checked="" type="checkbox"/> No Traffic			
Manhole Conditions	MANUFACTURED CONC.			
Diameters (inches)	± 48"			
Condition	New <input checked="" type="checkbox"/> Good / OK / Bad / Deteriorating			
Depth (in feet)	4.41'			
Infiltration	Yes <input checked="" type="checkbox"/> No			
Invert Elevation				
Rim Elevation	448.30			
INVERT ELEVATIONS				
DIREC-TION	INVERT ELEV.	ENTERING/ LEAVING	MATERIAL	SIZE OF PIPE (in)
N	443.90	IN	CLAY	6"
E	443.91	IN	CLAY	6"
S	443.83	OUT	CLAY	6"
W	443.94	IN	CLAY	6"

Other Remarks: THIS IS MM 28A, NOT MM 28 AS ORIGINALLY IDENTIFIED

SURVEY INFORMATION DATA SHEET
SANITARY SEWER MASTER PLAN
CITY OF OROVILLE

Date: 7-6-7 1:20 PM

Initials RG JB



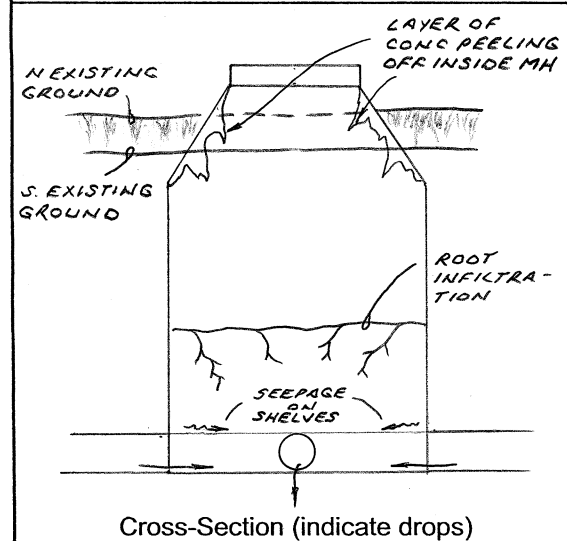
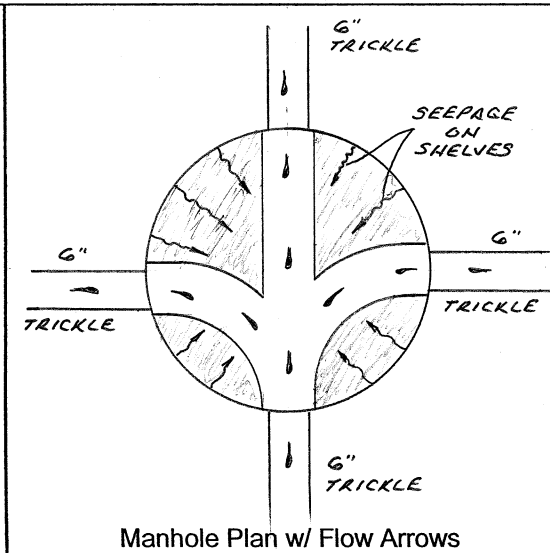
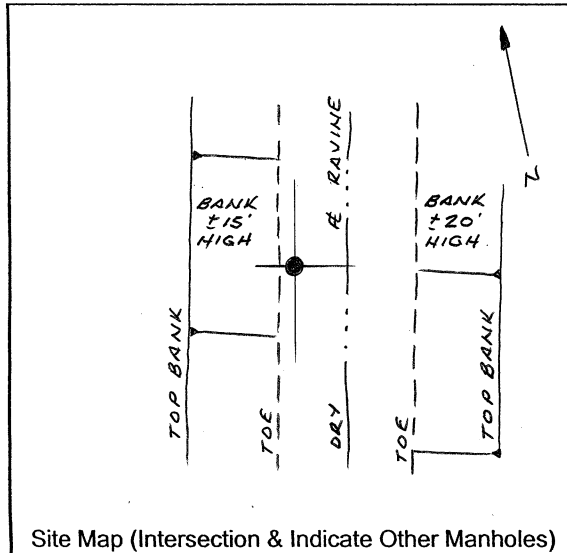
Town	Oroville			
Manhole Number	SAS 19A RAR 869			
Intersection	± 200' W FEATHER RIVER BLVD N. SIDE			
Weather	ORO DAM BLVD - CLEAR - HOT			
Surface Conditions	DRY, NORMAL			
Paved/Unpaved	UNPAVED			
Features				
Flow Conditions	VARIABLE FORCE INFLOW - FAST			
Surcharge	Yes <input checked="" type="checkbox"/> No			
Traffic Conditions	Heavy / Medium / Light <input checked="" type="checkbox"/> No Traffic			
Manhole Conditions	CUSTOM CONC TO FIT ON OLD PIPE			
Diameters (inches)	± 36"			
Condition	New <input checked="" type="checkbox"/> Good / OK / Bad / Deteriorating			
Depth (in feet)	3.84' (MH)			
Infiltration	Yes <input checked="" type="checkbox"/> No			
Invert Elevation				
Rim Elevation	162.79			
INVERT ELEVATIONS				
DIREC-TION	INVERT ELEV.	ENTERING/ LEAVING	MATERIAL	SIZE OF PIPE (in)
SW	158.95	IN	DUCT. IRON	12"
E	158.60	OUT	CLAY	± 16"
W	"	CONC PLUG	CLAY	± 16"

Other Remarks: FIRST GRAVITY FLOW MANHOLE COMING FROM WEST SCOR FORCE MAIN

SURVEY INFORMATION DATA SHEET
SANITARY SEWER MASTER PLAN
CITY OF OROVILLE

Date: 7-9-7 9:15 AM

Initials RG JB



Other Site Information

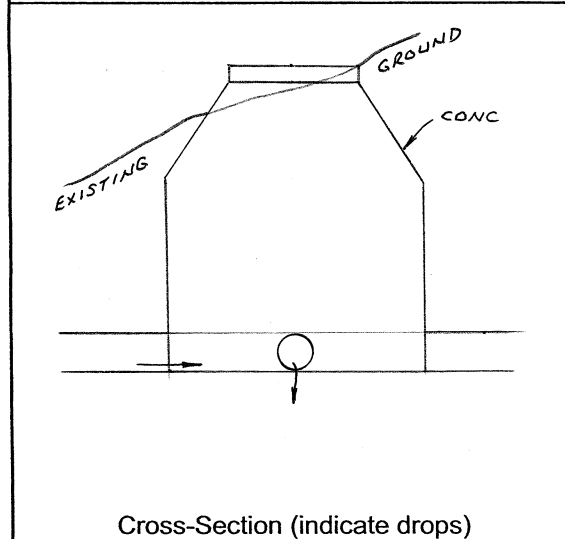
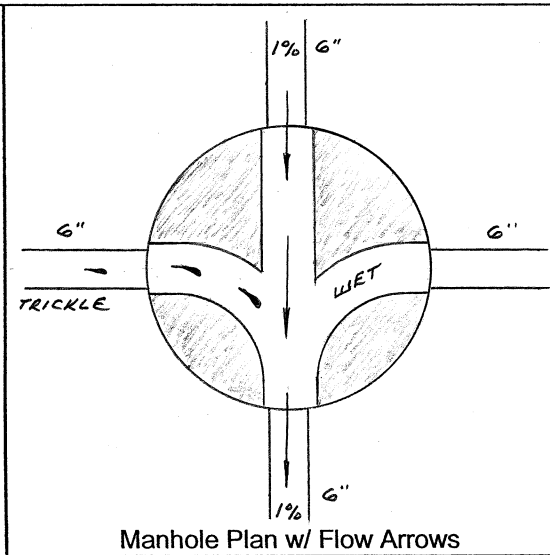
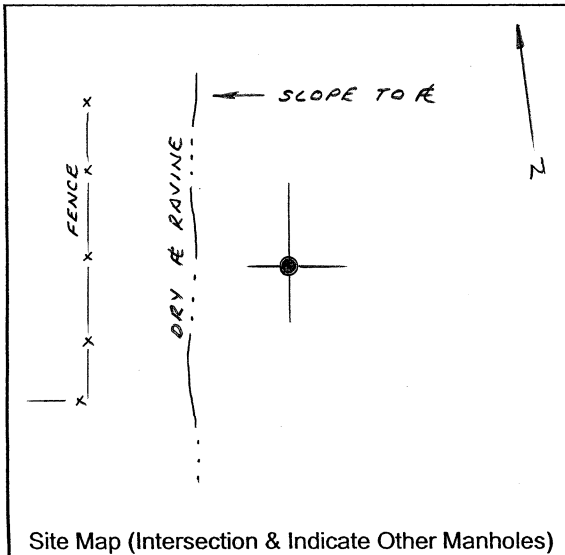
Town	Oroville			
Manhole Number	MM 28	RAR 1364		
Intersection	RAVINE			
Weather	CLEAR, HOT			
Surface Conditions	DRY, NORMAL			
Paved/Unpaved	UNPAVED			
Features	RIM ±1' ABOVE A DRY RAVINE			
Flow Conditions	LIGHT - FAST			
Surcharge	Yes <input type="checkbox"/> No <input checked="" type="checkbox"/>			
Traffic Conditions	Heavy / Medium / Light <input type="checkbox"/> No Traffic <input checked="" type="checkbox"/>			
Manhole Conditions	MANUFACTURED CONC			
Diameters (inches)	± 48"			
Condition	New / Good / OK / Bad <input type="checkbox"/> Deteriorating <input checked="" type="checkbox"/>			
Depth (in feet)	7.41			
Infiltration	Yes <input type="checkbox"/> No <input checked="" type="checkbox"/>			
Invert Elevation				
Rim Elevation	446.58			
INVERT ELEVATIONS				
DIREC-TION	INVERT ELEV.	ENTERING/ LEAVING	MATERIAL	SIZE OF PIPE (in)
N	439.23	IN	CLAY	6"
E	439.23	IN	CLAY	6"
S	439.01	OUT	CLAY	6"
W	439.17	IN	CLAY	6"

Other Remarks: PREVIOUSLY MISSED

SURVEY INFORMATION DATA SHEET
SANITARY SEWER MASTER PLAN
CITY OF OROVILLE

Date: 7-9-7 9:30 AM

Initials RG JB



Other Site Information

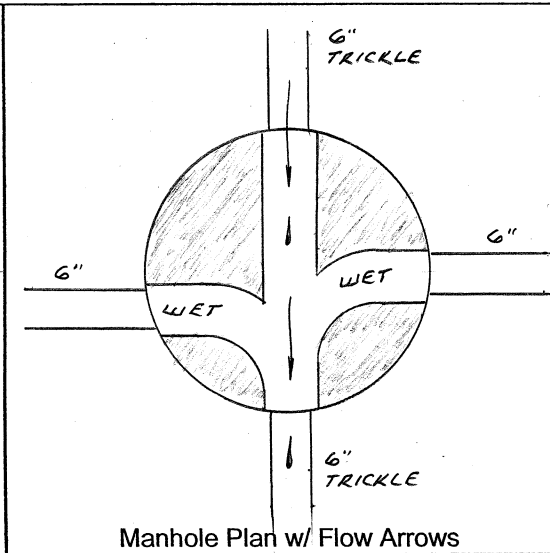
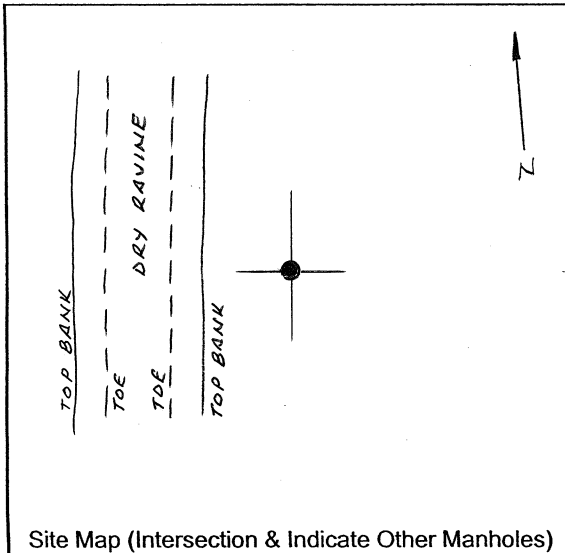
Town	Oroville			
Manhole Number	MM 27	RAR 1203		
Intersection	RAVINE			
Weather	CLEAR, HOT			
Surface Conditions	DRY, NORMAL			
Paved/Unpaved	UNPAVED			
Features	RIM ± 5' ABOVE R DRY RAVINE			
Flow Conditions	LIGHT - STEADY			
Surcharge	Yes <input type="checkbox"/> No <input checked="" type="checkbox"/>			
Traffic Conditions	Heavy / Medium / Light / <input checked="" type="checkbox"/> No Traffic			
Manhole Conditions	MANUFACTURED CONC.			
Diameters (inches)	± 48"			
Condition	New <input checked="" type="checkbox"/> Good <input type="checkbox"/> OK / Bad / Deteriorating			
Depth (in feet)	5.37'			
Infiltration	Yes <input type="checkbox"/> No <input checked="" type="checkbox"/>			
Invert Elevation				
Rim Elevation	431.89			
INVERT ELEVATIONS				
DIREC-TION	INVERT ELEV.	ENTERING/ LEAVING	MATERIAL	SIZE OF PIPE (in)
N	426.53	IN	CLAY	6"
E	426.57	IN	CLAY	6"
S	426.51	OUT	CLAY	6"
W	426.54	IN	CLAY	6"

Other Remarks: _____

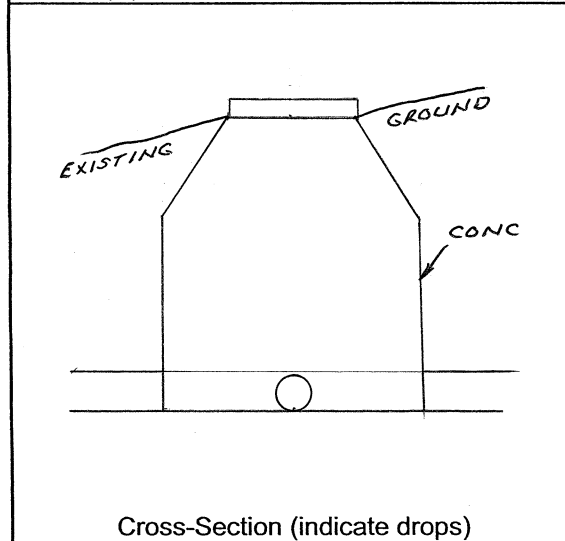
SURVEY INFORMATION DATA SHEET
SANITARY SEWER MASTER PLAN
CITY OF OROVILLE

Date: 7-9-7 9:50 AM

Initials RG JB



Town	Oroville
Manhole Number	MM 26 RAR 1202
Intersection	RAVINE
Weather	CLEAR, HOT
Surface Conditions	DRY, NORMAL
Paved/Unpaved	UNPAVED
Features	RIM IS ABOVE A DRY RAVINE
Flow Conditions	MINIMAL
Surcharge	Yes <input checked="" type="checkbox"/> No
Traffic Conditions	Heavy / Medium / Light / <input checked="" type="checkbox"/> No Traffic
Manhole Conditions	MANUFACTURED CONC
Diameters (inches)	± 42"
Condition	New <input checked="" type="checkbox"/> Good / OK / Bad / Deteriorating
Depth (in feet)	5.45'
Infiltration	Yes <input checked="" type="checkbox"/> No
Invert Elevation	
Rim Elevation	423.49



Other Site Information

INVERT ELEVATIONS				
DIREC-TION	INVERT ELEV.	ENTERING/ LEAVING	MATERIAL	SIZE OF PIPE (in)
N	418.07	IN	CLAY	6"
E	418.09	IN	CLAY	6"
S	417.93	OUT	CLAY	6"
W	418.04	IN	CLAY	6"

Other Remarks: _____

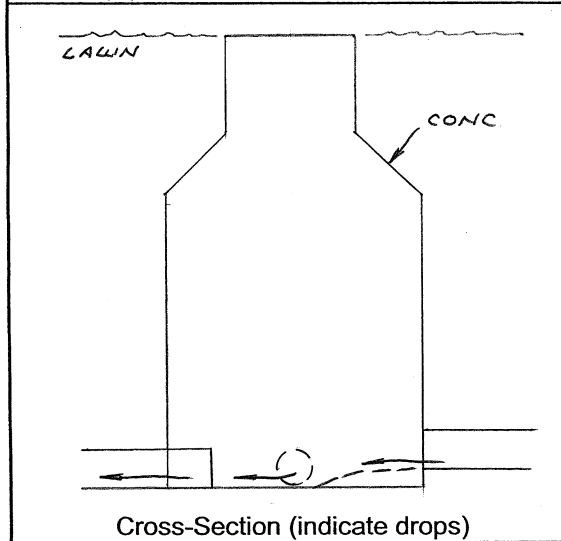
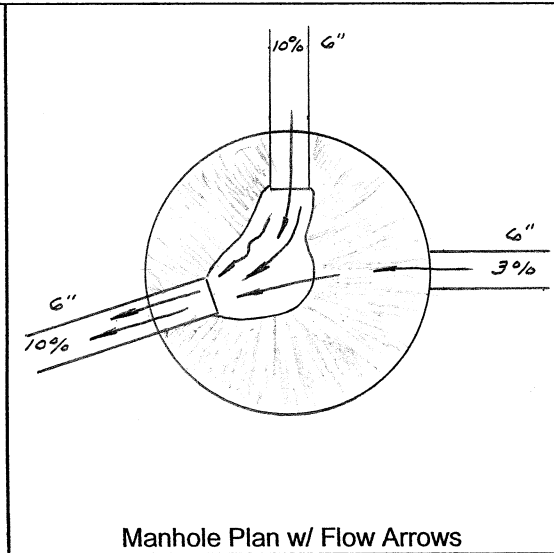
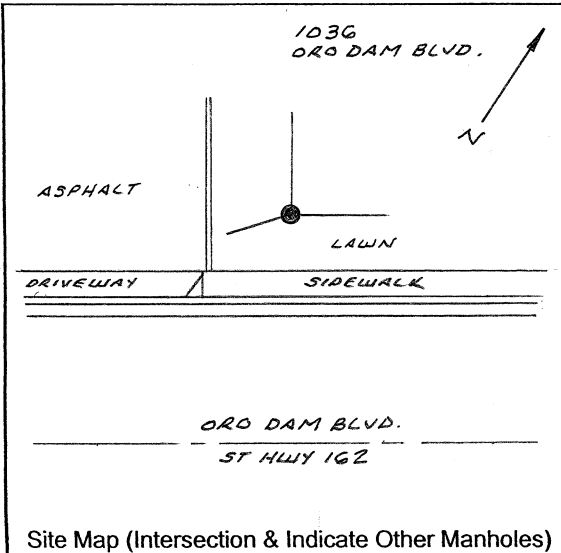
SURVEY INFORMATION DATA SHEET

SANITARY SEWER MASTER PLAN

CITY OF OROVILLE

Date: 7-10-7 8:00 AM

Initials RG JB



Other Site Information

Town	Oroville			
Manhole Number	50A RAR 857			
Intersection	± 500 E OF FEATHER RIVER BLVD ON N. SIDE ORO DAM BLVD ± 10' BEHIND SIDEWALK			
Weather	CLEAR, WARM			
Surface Conditions	DRY, NORMAL			
Paved/Unpaved	UNPAVED - LAWN			
Features	—			
Flow Conditions	MEDIUM - STEADY			
Surcharge	Yes <input checked="" type="checkbox"/> No			
Traffic Conditions	Heavy / Medium / Light <input checked="" type="checkbox"/> No Traffic			
Manhole Conditions	MANUFACTURED CONC			
Diameters (inches)	48"			
Condition	New <input checked="" type="checkbox"/> Good / OK / Bad / Deteriorating			
Depth (in feet)	10.13'			
Infiltration	Yes <input checked="" type="checkbox"/> No			
Invert Elevation				
Rim Elevation	161.27			
INVERT ELEVATIONS				
DIREC-TION	INVERT ELEV.	ENTERING/ LEAVING	MATERIAL	SIZE OF PIPE (in)
NW	151.18	IN	CLAY	6"
NE	151.70	IN	PVC	6"
SW	151.00	OUT	CLAY	6"

Other Remarks: _____